

PRODUCT INFORMATION PACKET

Model No: 143TTFBD6031

Catalog No: GT3101A

Close-Coupled Pump Motor, 1 HP, 3 Ph, 60 Hz, 230/460 V, 1800 RPM, 143JM Frame, TEFC



Regal and are trademarks of Regal Rexnord Corporation or one of its affiliated companies.
©2022 Regal Rexnord Corporation, All Rights Reserved. MC017097E

RegalRexnord

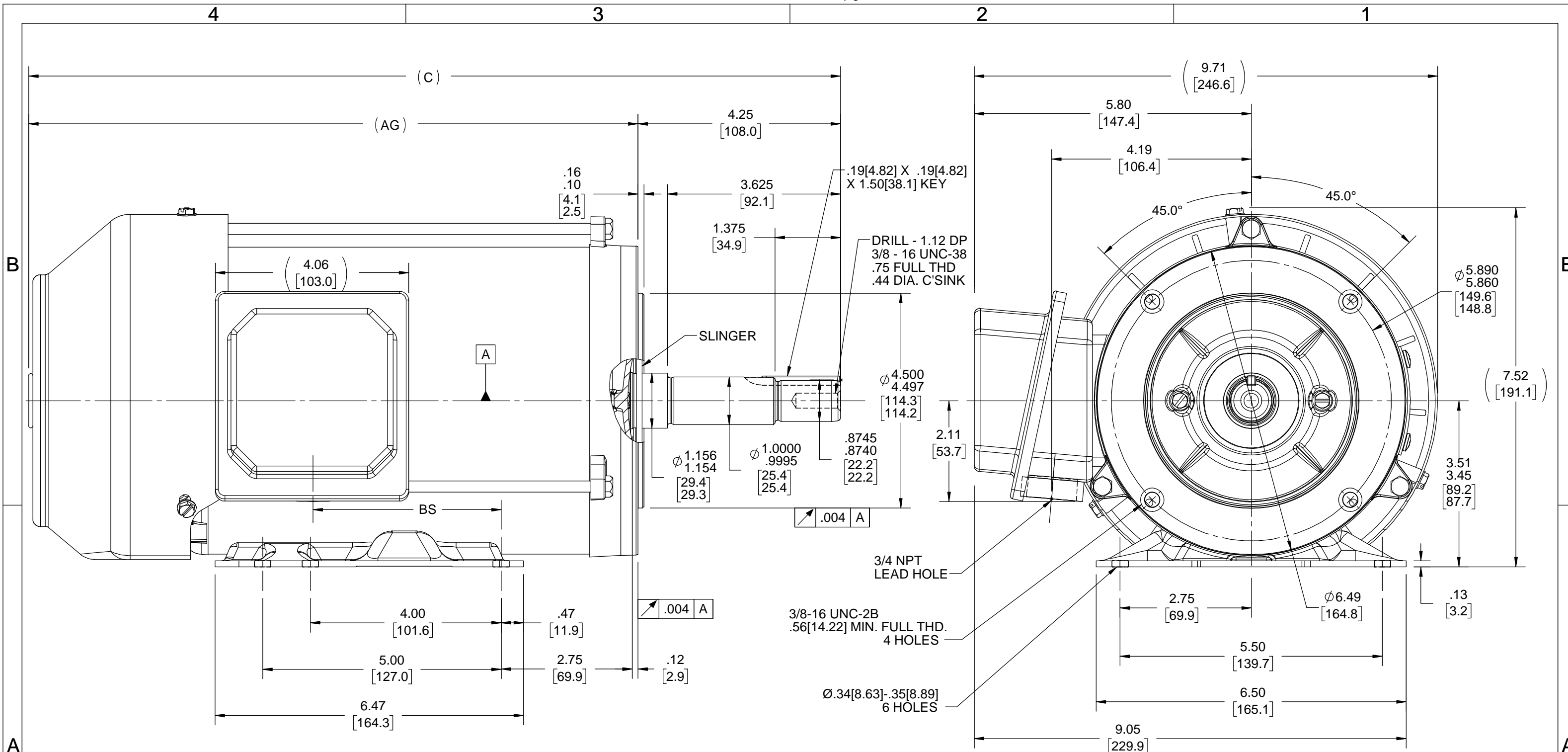
Nameplate Specifications

Output HP	1 Hp	Output KW	0.75 kW
Frequency	60 Hz	Voltage	230/460 V
Current	3.0/1.5 A	Speed	1755 rpm
Service Factor	1.15	Phase	3
Efficiency	85.5 %	Power Factor	74
Duty	Continuous	Insulation Class	F
Design Code	B	KVA Code	N
Frame	143JM	Enclosure	Totally Enclosed Fan Cooled
Thermal Protection	No Protection	Ambient Temperature	40 °C
Drive End Bearing Size	6206	Opp Drive End Bearing Size	6205
UL	Listed	CSA	Y
CE	Y	IP Code	43
Hazardous Location	DIVISION 2 T2B	Number of Speeds	1

Technical Specifications

Electrical Type	Squirrel Cage Inverter Rated	Starting Method	Line Or Inverter
Poles	4	Rotation	Reversible
Resistance Main	14.25 Ohms	Mounting	Bolt-on Base
Motor Orientation	Horizontal	Drive End Bearing	Ball
Opp Drive End Bearing	Ball	Frame Material	Rolled Steel
Shaft Type	JM	Shaft Diameter	1.000 in
Assembly/Box Mounting	F1/F2 CAPABLE	Inverter Load	CONSTANT 10:1/VARIABLE 10:1
Connection Drawing	EE7308	Outline Drawing	SS621064-800

This is an uncontrolled document once printed or downloaded and is subject to change without notice. Date Created:09/16/2022



DASH NO	"C"	"AG"	"BS"
800	17.03	12.77	3.945
850	17.53	13.27	4.445
900	18.03	13.77	4.945

DRAWING REVISION D	REVISION BY SAS	REV DATE/© DATE 10/29/2020
ECO ECO-0193875	APPROVED BY JAY	DATE 10/29/2020
ECO DESCRIPTION CHANGED AS PER REVISED BASE		
<small>COPYRIGHT (PER REVISION DATE) REGAL BELOIT AMERICA, INC. ALL RIGHTS RESERVED. PROPRIETARY AND CONFIDENTIAL INFORMATION - THIS DOCUMENT IS THE PROPERTY OF REGAL BELOIT AMERICA, INC. ("OWNER") AND CONTAINS OWNER'S PROPRIETARY INFORMATION. ANY PERSON, CORPORATION OR OTHER FIRM RECEIVING IT IS DEEMED, BY RECEIVING IT, TO AGREE THAT IT, AND/OR ANY PART OF IT, SHALL NOT BE DISCLOSED TO ANY PERSON, CORPORATION OR OTHER ENTITY, DUPLICATED, AND/OR USED, EXCEPT AS EXPRESSLY APPROVED IN WRITING IN ADVANCE BY OWNER. THIS DOCUMENT SHALL BE RETURNED TO OWNER UPON REQUEST. IT MAY BE SUBJECT TO CERTAIN RESTRICTIONS UNDER APPLICABLE EXPORT CONTROL LAWS AND REGULATIONS.</small>		

TOLERANCES (EXCEPT AS NOTED):
 DEC. INCH mm ANGLE
 .X ±0.1 [±3] ±7' 30"
 .XX ±0.03 [±0.8]
 .XXX ±0.005 [±0.13]
 .XXXX ±0.0005 [±0.013]
 REMOVE BURRS & BREAK SHARP EDGES: .003/.015 [.08/.38] X 45°
 CORNER FILLETS: R.02 [.5]
 MACHINED SURFACES: 200/ INCH 5.1 mm
 mm DIMENSIONS IN [BRACKETS] ARE FOR REFERENCE ONLY

DRAWN BY SAS	DATE 09/09/2020
APPROVED BY CD	DATE 09/09/2020
REFERENCE	
THIRD ANGLE PROJECTION	

REGAL Regal Beloit America, Inc.

DESCRIPTION
OUTLINE
143/145JM FR-TEFC-RS

MATERIAL PROCESS/FINISH

SIZE B DRAWING NUMBER **SS621064** SHEET 1 OF 1



NO.	REVISION	BY & DATE	CHK	ANG	±7'30"	FINISH	PREV
5	CHG TO REGAL LOGO	SL 09/10/2015	AB	DEC.	INCHES		
4	REVISED IEC NOTATIONS	MSG 11/15/2011	CMN	.X	±.1		
3	ADDED IEC NOTATIONS... (U1), (V1) ETC. MU95194	MSG 5/10/2010	MJS	.XX	±.02		
2	ADDED THE OPTIONAL CORD CONNECTION MU46318	RDH 04/24/2003	DRS	.XXX	±.005		
1	REDRAWN	RM 11/20/1990		.XXXX	±.0005		
TOLERANCES UNLESS SPECIFIED						DRAWN RM 11/20/1990	
REGAL™ Regal Beloit America, Inc.						CHK ML 11/21/1990	
TITLE CONNECTION DIAGRAM						APPD SAS 04/24/2003	
3Ø - DUAL VOLTAGE MOTOR						SCALE 1=1	
MAT'L.						REF	
RFP						FMF	
CAD FILE ee7308						PREV	
DIST WP						SIZE A	DRAWING NO. EE7308
THIS DRAWING IN DESIGN AND DETAIL IS OUR PROPERTY AND MUST NOT BE USED EXCEPT IN CONNECTION WITH OUR WORK ALL RIGHTS OF DESIGN AND INVENTION ARE RESERVED THIS IS AN ELECTRONICALLY GENERATED DOCUMENT - DO NOT SCALE THIS PRINT						PAGE OF	REV. 5

EC Declaration of Conformity

The undersigned representing
the manufacturer:

Regal Beloit America
100 East Randolph St.
Wausau, WI 54401

and the authorized representative
established within the Community:

Marathon Electric UK
6F Thistleton Road Ind. Estate
Market Overton
Oakham, Rutland LE15 7PP UK

are committed to providing customers with products that comply with applicable regulations and international protocols to which they are subject, including the requirements of the European Parliament Directive on the Harmonization of the laws relating to electrical equipment designed for use within certain voltage limits (2014/35/EU).

Regal Beloit America declares that the following product(s), to which this declaration relates, are in conformity with the relevant sections of the EC standards listed below.

This statement supersedes any statements previously issued pertaining to the product(s) listed below and is subject to change without notice.

Model No : 143TTFB6031

(Model No. may contain prefix and/or suffix characters)

Catalog No : GT3101A

Rework No : N/A

Directives :

Low Voltage Directive 2014/35/EU

Harmonized Standards Used :

EN 60034-1: 2010 (IEC 60034-1: 2010)

EN 60034-5: 2001/A1:2007 (IEC 60034-5: 2000/A1:2006)

Authorized Representative:



Michael A. Logsdon
Vice President, Technology

Authorized Representative in the Community:



Julian Clark
Marketing Engineer

Created on 09/01/2022

CE 22