

Maximum Rating Tables

Size 826 • GR, NH, EL Series



Style B

Style H



Size 826

| Ratio | Input RPM | Output RPM | Input HP | Output HP | Output Torque (lb-in) | Left Hand Catalog No. | Right Hand Catalog No. | Double Extension Catalog No. | Hollow Output Catalog No.* |
|-------|-----------|------------|----------|-----------|-----------------------|-----------------------|------------------------|------------------------------|----------------------------|
| 5 | 2500 | 500 | 7.946 | 7.486 | 944 | _8260001 | _8260013 | _8260025 | _8260501.XX |
| | 1750 | 350 | 6.693 | 6.276 | 1130 | | | | |
| | 1170 | 234 | 5.439 | 5.061 | 1363 | | | | |
| | 100 | 20 | 0.844 | 0.638 | 2010 | | | | |
| 7.5 | 2500 | 333 | 5.877 | 5.453 | 1031 | _8260002 | _8260014 | _8260026 | _8260502.XX |
| | 1750 | 233 | 4.956 | 4.571 | 1235 | | | | |
| | 1170 | 156 | 4.018 | 3.671 | 1483 | | | | |
| | 100 | 13 | 0.640 | 0.458 | 2166 | | | | |
| 10 | 2500 | 250 | 5.338 | 4.904 | 1236 | _8260003 | _8260015 | _8260027 | _8260503.XX |
| | 1750 | 175 | 4.492 | 4.097 | 1475 | | | | |
| | 1170 | 117 | 3.579 | 3.226 | 1738 | | | | |
| | 100 | 10 | 0.572 | 0.386 | 2431 | | | | |
| 15 | 2500 | 166 | 4.316 | 3.881 | 1468 | _8260004 | _8260016 | _8260028 | _8260504.XX |
| | 1750 | 116 | 3.614 | 3.216 | 1737 | | | | |
| | 1170 | 78 | 2.821 | 2.468 | 1994 | | | | |
| | 100 | 6.7 | 0.467 | 0.279 | 2637 | | | | |
| 20 | 2500 | 125 | 3.503 | 3.050 | 1538 | _8260005 | _8260017 | _8260029 | _8260505.XX |
| | 1750 | 87 | 2.965 | 2.549 | 1836 | | | | |
| | 1170 | 58 | 2.339 | 1.970 | 2123 | | | | |
| | 100 | 5.0 | 0.419 | 0.226 | 2849 | | | | |
| 25 | 2500 | 100 | 2.955 | 2.505 | 1579 | _8260006 | _8260018 | _8260030 | _8260506.XX |
| | 1750 | 70 | 2.487 | 2.076 | 1869 | | | | |
| | 1170 | 46 | 1.957 | 1.594 | 2146 | | | | |
| | 100 | 4.0 | 0.370 | 0.180 | 2837 | | | | |
| 30 | 2500 | 83 | 2.556 | 2.115 | 1600 | _8260007 | _8260019 | _8260031 | _8260507.XX |
| | 1750 | 58 | 2.145 | 1.743 | 1883 | | | | |
| | 1170 | 39 | 1.687 | 1.332 | 2152 | | | | |
| | 100 | 3.3 | 0.335 | 0.149 | 2816 | | | | |
| 40 | 2500 | 62 | 1.989 | 1.545 | 1558 | _8260008 | _8260020 | _8260032 | _8260508.XX |
| | 1750 | 43 | 1.695 | 1.287 | 1854 | | | | |
| | 1170 | 29 | 1.354 | 0.993 | 2139 | | | | |
| | 100 | 2.5 | 0.299 | 0.113 | 2857 | | | | |
| 50 | 2500 | 50 | 1.672 | 1.237 | 1560 | _8260009 | _8260021 | _8260033 | _8260509.XX |
| | 1750 | 35 | 1.420 | 1.023 | 1843 | | | | |
| | 1170 | 23 | 1.135 | 0.784 | 2112 | | | | |
| | 100 | 2.0 | 0.269 | 0.088 | 2783 | | | | |
| 60 | 2500 | 41 | 1.433 | 1.015 | 1536 | _8260010 | _8260022 | _8260034 | _8260510.XX |
| | 1750 | 29 | 1.216 | 0.835 | 1805 | | | | |
| | 1170 | 19 | 0.973 | 0.637 | 2060 | | | | |
| | 100 | 1.7 | 0.245 | 0.071 | 2689 | | | | |
| 80 | 2500 | 31 | 0.659 | 0.456 | 919 | _8260011 | _8260023 | _8260035 | _8260511.XX |
| | 1750 | 21 | 0.577 | 0.379 | 1092 | | | | |
| | 1170 | 14 | 0.469 | 0.289 | 1247 | | | | |
| | 100 | 1.3 | 0.070 | 0.032 | 1593 | | | | |
| 100 | 2500 | 25 | 0.441 | 0.286 | 721 | _8260012 | _8260024 | _8260036 | _8260512.XX |
| | 1750 | 17 | 0.386 | 0.236 | 851 | | | | |
| | 1170 | 11 | 0.314 | 0.179 | 966 | | | | |
| | 100 | 1.0 | 0.048 | 0.019 | 1222 | | | | |

How To Build a Part Number For Size GR826, GRG826, GRL826, NH826, EL826

1. Select partial catalog number from the selection table
2. Replace leading “_” with series code (GR, GRG, GRL, NH, EL)
3. For hollow output, replace “XX” suffix with bore code (see next page for codes)

Example:

Grove Gear IRONMAN, hollow output shaft, 5:1 ratio, 180TC coupling input
 GR-HMQ826-5-180TC-19
 GR8260537.19

GRG = GROVE GEAR

- Direct replacement to Grove Gear Flexaline
- 1-1/4” solid output shaft diameter
- For hollow bores, specify GRL Interchange
- Solid output shaft only



GRL = IRONMAN Interchange

- Direct replacement to LEESON IRONMAN & major brands.
- Hollow shaft option available
- 1-1/8” solid output shaft diameter



Maximum Rating Tables

Size 826 • GR, NH, EL Series

Single Reduction
Worm Gear Reducers

Double Reduction
Worm - Worm Gear Reducers

Double Reduction
Helical - Worm Gear Reducers

WASHGUARD® Reducers
and GEAR+MOTOR™

Ratio Multipliers

Accessories and
Additional Capabilities

| NEMA C Input Flange ▲ | Style BM | | | Style HM | Style BMQ | | | Style HMQ | Ratio |
|-----------------------------|-------------------------------|-------------------------------|---------------------------------|--|-------------------------------|-------------------------------|---------------------------------|--|-------|
| | Left Hand Catalog No. | Right Hand Catalog No. | Double Extension Catalog No. | Hollow Output Catalog No.* | Left Hand Catalog No. | Right Hand Catalog No. | Double Extension Catalog No. | Hollow Output Catalog No.* | |
| 143-5TC 182-4TC | 8260073 8260109 | 8260085 8260121 | 8260097 8260133 | 8260525.XX 8260537.XX | 8260181 8260217 | 8260193 8260229 | 8260205 8260241 | 8260561.XX 8260573.XX | 5 |
| 143-5TC 182-4TC | 8260074 8260110 | 8260086 8260122 | 8260098 8260134 | 8260526.XX 8260538.XX | 8260182 8260218 | 8260194 8260230 | 8260206 8260242 | 8260562.XX 8260574.XX | 7.5 |
| 143-5TC 182-4TC | 8260075 8260111 | 8260087 8260123 | 8260099 8260135 | 8260527.XX 8260539.XX | 8260183 8260219 | 8260195 8260231 | 8260207 8260243 | 8260563.XX 8260575.XX | 10 |
| 143-5TC 182-4TC | 8260076 8260112 | 8260088 8260124 | 8260100 8260136 | 8260528.XX 8260540.XX | 8260184 8260220 | 8260196 8260232 | 8260208 8260244 | 8260564.XX 8260576.XX | 15 |
| 56C 143-5TC 182-4TC | 8260041 8260077 8260113 | 8260053 8260089 8260125 | 8260065 8260101 8260137 | 8260517.XX 8260529.XX 8260541.XX | 8260149 8260185 8260221 | 8260161 8260197 8260233 | 8260173 8260209 8260245 | 8260553.XX 8260565.XX 8260577.XX | 20 |
| 56C 143-5TC | 8260042 8260078 | 8260054 8260090 | 8260066 8260102 | 8260518.XX 8260530.XX | 8260150 8260186 | 8260162 8260198 | 8260174 8260210 | 8260554.XX 8260566.XX | 25 |
| 56C 143-5TC | 8260043 8260079 | 8260055 8260091 | 8260067 8260103 | 8260519.XX 8260531.XX | 8260151 8260187 | 8260163 8260199 | 8260175 8260211 | 8260555.XX 8260567.XX | 30 |
| 56C 143-5TC | 8260044 8260080 | 8260056 8260092 | 8260068 8260104 | 8260520.XX 8260532.XX | 8260152 8260188 | 8260164 8260200 | 8260176 8260212 | 8260556.XX 8260568.XX | 40 |
| 56C 143-5TC | 8260045 8260081 | 8260057 8260093 | 8260069 8260105 | 8260521.XX 8260533.XX | 8260153 8260189 | 8260165 8260201 | 8260177 8260213 | 8260557.XX 8260569.XX | 50 |
| 56C 143-5TC | 8260046 8260082 | 8260058 8260094 | 8260070 8260106 | 8260522.XX 8260534.XX | 8260154 8260190 | 8260166 8260202 | 8260178 8260214 | 8260558.XX 8260570.XX | 60 |
| 56C 143-5TC | 8260047 8260083 | 8260059 8260095 | 8260071 8260107 | 8260523.XX 8260535.XX | 8260155 8260191 | 8260167 8260203 | 8260179 8260215 | 8260559.XX 8260571.XX | 80 |
| 56C | 8260048 | 8260060 | 8260072 | 8260524.XX | 8260156 | 8260168 | 8260180 | 8260560.XX | 100 |

For input/ output shaft overhung load and thrust load ratings, refer to pages 419-422.

▲ Consult Factory for other motor flanges available.

* Catalog numbers are for hollow output shaft reducers.

When ordering, substitute the XX suffix with the required output bore code.

Available bore codes

| Fraction Size | 1" | 1-1/8" | 1-3/16" | 1-1/4" | 1-7/16" | 1-1/2" |
|------------------|-------|--------|---------|--------|---------|--------|
| Decimal Size | 1.000 | 1.125 | 1.188 | 1.250 | 1.438 | 1.500 |
| Output Bore Code | 16 | 18 | 19 | 20 | 23 | 24 |



GR Series Dimensions

Styles: TMQ, TM, T

CAST IRON
GR SERIES

Single Reduction
Worm Gear Reducers

Double Reduction
Worm - Worm Gear Reducers

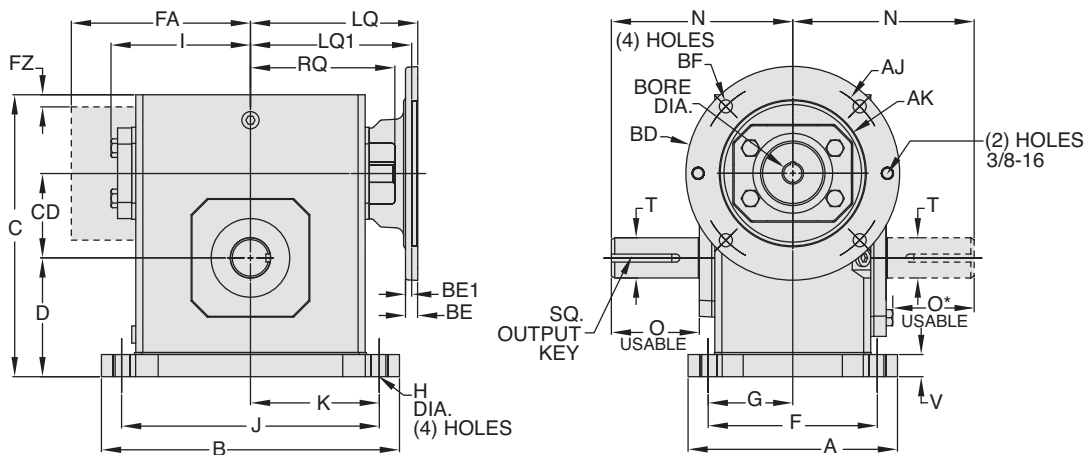
Double Reduction
Helical - Worm Gear Reducers

WASHGUARD® Reducers
and GEAR+MOTOR™

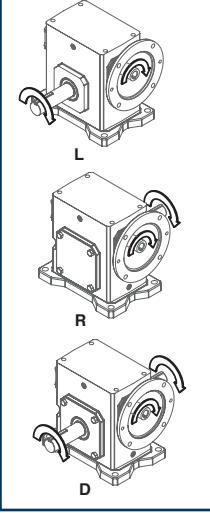
Ratio Multipliers

Accessories and
Additional Capabilities

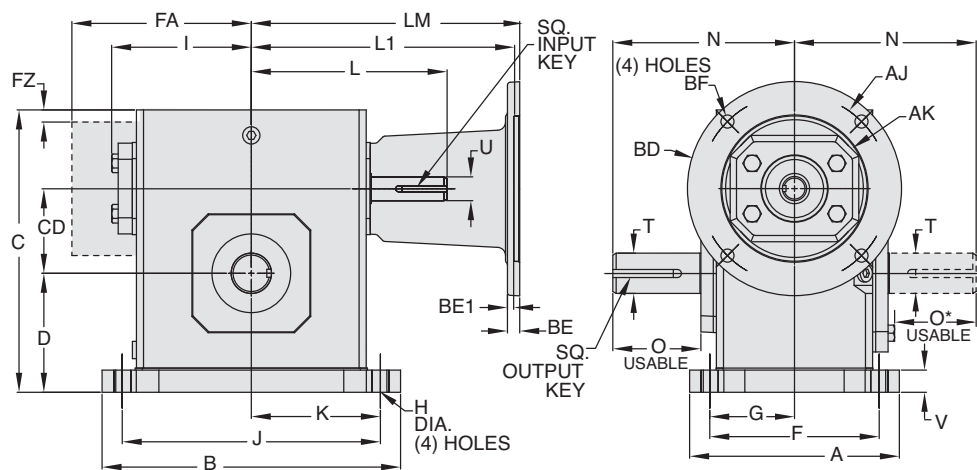
Style TMQ



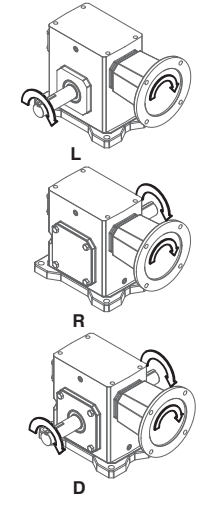
ASSEMBLIES



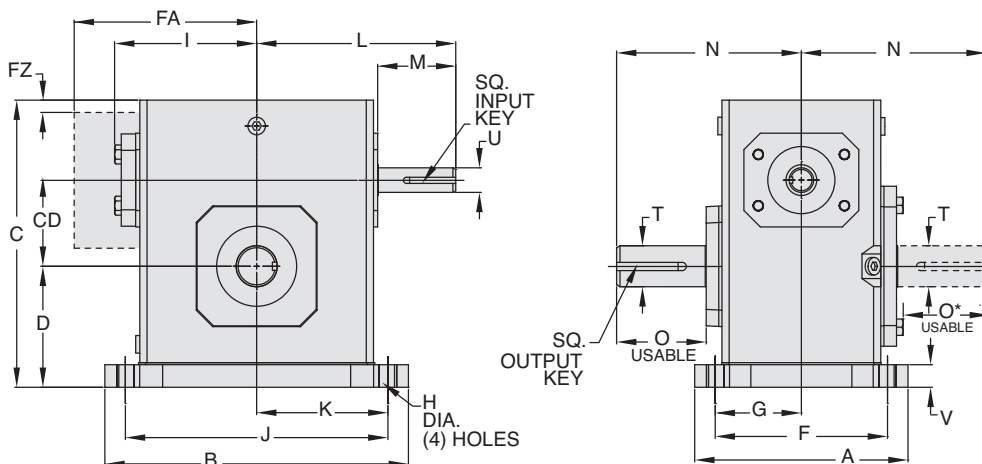
Style TM



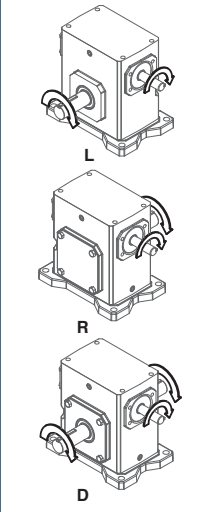
ASSEMBLIES



Style T



ASSEMBLIES



REVERSE ALL ARROWS FOR OPPOSITE INPUT SHAFT ROTATION. CONTACT FACTORY FOR OTHER MOUNTINGS OR ASSEMBLY POSITIONS.



STYLE TMQ, TM, T DIMENSIONS (Inches)

| Size | A | B | C | D | CD | F | FA ▼ | FZ ▼ | G | H | I | J | K | L | M | N | O | O* | V | T +0.000 -0.0015 | U +0.000 -0.0015 | Input Key# | Output Key |
|--------|-------|-------|-------|-------|-------|-------|-------|------|------|------|------|-------|------|-------|------|-------|------|------|------|------------------------|------------------------|---------------|---------------|
| GR813 | 5.38 | 5.37 | 5.19 | 2.25 | 1.33 | 3.31 | N/A | N/A | 1.66 | .34 | 2.61 | 4.37 | 2.19 | 3.82 | 1.76 | 4.00 | 2.16 | 1.94 | 0.53 | .625 | .500 | 1/8 X 1.00 | 3/16 X 1.50 |
| GR815 | 5.56 | 6.50 | 5.97 | 2.50 | 1.54 | 4.31 | N/A | N/A | 2.16 | .41 | 3.14 | 5.25 | 2.63 | 4.35 | 1.76 | 4.31 | 2.11 | 1.90 | 0.59 | .750 | .625 | 3/16 X 1.38 | 3/16 X 1.50 |
| GR818 | 5.75 | 6.99 | 6.44 | 2.75 | 1.75 | 4.50 | N/A | N/A | 2.25 | .41 | 3.24 | 5.75 | 2.88 | 4.45 | 1.76 | 4.31 | 2.05 | 1.84 | 0.69 | .875 | .625 | 3/16 X 1.38 | 3/16 X 1.38 |
| GR821 | 6.00 | 7.69 | 7.09 | 3.00 | 2.06 | 4.69 | N/A | N/A | 2.34 | .47 | 3.61 | 6.38 | 3.19 | 4.82 | 1.76 | 4.68 | 2.29 | 2.08 | 0.72 | 1.000 | .625 | 3/16 X 1.38 | 1/4 X 1.44 |
| GR824 | 6.19 | 8.37 | 7.69 | 3.25 | 2.38 | 4.88 | N/A | N/A | 2.44 | .49 | 3.77 | 7.06 | 3.53 | 5.51 | 2.38 | 5.14 | 2.66 | 2.44 | 0.75 | 1.125 | .750 | 3/16 X 1.63 | 1/4 X 1.75 |
| GR826 | 6.50 | 9.25 | 8.75 | 3.69 | 2.63 | 5.25 | N/A | N/A | 2.63 | .53 | 4.34 | 8.00 | 4.00 | 6.07 | 2.38 | 5.63 | 2.73 | 2.52 | 0.75 | ▲ | .750 | 3/16 X 1.63 | 1/4 X 1.75 |
| GR830 | 7.50 | 10.00 | 9.63 | 4.00 | 3.00 | 5.88 | N/A | N/A | 2.94 | .53 | 4.84 | 8.44 | 4.22 | 6.57 | 2.38 | 6.75 | 3.60 | 3.36 | 0.75 | 1.250 | .875 | 3/16 X 1.63 | 1/4 X 1.75 |
| GR832 | 7.75 | 11.12 | 10.25 | 4.38 | 3.25 | 6.13 | N/A | N/A | 3.06 | .53 | 5.02 | 9.50 | 4.75 | 6.76 | 2.38 | 7.06 | 3.66 | 3.42 | 0.81 | ▲ | .875 | 3/16 X 1.63 | 3/8 X 2.25 |
| GR842 | 9.75 | 13.24 | 12.38 | 5.44 | 4.25 | 7.63 | N/A | N/A | 3.81 | .66 | 6.10 | 11.12 | 5.56 | 9.57 | 3.47 | 8.12 | 4.50 | 4.21 | 1.00 | 1.875 | 1.250 | 1/4 X 2.50 | 1/2 X 3.06 |
| GR852 | 10.50 | 16.24 | 15.13 | 6.25 | 5.25 | 8.38 | N/A | N/A | 4.19 | .78 | 7.50 | 14.12 | 7.06 | 10.88 | 3.38 | 9.06 | 4.78 | 4.53 | 1.13 | 2.000 | 1.250 | 1/4 X 3.00 | 1/2 X 3.50 |
| GR860 | 12.00 | 18.99 | 17.75 | 7.75 | 6.00 | 9.50 | 11.13 | 0.33 | 4.75 | .91 | N/A | 16.49 | 8.25 | 11.78 | 3.41 | 10.00 | 4.65 | 4.65 | 1.25 | 2.500 | 1.500 | 3/8 X 3.00 | 5/8 X 4.00 |
| GR870 | 13.38 | 15.38 | 20.33 | 9.00 | 7.00 | 11.25 | 11.37 | 0.35 | 5.63 | 1.13 | N/A | 13.00 | 6.50 | 11.50 | 2.97 | 11.76 | 5.65 | 5.65 | 1.42 | 2.750 | 1.625 | 3/8 x 2.87** | 5/8 x 4.00** |
| GR880 | 13.50 | 17.37 | 22.61 | 10.50 | 8.00 | 11.50 | 12.52 | 0.57 | 5.75 | 1.13 | N/A | 14.75 | 7.38 | 12.50 | 2.84 | 12.25 | 5.98 | 5.98 | 1.65 | 3.000 | 1.875 | 1/2 x 2.81** | 3/4 x 4.50** |
| GR8100 | 16.88 | 21.14 | 27.12 | 12.00 | 10.00 | 14.00 | 14.69 | 0.51 | 7.00 | 1.44 | N/A | 17.00 | 8.50 | 15.50 | 3.76 | 14.75 | 6.76 | 6.76 | 1.65 | 3.750 | 2.250 | 1/2 x 3.69** | 7/8 x 5.00** |

▲ See feature comparison chart.

FEATURE COMPARISON (821, 826, 832)

| Size | Output Shaft Diameter Needed? | Mounting Footprint Needed? | Output Key Needed? | All Other Features | Grove Gear Flexaline Interchange | LEESON IRONMAN Interchange | Replace With Series Code Below: |
|------|-------------------------------|----------------------------|--------------------|--------------------|----------------------------------|----------------------------|---------------------------------|
| 821 | Identical | Identical | Identical | Identical | ✓ | ✓ | GRG |
| | | | | | | | GRL |
| 826 | 1.250" | Identical | Identical | Identical | ✓ | ✓ | GRG |
| | 1.125" | | | | | | GRL |
| 832 | 1.500" | Identical | 3/8 x 2.63 | Identical | ✓ | ✓ | GRG |
| | 1.375" | | 5/16 x 2.63 | | | | GRL |

◊ If Accessory kit is removed, dimensions will vary. NOTE: If reducer is used without the accessory mounted, select based mounting dimensions on pages 52-53 (B, BM, BMQ).

Motor Mounting Dimensions

NEMA DIMENSIONS (Inches)

| Size | 48CZ LM | 56C/140TC | 180TC L1/210TC | 250TC | LQ 48CZ/56C/140TC | 180TC | LQ1 210TC | 250TC | 48CZ/56C/140TC | RQ 180TC | 250TC |
|--------|---------|-----------|----------------|-------|-------------------|-------|-----------|-------|----------------|----------|-------|
| GR813 | 5.63 | 6.07 | N/A | N/A | 3.46 | N/A | N/A | N/A | 3.09 | N/A | N/A |
| GR815 | 6.16 | 6.60 | N/A | N/A | 3.99 | N/A | N/A | N/A | 3.62 | N/A | N/A |
| GR818 | 6.26 | 6.70 | N/A | N/A | 4.09 | N/A | N/A | N/A | 3.59 | N/A | N/A |
| GR821* | 6.63 | 7.07 | N/A | N/A | 4.46 | N/A | N/A | N/A | 4.06 | N/A | N/A |
| GR824 | N/A | 7.76 | 8.76 | N/A | 4.63 | 5.06 | N/A | N/A | 4.09 | 4.56 | N/A |
| GR826* | N/A | 8.32 | 9.32 | N/A | 5.19 | 5.62 | N/A | N/A | 4.82 | 5.13 | N/A |
| GR830 | N/A | 8.82 | 9.82 | N/A | 5.95 | 6.15 | 6.56 | N/A | 5.32 | 5.63 | N/A |
| GR832* | N/A | 9.01 | 10.01 | N/A | 6.14 | 6.34 | 6.75 | N/A | 5.51 | 5.81 | N/A |
| GR842 | N/A | 11.81 | 12.90 | 13.46 | 6.45 | 7.21 | 7.21 | 7.77 | 6.04 | 6.68 | 7.24 |
| GR852 | N/A | 13.21 | 14.30 | 14.86 | 7.85 | 8.61 | 8.61 | 9.17 | 7.35 | 7.98 | 8.54 |
| GR860 | N/A | N/A | 15.88 | 16.50 | 10.45 | 9.33 | 9.33 | 9.94 | 10.01 | 8.69 | 8.69 |
| GR870 | N/A | N/A | 15.50 | 15.50 | N/A | N/A | N/A | N/A | N/A | N/A | N/A |
| GR880 | N/A | N/A | 16.58 | 16.58 | N/A | N/A | N/A | N/A | N/A | N/A | N/A |

NEMA DIMENSIONS (Inches)

| Frame | AJb | AK | BD | BE | BE1 | Bore Dia. | Keyway | BFB |
|-------|------|------|------|------|------|-----------|-------------|------|
| 48CZ | 3.75 | 3.00 | 4.36 | 0.38 | N/A | .500 | 1/8 X 1/16 | 0.28 |
| 56C | 5.88 | 4.50 | 6.50 | 0.38 | N/A | .625 | 3/16 X 3/32 | 0.41 |
| 140TC | 5.88 | 4.50 | 6.50 | 0.38 | N/A | .875 | 3/16 X 3/32 | 0.41 |
| 180TC | 7.25 | 8.50 | 9.00 | N/A | 0.50 | 1.125 | 1/4 X 1/8 | 0.53 |
| 210TC | 7.25 | 8.50 | 9.00 | N/A | 0.50 | 1.375 | 5/16 X 5/32 | 0.53 |
| 250TC | 7.25 | 8.50 | 9.00 | N/A | 0.50 | 1.625 | 3/8 X 3/16 | 0.53 |

IEC B5 & B3/B5 METRIC DIMENSIONS (Inches)◊

| Size | LQ1 | | | | | | RQ | | | | | |
|--------|------|------|------|------|---------------|-------|------|------|------|------|---------------|-------|
| | D63D | D71D | D80D | D90D | D100LD/D112MD | D132D | D63D | D71D | D80D | D90D | D100LD/D112MD | D132D |
| GR813 | 2.62 | 2.65 | 2.89 | N/A | N/A | N/A | 2.45 | 2.47 | 2.71 | N/A | N/A | N/A |
| GR815 | 3.15 | 3.18 | 3.42 | N/A | N/A | N/A | 2.98 | 3.00 | 3.24 | N/A | N/A | N/A |
| GR818 | 3.25 | 3.28 | 3.52 | N/A | N/A | N/A | 2.95 | 2.97 | 3.21 | N/A | N/A | N/A |
| GR821* | 3.62 | 3.65 | 3.89 | N/A | N/A | N/A | 3.43 | 3.44 | 3.68 | N/A | N/A | N/A |
| GR824 | N/A | 3.72 | 4.34 | N/A | N/A | N/A | N/A | 3.46 | 3.71 | N/A | N/A | N/A |
| GR826* | N/A | 4.28 | 4.90 | 4.90 | 5.30 | N/A | N/A | 4.09 | 4.72 | 4.72 | 5.07 | N/A |
| GR830 | N/A | 4.78 | 5.41 | 5.41 | 5.88 | N/A | N/A | 4.59 | 5.22 | 5.22 | 5.57 | N/A |
| GR832* | N/A | 4.97 | 5.59 | 5.59 | 6.07 | N/A | N/A | 4.78 | 5.41 | 5.41 | 5.76 | N/A |
| GR842 | N/A | N/A | N/A | 6.38 | 6.39 | 7.17 | N/A | N/A | N/A | 6.16 | 6.14 | 6.93 |
| GR852 | N/A | N/A | N/A | 7.78 | 7.78 | 8.57 | N/A | N/A | N/A | 7.46 | 7.45 | 8.24 |

IEC B5 & B3/B5 METRIC DIMENSIONS (MM)

| Frame | AJ | AK | BD | BE | Bore Dia. | Keyway | BF TAP | OD |
|---------------|-----|-----|-----|----|-----------|---------|------------|-----|
| D63D | 115 | 95 | 117 | 10 | 11 | 4 X 2 | M8 X 1.25 | 131 |
| D71D | 130 | 110 | 132 | 11 | 14 | 5 X 2.5 | M8 X 1.25 | 146 |
| D80D | 165 | 130 | 165 | 15 | 19 | 6 X 3 | M10 X 1.50 | 184 |
| D90D | 165 | 130 | 165 | 15 | 24 | 8 X 3.5 | M10 X 1.50 | 184 |
| D100LD/D112MD | 215 | 180 | 216 | 18 | 28 | 8 X 3.5 | M12 X 1.75 | 237 |
| D132D | 265 | 230 | 267 | 18 | 38 | 10 X 4 | M12 X 1.75 | 290 |

- * Applies to double output shaft
- ** Key not provided with gear reducer. Keyway dimension shown.
- ◊ Keyway width by depth
- ⊙ Mounting holes rotated 45 degrees from positions shown on Size GR860, Style TM with frame sizes 180TC-250TC.
- 48CZ not available
- 180TC not available

- ⊕ Metric IEC B5 input flange options are available only on quill input styles.
- ✳ Dimensions same for GRG and GRL Series
- * Style T and TM only.
- ▼ Sizes 860-8100 are supplied with a fan. Dimensions refer to fan guard location.
- ⚠ **WARNING** For safety, purchaser or user should provide protective guards over shaft extensions and any couplings, sheaves and belts, sprockets and chains, etc., mounted thereon.

Single Reduction
Worm Gear Reducers

Double Reduction
Worm - Worm Gear Reducers

Double Reduction
Helical - Worm Gear Reducers

WASHGUARD® Reducers
and GEAR-MOTOR™

Ratio Multipliers

Accessories and
Additional Capabilities