

Hub City™ HERA® High-Efficiency Right Angle Gear Drives

HERA® Gear Drive ACCESSORIES

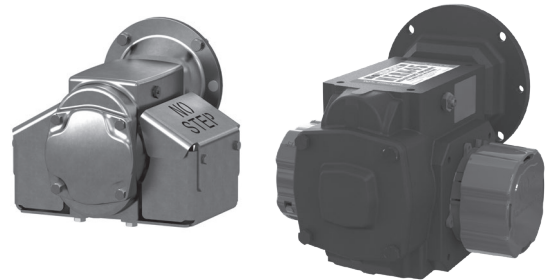
Keyless Output

HUBLOC® KEYLESS BUSHING SYSTEM

FEATURES:

- The HubLoc system creates a keyless, backlash-free mechanical interference fit that eliminates the micromovement that causes fretting and cold welding.
- Self-centering design achieves optimum concentricity and eliminates oscillation in shaft mounted applications.
- HubLoc system can be installed easily in a few minutes requiring only standard hand tools.
- Is easily uninstalled using threaded push-off holes.
- HubCap® protective covers are made from metal-detectable plastic to support customer HACCP programs. The blue color of the covers indicates that they are metal-detectable.

- Tamper resistant HubCap protective covers are easily installed by hand and require a hand tool for removal. No additional hardware needed.
- The open HubCap cover is split so that it can be installed after bushing installation. The two cover halves snap together for easy installation by hand.
- NEW – Heavy duty stainless steel safety covers available to provide an extra measure of protection where needed. In stock for Model HERA35 and HERA45 gear drives. Other sizes available on request.



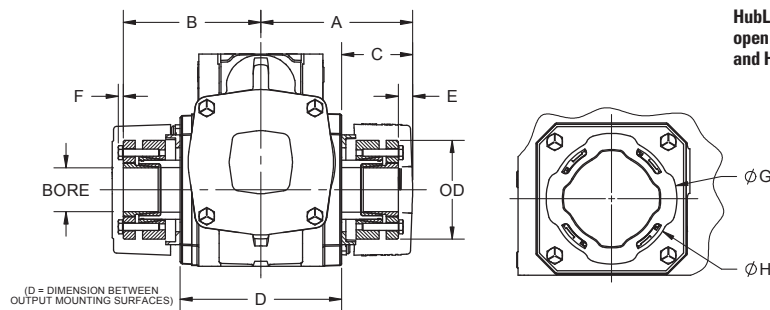
HUBLOC® Keyless Bushing ORDERING INFORMATION

Step 1: Choose HubLoc Model based on your Product Line and Series/Model.			
Product Line	Series/Model	HubLoc Model	
Cast Iron Products	HERA® Gear Drive	HERA35EK	HL10CS
		HERA45EK	HL10CS
		HERA55EK	HL40CS
		HERA75EK^	HL40CS
Stainless Steel Products	Stainless Steel HERA Gear Drive	SSHHERA35EK	HL10SS
		SSHHERA45EK	HL10SS

^ Model HERA75 requires special covers; consult factory at 605-225-0360 or hubsales@regalbelloit.com

Step 2: Choose HubLoc Kit based on HubLoc Model determined in Step 1, and bore size desired.			
HubLoc Model	Bores	HubLoc Kit Model	
Carbon Steel HubLoc® Kits	HL10CS	1.000	HL10CS100K*
		1.188	HL10CS103K*
		1.250	HL10CS104K*
		1.375	HL10CS106K*
		1.438	HL10CS107K*
Stainless Steel HubLoc® Kits	HL40CS	1.250	HL40CS104K
		1.438	HL40CS107K*
		1.500	HL40CS108K
		1.938	HL40CS115K*
		2.000	HL40CS200K*
Stainless Steel HubLoc® Kits	HL10SS	1.000	HL10SS100K*
		1.188	HL10SS103K*
		1.250	HL10SS104K*
		1.375	HL10SS106K*
		1.438	HL10SS107K*
Stainless Steel HubLoc® Kits	HL40SS	1.250	HL40SS104K*
		1.438	HL40SS107K*
		1.938	HL40SS115K*
		2.000	HL40SS200K*

STOCK MODEL DIMENSIONS								
MODELS	A	B	C	D	E	F	G	OD
HERA35EK	4.66	4.25	2.40	4.53	0.41	0.16	4.28	3.23
HERA45EK	5.04	4.50	2.40	5.28	0.54	0.16	4.28	3.23
HERA55EK	6.26	5.32	3.11	6.3	0.94	0.16	5.23	4.02
SSHHERA35EK	4.78	4.25	2.40	4.77	0.53	0.16	4.28	3.23
SSHHERA45EK	5.04	4.50	2.40	5.28	0.54	0.16	4.28	3.23



* Stock Kit.

HubLoc Kit contains (2) Bushings sets, (1) HubCap closed protective cover, and (1) HubCap open protective cover. HubCap closed cover kits can be ordered separately for both HERA35 and HERA45 models: Part# 0259-00313

NEW: heavy duty stainless steel safety covers		
SSHHERA35 - CLOSED COVER KIT		0259-00294
SSHHERA35 - OPEN COVER KIT		0259-00295
SSHHERA45 - CLOSED COVER KIT		0259-00292
SSHHERA45 - OPEN COVER KIT		0259-00293

Note: above kits include hardware and covers for one side of unit. (open covers allow output shaft to protrude)