

PRODUCT INFORMATION PACKET



Model No: LM34422
Catalog No: LM34422
5 HP Washdown Motor, 3 phase, 1800 RPM, 230/460 V, 184T Frame, ODP
Washdown Motors



Regal and Leeson are trademarks of Regal Rexnord Corporation or one of its affiliated companies.
©2021 Regal Rexnord Corporation, All Rights Reserved. MC017097E





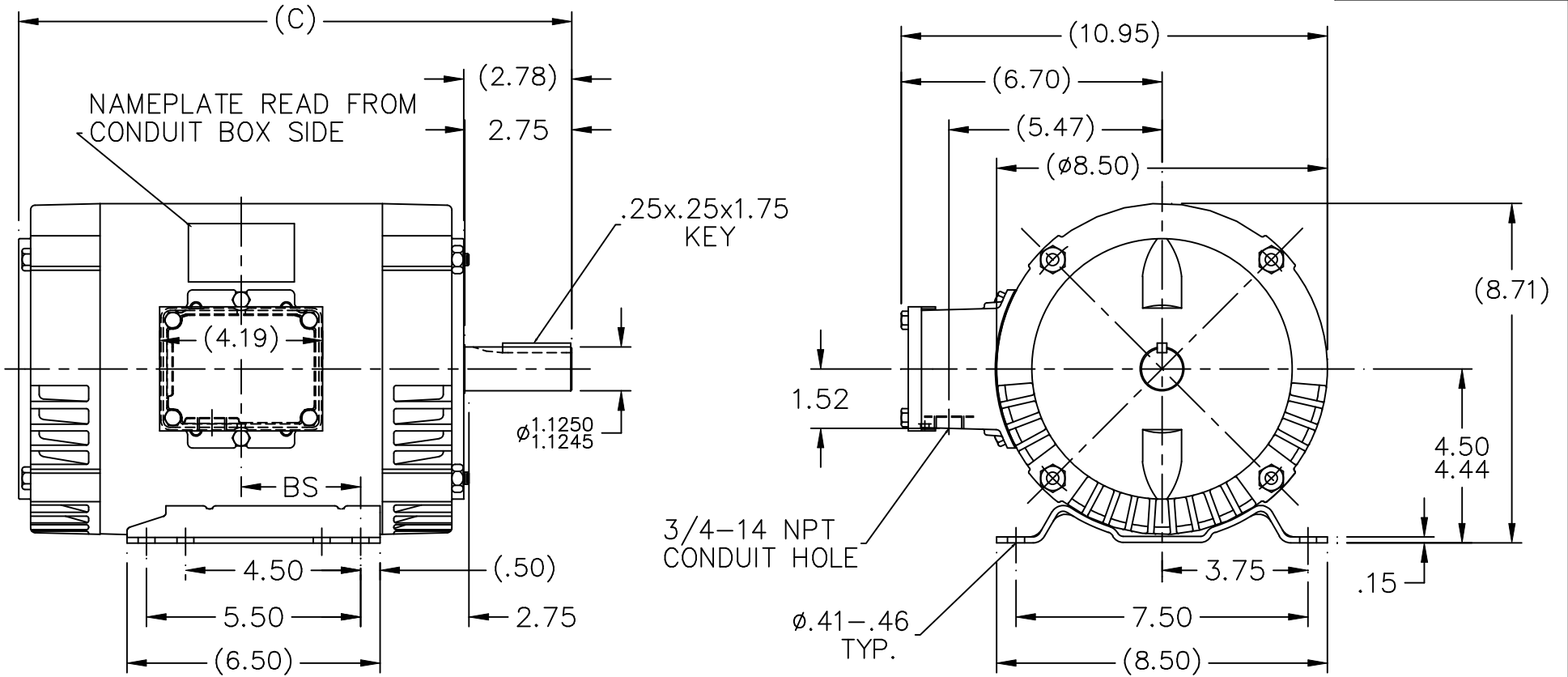
Nameplate Specifications

Output HP	5 Hp	Output KW	3.7 kW
Frequency	60 Hz	Voltage	230/460 V
Current	12.6/6.3 A	Speed	1750 rpm
Service Factor	1	Phase	3
Efficiency	89.5 %	Power Factor	82
Duty	Continuous	Insulation Class	F
Design Code	B	KVA Code	J
Frame	184T	Enclosure	Drip Proof
Thermal Protection	No	Ambient Temperature	40 °C
Drive End Bearing Size	6206	Opp Drive End Bearing Size	6203
UL	Recognized	CSA	Y
CE	Y	IP Code	12
Number of Speeds	1		

Technical Specifications

Electrical Type	Squirrel Cage Induction Run	Starting Method	Across The Line
Poles	4	Rotation	Reversible
Resistance Main	2.82 Ohms	Mounting	Rigid Base
Motor Orientation	Horizontal	Drive End Bearing	Ball
Opp Drive End Bearing	Ball	Frame Material	Rolled Steel
Shaft Type	T	Overall Length	16.22 in
Frame Length	9.25 in	Shaft Diameter	1.125 in
Shaft Extension	2.75 in	Assembly/Box Mounting	F1/F2 CAPABLE
Outline Drawing	SS69222LN-925	Connection Drawing	EE7308


This is an uncontrolled document once printed or downloaded and is subject to change without notice. Date Created:10/07/2021



NOTE:
1.BOX CAN BE ROTATED IN 180° STEPS.

DASH	FR.	C	BS	MOUNTING
725	182/4T	14.22	3.07	F1 ONLY
775	182/4T	14.72	3.32	F1 ONLY
925	182/4T	16.22	4.07	F1 ONLY

02-24-2002
04-08-2002

				TOLERANCES UNLESS SPECIFIED			DRAWN BLR 01-23-2002		
				DEC.	INCHES		CHK ML 01-23-2002	APPD TB 01-23-2002	
				.X	±.1		SCALE 1=4	REF	
3	UPDATED C'BOX GEOMETRY	CN 36692	DRS 05-16-2003	ML .XX	±.03	TITLE OUTLINE 180T FR. - DR.PR. - WASHTHRU	FMF	PREV	
2	REMOVED LIFT LUG	MU39704	MSG 01-28-2002	TB .XXX	±.005				
1	NEW DRAWING	DES. DEV.	BLR 01-23-2002	.XXXX	±.0005				
NO.	REVISION		BY & DATE	CHK	ANG	FINISH			
THIS DRAWING IN DESIGN AND DETAIL IS OUR PROPERTY AND MUST NOT BE USED EXCEPT IN CONNECTION WITH OUR WORK ALL RIGHTS OF DESIGN AND INVENTION ARE RESERVED THIS IS AN ELECTRONICALLY GENERATED DOCUMENT - DO NOT SCALE THIS PRINT				RFP		CAD FILE SS69222LN	SIZE A	DRAWING NO. SS69222LN	PAGE OF 3
				DIST LB					REV. 3



NO.	REVISION	BY & DATE	CHK	ANG	TOLERANCES UNLESS SPECIFIED		FINISH	DRAWN RM 11/20/1990				
					DEC.	INCHES						
5	CHG TO REGAL LOGO	SL 09/10/2015	AB					CHK ML 11/21/1990				
4	REVISED IEC NOTATIONS	MSG 11/15/2011	CMN	.X	±.1			APPD SAS 04/24/2003				
3	ADDED IEC NOTATIONS... (U1), (V1) ETC. MU95194	MSG 5/10/2010	MJS	.XX	±.02		TITLE CONNECTION DIAGRAM	SCALE 1=1				
2	ADDED THE OPTIONAL CORD CONNECTION MU46318	RDH 04/24/2003	DRS	.XXX	±.005		3Ø - DUAL VOLTAGE MOTOR	REF				
1	REDRAWN	RM 11/20/1990		.XXXX	±.0005		MAT'L.	FMF				
					±7'30"			PREV				
THIS DRAWING IN DESIGN AND DETAIL IS OUR PROPERTY AND MUST NOT BE USED EXCEPT IN CONNECTION WITH OUR WORK ALL RIGHTS OF DESIGN AND INVENTION ARE RESERVED THIS IS AN ELECTRONICALLY GENERATED DOCUMENT - DO NOT SCALE THIS PRINT							RFP	CAD FILE ee7308	SIZE A	DRAWING NO. EE7308	PAGE OF 5	REV. 5
							DIST WP					



2100 WASHINGTON ST.
GRAFTON, WI
PH. 262-277-8810

CERTIFICATION DATA SHEET

CONN. DIAGRAM: EE7308
OUTLINE: SS69222LN-925
WINDING #: K1844214 EN 1

CATALOG : LM34422

MOUNTING: F1/F2 CAPABLE

TYPICAL MOTOR PERFORMANCE DATA

HP	kW	SYNC. RPM	F.L. RPM	FRAME	ENCLOSURE	KVA CODE	DESIGN
5	3.70	1800	1750	184T	DP	J	B

PH	Hz	VOLTS	AMPS	START TYPE	DUTY	INSL	S.F.	AMB°C
3	60	230/460	12.6/6.3	ACROSS THE LINE	CONTINUOUS	F3	1.0	40

FULL LOAD EFF:	89.5	3/4 LOAD EFF:	90.2	1/2 LOAD EFF:	89.5	GTD. EFF		ELEC. TYPE	
FULL LOAD PF:	82	3/4 LOAD PF:	77	1/2 LOAD PF:	66	87.5		SQ CAGE IND RUN	

F.L. TORQUE	LOCKED ROTOR AMPS	L.R. TORQUE	B.D. TORQUE	F.L. RISE°C
15 LB-FT	92 / 46	31.5 LB-FT 210 %	50 LB-FT 333 %	50

SOUND PRESSURE @ 3 FT.	SOUND POWER	ROTOR WK^2	MAX. WK^2	SAFE STALL TIME	STARTS / HOUR	APPROX. MOTOR WGT
63 dBA	73 dBA	0.45 LB-FT^2	30 LB-FT^2	20 SEC.	2	100 LBS.

*** SUPPLEMENTAL INFORMATION ***

DE BRACKET TYPE	ODE BRACKET TYPE	MOUNT TYPE	ORIENTATION	SEVERE DUTY	HAZARDOUS LOCATION	DRIP COVER	SCREENS	PAINT
STANDARD	STANDARD	RIGID	HORIZONTAL	FALSE	NONE	FALSE	NONE	WHITE (ENAMEL)

BEARINGS		GREASE	SHAFT TYPE	SPECIAL DE	SPECIAL ODE	SHAFT MATERIAL	FRAME MATERIAL
DE	ODE						
BALL	BALL	POLYREX EM	T	NONE	NONE	303 STAINLESS (C-501)	ROLLED STEEL
6206	6203						

THERMO-PROTECTORS				THERMISTORS	CONTROL	SPACE HEATERS
THERMOSTATS	PROTECTORS	WDG RTDs	BRG RTDs			
NONE	NOT	NONE	NONE	NONE	FALSE	NONE VOLTS

*
N
O
T
E
S
*

INVERTER TORQUE: NONE
INV. HP SPEED RANGE: NONE
ENCODER: NONE
NONE NONE
NONE NONE PPR
BRAKE: NONE NONE
NONE P/N NONE
NONE NONE
NONE FT-LB NONE V NONE Hz

Data Sheet

Date: 1/23/2018

LM34422



Data @ 460 V

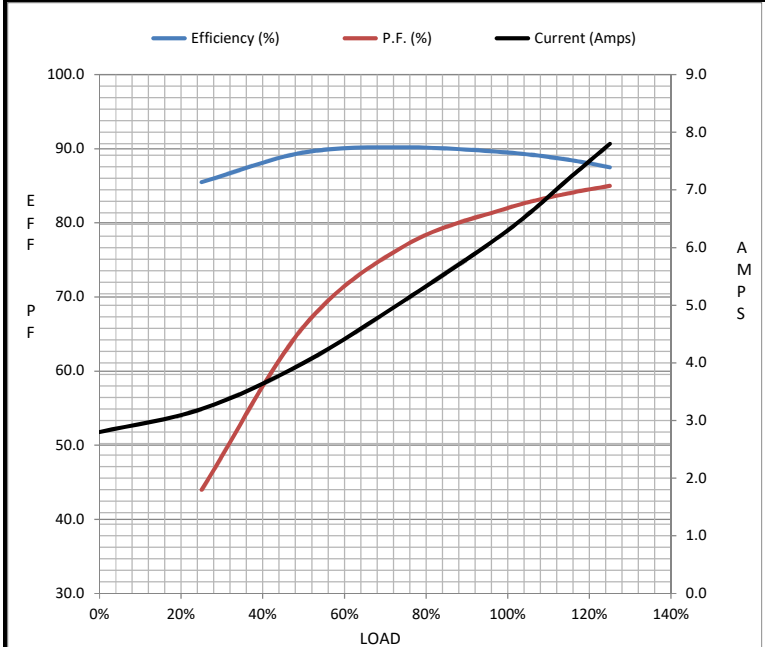
Motor Load Data

Load	0%	25%	50%	75%	100%	115%	125%	LR
Current (Amps)	2.80	3.2	4.0	5.1	6.3	7.2	7.8	46.0
Torque (ft-lb)	0.00	3.7	7.4	11.2	15.0	17.5	19.0	31.5
RPM	1800	1790	1775	1765	1750	1.745	1735	0
Efficiency (%)		85.5	89.5	90.2	89.5	88.5	87.5	
P.F. (%)	6.5	44.0	66.0	77.0	82.0	84.0	85.0	50.0

Motor Speed Data

	LR	Pull-Up	BD	Rated	Idle
Speed (RPM)	0	750	1500	1750	1800
Current (Amps)	46.0	43.0	26.0	6.3	2.80
Torque (ft-lb)	31.5	30.0	50.0	15.0	0.00

Information Block				
HP	5.0			
Sync. RPM	1800			
Frame	184			
Enclosure	DP			
Construction	TDW			
Voltage	230/460 V			
Frequency	60 Hz			
Design	B			
LR Code letter	J			
Service Factor	1.15			
Temp Rise @ FL	50 °C			
Duty	CONT			
Ambient	40 °C			
Elevation	1,000 feet			
Rotor/Shaft wk ²	0.45 Lb-Ft ²			
Ref Wdg	K1844214 EN			
Sound Pressure @ 1M	63 dBA			
VFD Rating	NONE			
Outline Dwg	SS69222LN-925			
Conn. Diag	EE7308			
Additional Specifications:				
0				
0				
EQUIV CKT (OHMS / PHASE)				
R1	R2	X1	X2	Xm
1.5450	1.1020	3.6750	5.1290	93.7200



Speed - Torque Curve

