

PRODUCT INFORMATION PACKET

Model No: 5R026
Catalog No: 5R026
12 WATT Refrigeration Motor, 1550 RPM, 115 Volts, Unit Bearing, TEAO
Unit Bearing Motors



Regal and Morrill Motors are trademarks of Regal Rexnord Corporation or one of its affiliated companies.
©2021 Regal Rexnord Corporation, All Rights Reserved. MC017097E



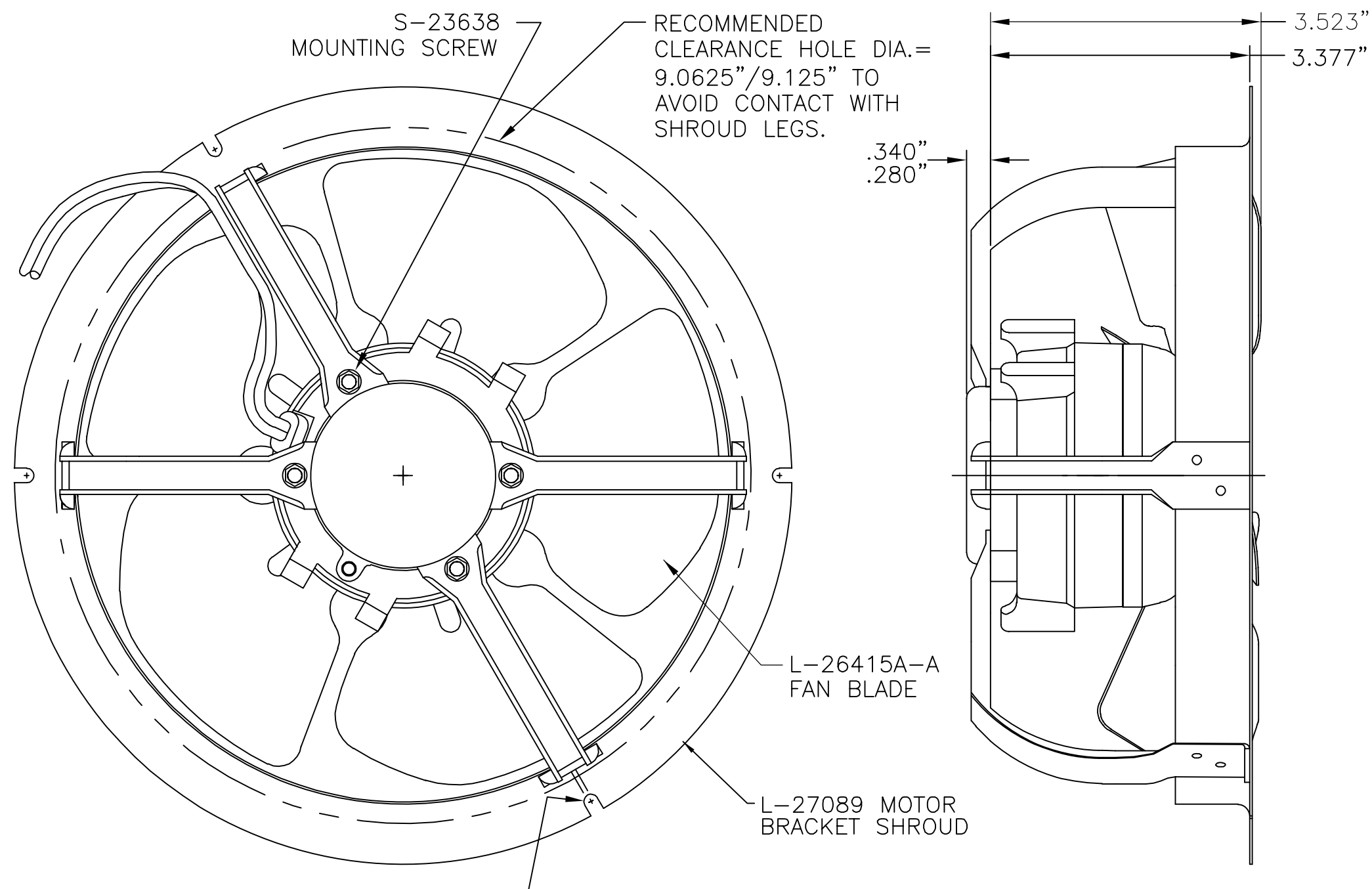
Nameplate Specifications

Output Watts	12 W	Frequency	60 Hz
Voltage	115 V	Current	0.3 A
Speed	1550 rpm	Phase	1
Duty	Continuous Air Over	Insulation Class	B
Frame	UNIT BEARING	Enclosure	Totally Enclosed Air Over
Thermal Protection	Electronically Protected	Ambient Temperature	55 °C
UL	Yes	CSA	Y
CE	N		

Technical Specifications

Electrical Type	Electronically Commutated Motor	Starting Method	Across The Line
Poles	4	Rotation	Clockwise Opposite Shaft End
Mounting	Shroud	Motor Orientation	Any
Frame Material	Aluminum	Shaft Type	Not Applicable
Overall Length	3.86 in	Frame Length	3.52 in
Shaft Diameter	0.250 in		
Outline Drawing	27102-Erwin		

This is an uncontrolled document once printed or downloaded and is subject to change without notice. Date Created:10/11/2021



.095" +.003"
-.000" RAD. THRU
4 REQ'D. ON A
9.800" DIA. BOLT
CIRCLE.

NOTE: MOUNTING SCREW TORQUE 3.5 FT.LB.MAX.

NOTE: OUTLINE DIMENSIONS ON WHICH NO LIMIT IS SPECIFIED ARE NOMINAL AND NOT GUARANTEED AS TO TOLERANCE. ADDITIONAL INFORMATION ON TOLERANCES WILL BE FURNISHED ON SPECIFIC REQUEST.

F:\CADFILES\VOL_9\27102



SCALE 1/2"=1"		REVISIONS		BY	DATE
DATE 09-22-11	DR'N RMH	CKD	①		
AP'VD			②		
			③		
			④		
TITLE MOTOR OUTLINE (3/4" ALUM. SSC ² 8.25" 4-LEG FLANGE SHROUD ASSEMBLY)				NO. S-27102	