

AT THE HEART OF WHAT DRIVES YOUR WORLD...

Since 1892, HUB CITY™ power transmission products have established a reputation for toughness and dependability for applications in industry and agriculture worldwide. As a world class manufacturer, REGAL provides the technology, expertise and support to perfectly integrate our HUB CITY products into your application. Whether your application requires a standard, modified standard or custom product, HUB CITY power transmission products and driveline components will always be at the heart of what drives your world.

LEADING EDGE ENGINEERING TEAM BRINGS YOU:

- Application engineers that provide advanced product designs and support to meet your exact requirements
- Advanced product design for diverse applications
- Custom designed prototypes for evaluation and testing
- Support from inception to completion of the product design through manufacturing

STATE-OF-THE-ART MANUFACTURING WITH CAPABILITIES INCLUDING:

- Extensive computer numerically controlled (CNC) machines for milling, turning, drilling, boring, threading, grinding, hobbing and gear cutting of barstock, forgings and castings
- Equipment supported by Direct Numerical Control (DNC),
- Computer-Aided Design and Manufacturing (CAD/CAM), and computer-based systems for Enterprise Resource Planning (ERP)
- Microprocessor-controlled heat treating that carburizes and hardens, through-hardens, induction hardens, or tempers and anneals a variety of materials

WORLD-CLASS QUALITY IS ASSURED BY:

- Design simplicity and structural integrity
- Comprehensive systems, procedures and work instructions in accordance with ISO-9001:2008 standards
- State-of-the-art testing equipment and laboratory



State-of-the-art testing equipment and comprehensive product testing ensures quality.



A multi-pallet machining center machines precisely and efficiently.



As a result of ongoing implementation of Lean Six Sigma initiatives, many of our most sought after products are now available in 3 days or less!



DEDICATED CUSTOMER SERVICE MEANS SUPPORT FROM:

- Manufacturing facilities in South Dakota
- Seven Assembly/Distribution Centers conveniently located throughout North America
- Skilled customer service professionals committed to excellence in providing product information and prompt order processing

VERSATILE, ROBUST, EASILY INSTALLED, AVAILABLE IN BOTH CARBON STEEL & STAINLESS STEEL

HUBLOC® KEYLESS BUSHING SYSTEM

FEATURING

- The HubLoc® system creates a keyless, backlash-free mechanical interference fit that eliminates the micromovement that causes fretting and cold welding.
- Self-centering design achieves optimum concentricity and eliminates oscillation in shaft mounted applications.
- Minimizes customer inventory, as one gearbox can be used for multiple shaft diameters.
- Ambidextrous design allows the shaft to be mounted on either side of the gearbox.
- HubLoc® system can be installed easily in a few minutes requiring only standard hand tools.
- Is easily uninstalled using threaded push-off holes.
- Double tapered design allows a wide range of tolerances found on standard shafting.
- Available in both carbon steel and stainless steel.
- Available in a wide range of standard bores, with custom bores available upon request.
- Available as an option on select sizes of worm speed reducers, HERA® drives and helical bevel and helical worm reducers, in both cast iron and stainless steel.
- HubCap® protective covers are made from metal-detectable plastic to support customer HACCP programs. The blue color of the covers indicates that they are metal-detectable.
- Tamper resistant HubCap® protective covers are easily installed by hand and require a hand tool for removal. No additional hardware needed.
- The open HubCap® cover is split so that it can be installed after bushing installation. The two cover halves snap together for easy installation by hand.
- NEW – Heavy duty stainless steel safety covers available to provide an extra measure of protection where needed. In stock for HERA35 and HERA45. Other sizes available on request.



ORDERING INFORMATION

Step 1: Choose HubLoc® Model based on your Product Line and Series/Model.

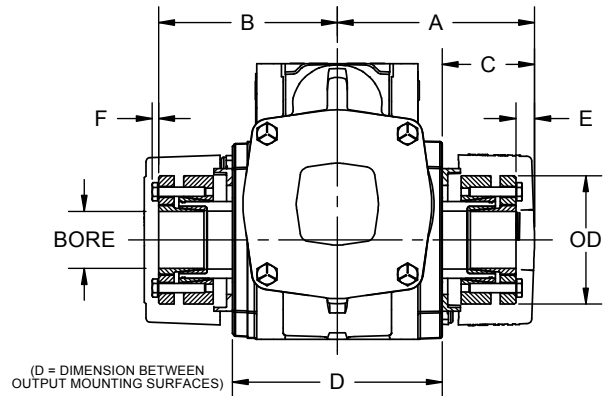
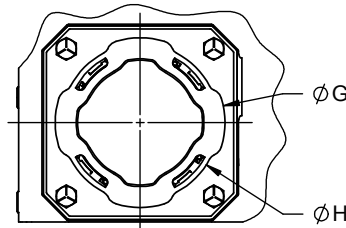
	Product Line	Series/ Model	HubLoc® Model
CAST IRON PRODUCTS	Worm Speed Reducers	210	HL10CS
		W240	HL10CS
		260	HL10CS
		300	HL40CS
		320	HL40CS
		380	HL40CS
		W420	HL40CS
	HERA® Gearbox	HERA35 ▲	HL10CS
		HERA45 ▲	HL10CS
		HERA55 ▲	HL40CS
		HERA75	HL40CS
	Helical Bevel	HB2040 ▲	HL10CS
		HB2060 ▲	HL20CS
		HB2070 ▲	HL40CS
	Helical Worm	HW2050	HL10CS
HW2060		HL20CS	
HW2070		HL40CS	
STAINLESS STEEL PRODUCTS	Stainless Steel Worm Speed Reducers	SSW210	HL10SS
		SSW240	HL10SS
		SSW260	HL10SS
		SSW320	HL40SS
	Stainless Steel HERA® Gearbox	SSHERA35 ▲	HL10SS
		SSHERA45 ▲	HL10SS
	Stainless Steel Helical Bevel	SSHB2040 ▲	HL10SS
		SSHB2060 ▲	HL20SS
		SSHB2070 ▲	HL40SS

Step 2: Choose HubLoc® Kit based on HubLoc® Model determined in Step1, and bore size desired.

	HubLoc® Model	Bores	HubLoc® Kit Model
CARBON STEEL HUBLOC® KITS	HL10CS	1.000	HL10CS100K*
		1.188	HL10CS103K*
		1.250	HL10CS104K*
		1.375	HL10CS106K*
		1.438	HL10CS107K*
	HL20CS	1.500	HL20CS108K*
	HL40CS	1.250	HL40CS104K*
		1.438	HL40CS107K*
		1.500	HL40CS108K*
		1.938	HL40CS115K*
2.000		HL40CS200K*	
STAINLESS STEEL HUBLOC® KITS	HL10SS	1.000	HL10SS100K*
		1.188	HL10SS103K*
		1.250	HL10SS104K*
		1.375	HL10SS106K*
		1.438	HL10SS107K*
	HL20SS	1.438	HL20SS107K*
	HL40SS	1.500	HL20SS108K*
		1.250	HL40SS104K*
		1.438	HL40SS107K*
		1.938	HL40SS115K*
2.000		HL40SS200K*	

*Stock Kit

▲ Quick Ship Item
HERA75 Requires Special Covers
Consult Factory.



STOCK MODEL DIMENSIONS

Models	A	B	C	D	E	F	G	OD
HERA35	4.66	4.25	2.40	4.53	0.41	0.16	4.28	3.23
HERA45	5.04	4.50	2.40	5.28	0.54	0.16	4.28	3.23
HERA55	6.26	5.32	3.11	6.30	0.94	0.16	5.23	4.02
HB2040	5.25	4.76	2.40	5.71	0.49	0.16	4.28	3.23
HB2060	6.57	5.64	3.11	6.92	0.93	0.16	5.23	3.39
HB2070	7.09	6.10	3.11	7.96	0.99	0.16	5.23	4.02
SSHERA35	4.78	4.25	2.40	4.77	0.53	0.16	4.28	3.23
SSHERA45	5.04	4.50	2.40	5.28	0.54	0.16	4.28	3.23
SSHB2040	5.25	4.76	2.40	5.71	0.49	0.16	4.28	3.23
SSHB2060	6.57	5.64	3.11	6.92	0.93	0.16	5.23	3.39
SSHB2070	7.09	6.10	3.11	7.96	0.99	0.16	5.23	4.02

HubLoc® kit contains (2) Bushings sets, (1) HubCap® closed protective cover, and (1) HubCap® open protective cover.

NEW - HEAVY DUTY STAINLESS STEEL SAFETY COVERS	
SSHERA35 -CLOSED COVER KIT	0259-00294
SSHERA35 -OPEN COVER KIT	0259-00295
SSHERA45 -CLOSED COVER KIT	0259-00292
SSHERA45 -OPEN COVER KIT	0259-00293

Note: above kits include hardware and covers for one side of unit. (open covers allow output shaft to protrude)

CUSTOM PRODUCTS

HUB CITY™ custom products are technically advanced to meet the specific needs of your unique application. Our engineering team offers complete support from design and prototypes to the manufactured unit.

HUB CITY CUSTOM PRODUCTS ARE UNLIMITED:

OUTDOOR POWER EQUIPMENT **b**

- Used to power hand-held outdoor equipment such as: rubber paddle brooms, nylon bristle brushes & cultivator attachments

FOOD PROCESSING MACHINERY **a**

- Powers beverage and bottling equipment
- Drives fruit and vegetable processors
- Used in meat and poultry processing plants
- Operates vibratory conveyors for the confectionary and baking industries

MILITARY APPLICATIONS **c**

- Used in military rocket launchers. It raises and lowers the canister, which contains the rockets, positioning them for firing
- 1:1 spiral bevel gearing & 1.53:1 spiral bevel gearing
- Special paint & corrosion protection applied to all exposed surfaces

BOOM ROTATION DRIVES **i**

- Used for rotating the main boom in small utility and electrical maintenance vehicles
- Spur gear mates with internal or external gear teeth, which are part of the main rotation bearing
- Manufactured in several sizes and output flange configurations

PACKAGING EQUIPMENT **g**

- Suitable for production equipment and food processing
- Increases production in packaging machinery: shrink wrap & snack bagging applications, which crimp, seal and cut snack bags
- Manufactured with planetary gearing

SPRAYING EQUIPMENT **j**

- Operates spray pumps in recreational and commercial vehicles. The spray pumps are run by the low speed output shaft, and the double extended high speed input shaft transmits power to the vehicle differential
- Utilizes our standard Model 180, 5:1, gear design in a special housing

MONORAIL DRIVE **h e**

- Used in monorail and bottling conveyor application
- Ratios: 19.63:1 to 78.52:1
- Manufactured with or without disengage mechanisms

UTILITY TRUCK APPLICATIONS **f d**

- Used for operating air compressors, pumps, generators, etc.
- Manufactured in sizes specific to application

CONCRETE GRINDING AND FINISHING EQUIPMENT **k**

- Powers the finishing tools for creating desired surface texture

COOLING TOWER DRIVES **L**

- Applications in power plants and high-rise buildings

Contact us with your specific application.

