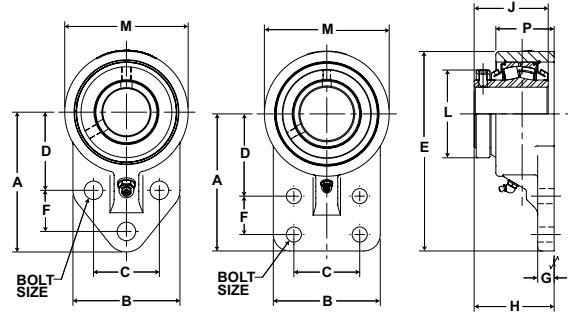


SEALMASTER® Performance Mounted Spherical Roller Bearings

Mtd. Spherical Bearings



- Rolling Elements:** Spherical Roller
- Housing:** Ductile Iron Flange Bracket
- Self Alignment:** +/- 2 Degrees
- Lock:** Setscrew
- Seal:** Felt
- Optional Seal:** Double Lip Contact
- Temperature:** -20° to 220° F



USBF5000 Series Three-Bolt Flange Brackets - Collar Mount

Bore Diameter inch	Part No.	Basic Dynamic Rating lb/N	Dimensions inch / mm													Unit Wt. lb/kg
			A	B	C	D	E	F	G	H*	J	L	M	P	Bolt Size	
1 7/16	USBF5000-107	20368	4 1/4	3 1/4	2	2 3/8	6 1/8	1 1/4	5/8	2 53/64	2 3/4	2 49/64	3 3/4	2 1/4	1/2	6.4
		90597	108.0	82.6	50.8	60.3	155.6	31.8	15.9	71.8	69.9	70.2	95.3	57.2		2.91
1 15/16	USBF5000-115	23520	5 3/16	4	2 3/4	2 15/16	7 5/16	1 5/8	11/16	2 31/32	2 7/8	3	4 1/4	2 3/8	1/2	7.5
		104617	131.8	101.6	69.9	74.6	185.7	41.3	17.5	75.4	73.0	76.2	108.0	60.3		3.41

USBF5000 Series Four-Bolt Flange Brackets - Collar Mount

Bore Diameter inch	Part No.	Basic Dynamic Rating lb/N	Dimensions inch / mm													Unit Wt. lb/kg
			A	B	C	D	E	F	G	H*	J	L	M	P	Bolt Size	
2 7/16	USBFF5000-207	44691	6 1/4	4 7/8	3	3 3/4	9 3/32	1 3/4	3/4	3 31/64	3 3/8	4	5 11/16	2 21/32	5/8	16.6
		198786	158.8	123.8	76.2	95.3	231.0	44.5	19.1	88.5	85.7	101.6	144.5	67.5		7.55

*For expansion bearings, this dimension can increase by the corresponding value in table VIII on page I-69.

Metric dimensions for reference only.
 Not all parts are available from stock. Please contact customer service for availability (800) 626-2120.
 For more information on bearing capabilities outside of our standard offering, please contact Application Engineering (800) 626-2093.