

N400 SERIES COUPLING

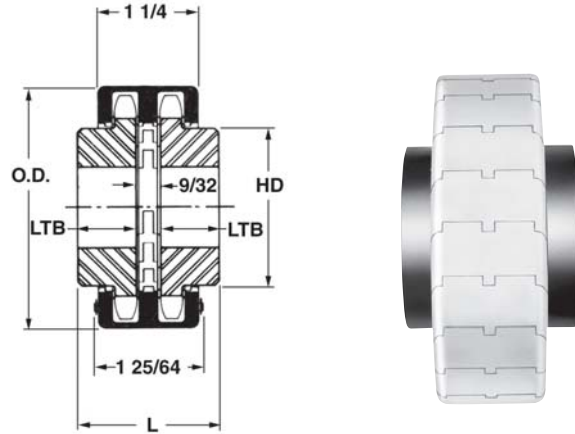
Delrin Couplings can stand a wide range of rugged conditions.

Temperature range from -25°F to 150°F

Angular misalignment of 1° (10T - 19T), 1/2° (20T - 24T)

Parallel misalignment of .005 in.

Total end float of .060 in.



Chain Part No.	PLAIN BORE			FINISHED BORE											DIMENSIONS IN INCHES				Approx. Wt. Lbs.
	Sprocket Part No.	Stock (in.)	Max. (in.)	Sprocket Part No.	1/2	5/8	3/4	7/8	1	1 1/8	1 3/16	1 1/4	1 7/16	1 1/2	OD	HD	L	LTB	
N410	40B10	1/2	3/4	H4010	X	X	X	-	-	-	-	-	-	-	2.06	1 9/32*	2 1/32	7/8	.80
N411	40B11	1/2	7/8	H4011	X	X	X	X	-	-	-	-	-	-	2.22	1 7/16*	2 1/32	7/8	1.00
N412	40B12	1/2	1	H4012	X	X	X	X	X	-	-	-	-	-	2.37	1 19/32*	2 1/32	7/8	1.00
N413	40B13	1/2	1 1/16	H4013	X	X	X	X	X	-	-	-	-	-	2.53	1 3/4*	2 1/32	7/8	1.20
N414	40B14	1/2	1 1/8	H4014	X	X	X	X	X	X	-	-	-	-	2.69	1 7/8*	2 1/32	7/8	1.40
N415	40B15	1/2	1 1/4	H4015	X	X	X	X	X	X	X	-	-	-	2.85	2*	2 1/32	7/8	1.60
N416	40B16	5/8	1 3/8	H4016	-	X	X	X	X	X	X	X	-	-	3.00	2 1/16	2 1/32	7/8	1.90
N417	40B17	5/8	1 7/16	H4017	-	X	X	X	X	X	X	X	-	-	3.16	2 3/16	2 1/32	7/8	2.10
N418	40B18	5/8	1 1/2	H4018	-	X	X	X	X	X	X	X	X	X	3.32	2 3/8	2 1/32	7/8	2.50
N419	40B19	5/8	1 3/4	H4019	-	X	X	X	X	X	X	X	X	X	3.48	2 1/2	2 1/32	7/8	2.70
N420	40B20	5/8	1 7/8	H4020	-	X	X	X	X	X	X	X	X	X	3.64	2 5/8	2 5/32	15/16	3.10
N421	40B21	5/8	1 7/8	H4021	-	X	X	X	X	X	X	X	X	X	3.80	2 3/4	2 5/32	15/16	3.50
N422	40B22	5/8	1 7/8	H4022	-	X	X	X	X	X	X	X	X	X	3.96	2 7/8	2 5/32	15/16	3.80
N423	40B23	5/8	2	H4023	-	X	X	X	X	X	X	X	X	X	4.11	3	2 5/32	15/16	3.80
N424	40B24	5/8	2 1/4	H4024	-	X	X	X	X	X	X	X	X	X	4.27	3 1/4	2 5/32	15/16	4.00

Complete Coupling consists of: 2 Standard 1/2" Pitch Roller Chain Sprockets (10-24 Teeth), 1 Standard N4 Chain (10-24 Pitches).

* Hub is recessed for chain clearance.

Type "B" (Plain Bore) Sprockets are made without keyways and setscrews. They are furnished with minimum bore which can be rebored to size, keywayed and setscrewed for a reasonable extra charge.

All stock finished sprockets are furnished with standard keyways on centerline of tooth and hollow head setscrews over keyway, except 1/2" bores which have no keyways.

Delrin Chain can be cut to lengths - 10 ft. or 50 ft.

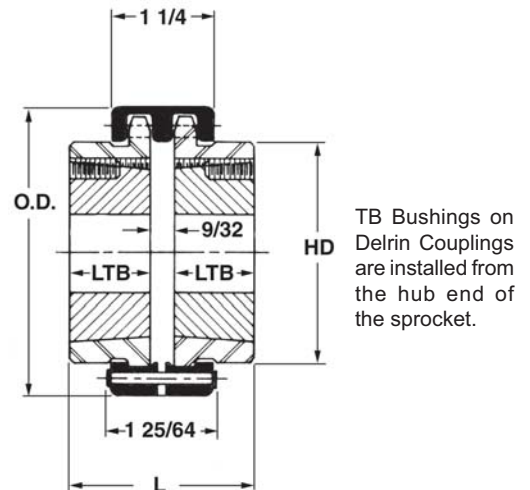
TAPERED BORE									
Chain Part No.	Sprocket Part No.	Bore Range		Dimensions in Inches				Wt. with Bushings lbs.	Bushing No.*
		Min.	Max.	OD	HD	L	LTB		
N414	H40TB14	1/2	1	2.69	1 13/16	2 1/32	7/8	1.32	TB-1008
N415	H40TB15	1/2	1	2.85	1 13/16	2 1/32	7/8	1.53	TB-1008
N416	H40TB16	1/2	1	3.00	1 15/16	2 1/32	7/8	1.85	TB-1008
N417	H40TB17	1/2	1 1/4	3.16	2 3/8	2 9/32	1	2.06	TB-1210
N418	H40TB18	1/2	1 1/4	3.32	2 15/32	2 9/32	1	2.28	TB-1210
N419	H40TB19	1/2	1 1/4	3.48	2 15/32	2 9/32	1	2.79	TB-1210
N420	H40TB20	1/2	1 5/8	3.64	2 25/32	2 9/32	1	3.37	TB-1610
N421	H40TB21	1/2	1 5/8	3.80	2 25/32	2 9/32	1	3.66	TB-1610
N422	H40TB22	1/2	1 5/8	3.96	2 25/32	2 9/32	1	3.82	TB-1610
N423	H40TB23	1/2	1 5/8	4.11	3	2 9/32	1	3.95	TB-1610
N424	H40TB24	1/2	1 5/8	4.27	3 1/4	2 9/32	1	4.17	TB-1610

* Two Bushings required per coupling.

Complete Coupling consists of: 2 Standard 1/2" Pitch Roller Chain Sprockets (14-24 Teeth), 1 Standard N4 Chain (14-24 Pitches).

Delrin Chain can be cut to length - 10 ft. or 50 ft.

* Delrin is believed to be the trademark and/or trade name of E.I. Du Pont De Nemours and Company, and is not owned or controlled by Regal Power Transmission Solutions.



NOTE: For Standard Keyseats, contact KOP-FLEX.