



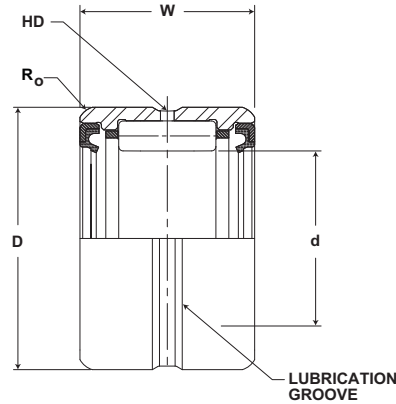
Basic Construction Type: Machined Race With Optional Separable Inner Ring

Rolling Elements: Cage Guided Precision Needles

Bearing Material: Bearing Quality Steel

Seal Type: Rubber Lip

Lubrication: Sealed Bearings: Lithium Soap Grease NLGI #1
Unsealed Bearings: Rust Preventative



MR SERIES (continued)

Part No.		d		D		W	Housing Bore Diameter			HD	Ro	Limiting Speed (In Oil)*	Basic Dynamic Rating	Basic Static Rating	Outer & Roller Assembly Weight
McGill Outer Ring & Roller Assembly	Military No.	Shaft Diameter		Outside Diameter		Width				Radial Lub. Hole Diameter	Max Hsg Radius to Clear				
		inch	mm	inch	mm		inch	mm	inch	mm	RPM				
		Nom	Tol.	Nom	Tol.	Tol +0/-0.005 (+0/-0.13)	Rotating	Stationary	Tol.	(Ref)	(Ref)				
MR 40 N	MS 51961-33	2.5000+0/-0.0005 63.5 +0/-0.013	3.2500 +0/-0.0008 82.6 +0/-0.020	1.500 38.10	3.2496 82.572	3.2507 82.600	+0/-0.0007 +0/-0.018	.13 3	0.08 2	4800	23,400 104,083	42,900 190,819	1.23 .56		
MR 40 SS, S, RS, SRS, RSS											1530	23,400 104,083	42,900 190,819	1.44 .65	
MR 40	MS 51961-34			1.750 44.45	3.2496 83	3.2507 83	+0/-0.0007 +0/-0.018	.13 3	0.08 2	4800	27,200 120,986	52,100 231,741	1.44 .65		
MR 40	MS 51961-34				3.2496 83	3.2507 83	+0/-0.0007 +0/-0.018	.13 3	0.08 2	4800	27,200 120,986	52,100 231,741	1.44 .65		
MR 44 N	MS 51961-35	2.7500+0/-0.0005 69.9 +0/-0.013	3.5000 +0/-0.0008 88.9 +0/-0.020	1.500 38.10	3.4995 89	3.5008 89	+0/-0.0010 +0/-0.025	.13 3	0.08 2	4370	24,500 108,976	46,700 207,722	1.36 .62		
MR 44 SS, S, RS, SRS, RSS											1390	24,500 108,976	46,700 207,722	1.59 .72	
MR 44	MS 51961-36			1.750 44.45	3.4995 89	3.5008 89	+0/-0.0010 +0/-0.025	.13 3	0.08 2	4370	28,400 126,323	56,700 252,202	1.59 .72		
MR 48 N	MS 51961-37	3.0000+0/-0.0005 76.2 +0/-0.013	3.7500 +0/-0.0008 95.3 +0/-0.020	1.500 38.10	3.7495 95.275	3.7508 95.308	+0/-0.0010 +0/-0.025	.13 3	0.08 2	4000	26,100 116,093	52,300 232,630	1.53 .69		
MR 48 SS, S, RS, SRS, RSS											1270	26,100 116,093	52,300 232,630	1.79 .77	
MR 48	MS 51961-38 MS 51961-38			1.750 44.45	3.7495 95	3.7508 95	+0/-0.0010 +0/-0.025	.13 3	0.08 2	4000	30,300 134,774	63,400 282,003	1.79 .77		
† MR 48	MS 51961-38 MS 51961-38				3.7495 95	3.7508 95	+0/-0.0010 +0/-0.025	.13 3	0.08 2	4000	30,300 134,774	63,400 282,003	1.79 .77		
† MR 52 SS, S, RS, SRS, RSS		3.2500+0/-0.0005 82.6 +0/-0.013	4.2500 +0/-0.0008 108.0 +0/-0.020	1.750 44.45	4.2495 107	4.2508 108	+0/-0.0010 +0/-0.025	.19 5	0.08 2	1175	25,100 111,645	54,300 241,526	2.64 1.19		
MR 52	MS 51961-39			1.750 44.45	4.2495 108	4.2508 108	+0/-0.0010 +0/-0.025	.19 5	0.08 2	3700	29,900 132,995	64,400 286,451	2.64 1.19		
MR 56 N	MS 51961-41	3.5000+0/-0.0005 88.9 +0/-0.013	4.5000 +0/-0.0008 114.3 +0/-0.020	1.750 44.45	4.4995 114	4.5008 114	+0/-0.0010 +0/-0.025	.19 5	0.08 2	3440	31,300 139,222	71,600 318,477	2.88 1.31		
MR 56 SS, S, RS, SRS, RSS											1090	31,300 139,222	71,600 318,477	3.18 1.44	
MR 56	MS 51961-42 MS 51961-42			2.000 50.80	4.4995 114	4.5008 114	+0/-0.0010 +0/-0.025	.19 5	0.08 2	3440	35,900 159,683	83,500 371,408	3.18 1.44		
† MR 56	MS 51961-42 MS 51961-42				4.4995 114	4.5008 114	+0/-0.0010 +0/-0.025	.19 5	0.08 2	3440	35,900 159,683	83,500 371,408	3.18 1.44		
† MR 60 SS, S, RS, SRS, RSS		3.7500+0/-0.0005 95.3 +0/-0.013	4.7500 +0/-0.0008 120.7 +0/-0.020	2.000 50.80	4.7495 121	4.7508 121	+0/-0.0010 +0/-0.025	.19 5	0.10 3	1020	31,600 140,557	74,700 332,266	3.38 1.53		
MR 60	MS 51961-43			2.000 50.80	4.7495 121	4.7508 121	+0/-0.0010 +0/-0.025	.19 5	0.10 3	3200	36,500 162,352	87,100 387,421	3.38 1.53		
† MR 64 SS, S, RS, SRS, RSS		4.0000+0/-0.0007 101.6 +0/-0.018	5.0000 +0/-0.0010 127.1 +0/-0.025	2.000 50.80	4.9999 127	5.0011 127	+0/-0.0015 +0/-0.038	.19 5	0.10 3	950	32,000 142,336	80,400 357,619	3.56 1.61		
MR 64	MS 51961-45			2.000 50.80	4.9999 127	5.0011 127	+0/-0.0015 +0/-0.038	.19 5	0.10 3	3000	38,000 169,024	93,800 417,222	3.56 1.61		

For sealed bearings, Outside diameter may be slightly oversize due to seal press fit.

For DS matching as DS suffix to part number

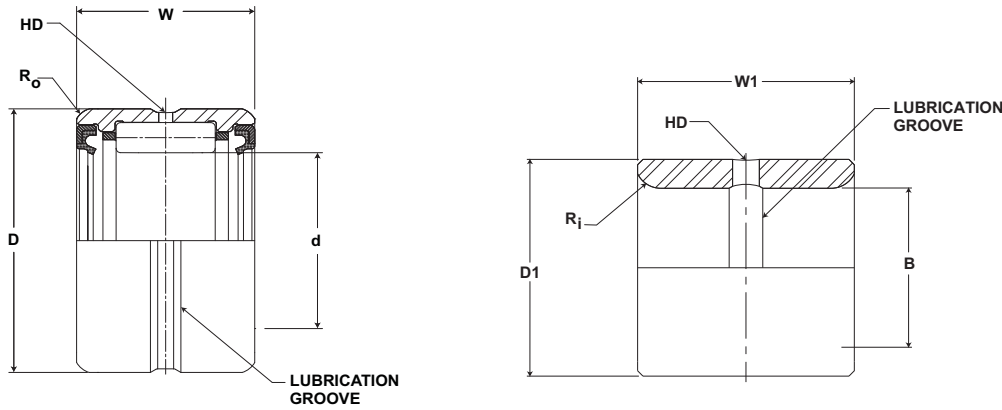
* For bearing properly filled with #1 grease reduce speed by 50%

† Not available from stock. Consult McGill customer service for availability.

Metric dimensions for reference only.

Not all parts are available from stock. Please contact customer service for availability (800) 626-2120.

For more information on bearing capabilities outside of our standard offering, please contact Application Engineering (800) 626-2093.



MR SERIES (continued)

Part No.		Military No.	B		D1		W1	HD	Ri	Recommended Shaft Diameter with inner ring			Inner Weight
McGill Outer Ring & Roller Assembly	Separable Inner Ring Only		Bore Diameter		Outside Diameter		Width	Radial Lub. Hole Diameter	Max Shaft Radius to Clear				lb kg
			inch mm		inch mm		inch mm			inch mm			
			Nom	Tol.	Nom	Tol.	Tol +0/-0.005 (+0/-13)	(Ref)	(Ref)	Rotating	Stationary	Tol.	
MR 40 N	MI 32 N	MS 500072-27	2.0000 50.820	+0/-0.0005 +0/-0.013	2.249 57.1	+0/-0.0007 +0/-0.018	1.510 38.4	.19 4.8	.08 2.0	2.0005 50.833	1.9996 50.812	+0/-0.0005 +0/-0.013	.74 .34
MR 40 SS, S, RS, SRS, RSS	MI 31	MS 500072-26	1.9375 49.232	+0/-0.0005 +0/-0.013	2.249 57.1	+0/-0.0007 +0/-0.018	1.510 38.4	.19 4.8	.08 2.0	1.9380 49.245	1.9371 49.224	+0/-0.0005 +0/-0.013	.97 .44
	MI 32		2.0000 50.820	+0/-0.0005 +0/-0.013	2.249 57.1	+0/-0.0007 +0/-0.018	1.760 44.7	.19 4.8	.08 2.0	2.0005 50.833	1.9996 50.812	+0/-0.0005 +0/-0.013	.87 .39
	MI 34		2.1250 53.996	+0/-0.0006 +0/-0.015	2.249 57.1	+0/-0.0007 +0/-0.018	1.760 44.7	.19 4.8	.08 2.0	2.1258 54.017	2.1247 53.989	+0/-0.0008 +0/-0.020	1.00 .45
MR 44 N	MI 36 N	MS 500072-29	2.2500 57.173	+0/-0.0006 +0/-0.015	2.749 69.8	+0/-0.0007 +0/-0.018	1.510 38.4	.19 4.8	.08 2.0	2.2508 57.193	2.2497 57.165	+0/-0.0008 +0/-0.020	.83 .37
MR 44 SS, S, RS, SRS, RSS	MI 35	MS 500072-28	2.1875 55.584	+0/-0.0006 +0/-0.015	2.749 69.8	+0/-0.0007 +0/-0.018	1.510 38.4	0.19 5	0.08 2	2.1883 55.605	2.1872 55.577	+0/-0.0008 +0/-0.020	1.06 .48
	MI 36		2.2500 57.173	+0/-0.0006 +0/-0.015	2.749 69.8	+0/-0.0007 +0/-0.018	1.760 44.72	0.19 5	0.08 2	2.2508 57.193	2.2497 57.165	+0/-0.0008 +0/-0.020	.97 .44
MR 48 N	MI 40 N	MS 500072-31	2.5000 63.525	+0/-0.0006 +0/-0.015	2.9989 76.202	+0/-0.0007 +0/-0.018	1.510 38.37	.19 4.8	.08 2.0	2.5008 63.545	2.4997 63.517	+0/-0.0008 +0/-0.020	.92 .43
MR 48 SS, S, RS, SRS, RSS	MI 38	MS 500072-30	2.3750 60.349	+0/-0.0006 +0/-0.015	2.9989 76.202	+0/-0.0007 +0/-0.018	1.760 44.72	.19 4.8	.08 2.0	2.3758 60.369	2.3747 60.341	+0/-0.0008 +0/-0.020	1.28 .58
	MI 39		2.4375 61.937	+0/-0.0006 +0/-0.015	2.9989 76.202	+0/-0.0007 +0/-0.018	1.510 38.37	.19 4.8	.08 2.0	2.4383 61.957	2.4372 61.929	+0/-0.0008 +0/-0.020	1.05 .47
	MI 40		2.5000 63.525	+0/-0.0006 +0/-0.015	2.9989 76.202	+0/-0.0007 +0/-0.018	1.760 44.72	.19 4.8	.08 2.0	2.5008 63.545	2.4997 63.517	+0/-0.0008 +0/-0.020	1.07 .48
† MR 52 SS, S, RS, SRS, RSS	MI 42		2.6250 66.701	+0/-0.0006 +0/-0.015	3.2487 82.549	+0/-0.0009 +0/-0.023	1.760 44.72	.19 4.8	0.08 2	2.6258 66.722	2.6247 66.694	+0/-0.0008 +0/-0.020	1.12 .51
MR 52	MI 44	MS 500072-32	2.7500 69.878	+0/-0.0006 +0/-0.015	3.2487 82.549	+0/-0.0009 +0/-0.023	1.760 44.72	0.19 5	0.08 2	2.7508 69.898	2.7497 69.870	+0/-0.0008 +0/-0.020	1.17 .53
MR 56 N	MI 48 N		3.0000 76.230	+0/-0.0006 +0/-0.015	3.4987 88.902	+0/-0.0009 +0/-0.023	1.760 44.72	.25 6.4	.08 2.0	3.0008 76.250	2.9997 76.222	+0/-0.0008 +0/-0.020	1.32 .59
MR 56 SS, S, RS, SRS, RSS	MI 46		2.8750 73.054	+0/-0.0006 +0/-0.015	3.4987 88.902	+0/-0.0009 +0/-0.023	2.010 51.07	0.25 6	0.08 2	2.8758 73.074	2.8747 73.046	+0/-0.0008 +0/-0.020	1.30 .59
MR 56	MI 47	MS 500072-34	2.9375 74.642	+0/-0.0006 +0/-0.015	3.4987 88.902	+0/-0.0009 +0/-0.023	2.010 51.07	0.25 6	0.08 2	2.9383 74.662	2.9372 74.634	+0/-0.0008 +0/-0.020	1.58 .72
	MI 48		3.0000 76.230	+0/-0.0006 +0/-0.015	3.4987 88.902	+0/-0.0009 +0/-0.023	2.010 51.07	0.25 6	0.08 2	3.0008 76.250	2.9997 76.222	+0/-0.0008 +0/-0.020	1.43 .65
† MR 60 SS, S, RS, SRS, RSS	MI 50	MS 500072-35	3.1250 79.406	+0/-0.0006 +0/-0.015	3.7487 95.254	+0/-0.0009 +0/-0.023	2.010 51.07	.25 6.4	.10 2.5	3.1260 79.432	3.1246 79.396	+0/-0.0010 +0/-0.025	1.88 .85
	MI 52	MS 500072-36	3.2500 82.583	+0/-0.0006 +0/-0.015	3.7487 95.254	+0/-0.0009 +0/-0.023	2.010 51.07	0.25 6.4	0.10 2.5	3.2510 82.608	3.2496 82.572	+0/-0.0010 +0/-0.025	1.52 .69
† MR 64 SS, S, RS, SRS, RSS	MI 54	MS 500072-38	3.3750 85.759	+0/-0.0008 +0/-0.020	3.9985 101.602	+0/-0.0009 +0/-0.023	2.010 51.07	.25 6.4	.10 2.5	3.3760 85.784	3.3746 85.749	+0/-0.0010 +0/-0.025	2.04 .93
	MI 56		3.5000 88.935	+0/-0.0008 +0/-0.020	3.9985 101.602	+0/-0.0009 +0/-0.023	2.010 51.07	0.25 6.4	0.10 2.5	3.5010 88.960	3.4996 88.925	+0/-0.0010 +0/-0.025	1.63 .74

† Not available from stock. Consult McGill customer service for availability.