



Torq/Gard® Clutch Installation, Operation and Maintenance Instructions

Regal Beloit America, Inc.
7120 New Buffington Road
Florence, KY 41042
Application Engineering: 800 626 2093
www.regalbeloit.com

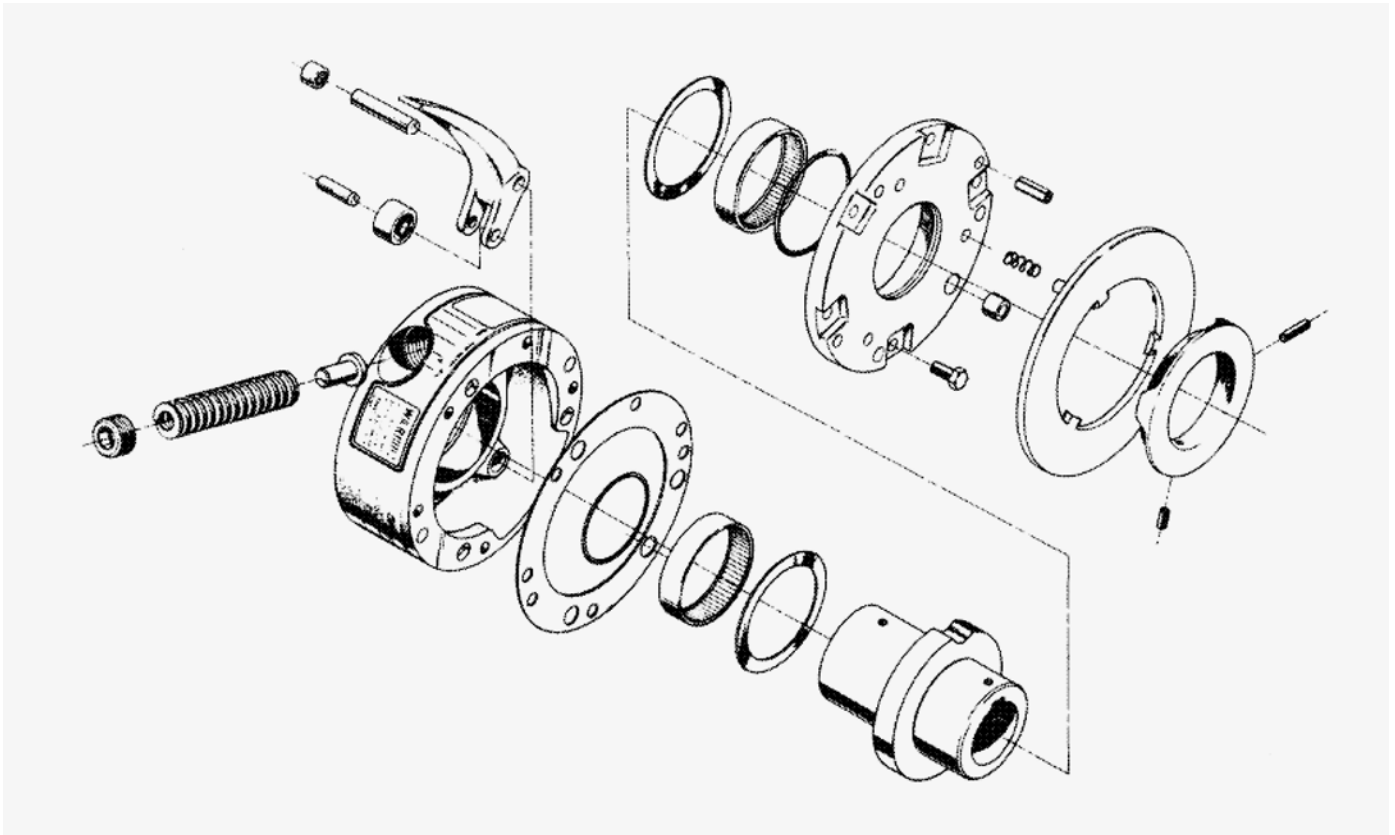
FORM
8322E
Revised
January 2019

⚠ WARNING

- Read and follow all instructions carefully.
- Disconnect and lock out power before installation and maintenance. Working on or near energized equipment can result in severe injury or death.
- Do not operate equipment without guards in place. Exposed equipment can result in severe injury or death.

⚠ CAUTION

- Periodic inspections should be performed. Failure to perform proper maintenance can result in premature product failure and personal injury.



REGAL[®]

Installation–Operation and Maintenance Instructions

1. Read your Torq/Gard® Clutch Installation-Operation Instructions thoroughly before operating the unit, for your safety and the protection of your equipment.
2. Double check to be sure the power is off and cannot be turned on while working on the equipment.
3. Electrical power should be disconnected at the fuse box, circuit breaker or motor starter.
4. The Torq/Gard clutch is designed to protect your machine and will not protect against bodily injury.
5. Keep all objects such as hands, clothing, tools, etc. away from rotating or moving parts.
6. Use safety glasses or equivalent to protect your eyes.
7. Do not manually re-engage the Torq/Gard clutch. (Refer to "Automatic Reset" instruction.)
8. Do not adjust the torque while the clutch is disengaged. (Refer to "Torque Setting" instruction.)
9. Do not exceed the recommended maximum rpm. (Refer to Torq/Gard Clutch Rating Chart.)
10. The detector mechanism must electrically disconnect the prime mover at the recommended rpm settings. (Refer to "Overload Detection" instruction.)
11. Shaft mounting setscrews must clear the mounting bosses or the clutch will not release upon overload. (Refer to "Mounting the Torq/Gard Clutch" instruction.)
12. Shaft and detector mounting setscrews must be tight and the recommended number used. (Refer to "Mounting the Torq/Gard Clutch" instruction.)

The above list includes major safety points to be observed, but should not be considered as limiting in safety precautions to be followed.

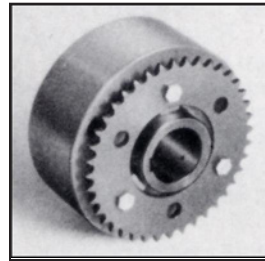
Operating Principle

Torq/Gard overload clutches help protect the entire drive train of your machinery from damage due to excessive torque generated by overloads and jamming. The torque is adjusted by turning the single hex-socket head control which adjusts the Torq/Gard clutch to any setting within its load range. A spring-loaded cam follower seated in a single hub cam detent causes the hub and clutch body to rotate as a unit. When the pre-set torque limit is exceeded by an overload condition, the follower is released from the cam detent, disconnecting the hub from the body. Either the hub or the body may be used as the input or output.

Note: During overload, the Torq/Gard clutch produces a loud audible report, which is a normal operating characteristic of the clutch. In direct coupled applications, the modular designed Torq/Gard can be used with Browning® Ever-Flex™ couplings or chain coupling kits, without modification to the clutch or couplings. Split taper bushings are available for the coupling output.

Browning Torq/Gard single strand sprockets, for No. 40, 60, 80, and 100 ANSI Standard roller chain drives, mount directly to the clutch.

Browning® Torq/Gard® Gearbelt pulleys are also available for 1/2" pitch belts.



Before mounting the clutch on the driving or driven shaft, your choice of coupling or sprocket should be attached to the Torq/Gard clutch.

Sprocket Installation

Browning Torq/Gard single strand sprockets register with the drilled and tapped mounting lugs on the adapter end of clutch. Torq/Gard chain drives can be used as the driving or driven member. See page 8 for sprocket availability.

1. Place the sprocket on the registered mounting lugs.
2. Select the correct length hex head capscrews (3 required) from Table A.

NOTICE Short screws may strip the mounting lug threads.

3. For maximum locking effect, (medium) spring lock washers should be used under the hex head capscrews.

Table A–Sprocket Mounting Hardware

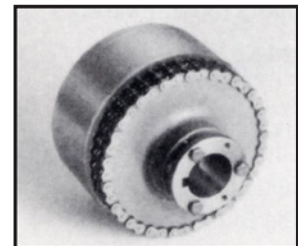
TG3/6	TG35A_K	#8-32 X .50 HHCS
TG20	20TG40A_K	#10-24 X .62 HHCS
TG60	TG40A_K	1/4-20 X .75 HHCS
TG200	TG60A_K	3/8-16 X 1.00 HHCS
TG400	TG80A_K	1/2-13 X 1.50 HHCS
TG800	TG100A_K	1/2-13 X 1.75 HHCS

Gearbelt Pulley Installation

Follow the above mounting instructions for the Browning Torq/Gard Gearbelt pulleys, using the longer hex head capscrews supplied with the pulleys.

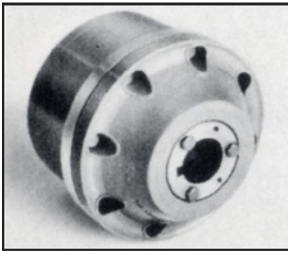
Chain Coupling Installation

1. Select the Browning chain coupling components from page 8 for the applicable Torq/Gard clutch model.
2. Mount the single strand sprocket per the above "Sprocket Installation" instructions.
3. Place the Browning Split Taper® bushing sprocket over the single sprocket, with the corresponding teeth in alignment.
4. Secure the two sprockets by wrapping the double strand roller chain around the sprockets, insuring that the sprocket teeth fully engage the chain.
5. Insert the chain connecting link in the chain ends and lock with the spring clip (supplied with the connecting link).



When assembled correctly, the split taper bushing sprocket will "float" for maximum misalignment capability.

Ever-Flex Coupling Installation



1. Select the correct Ever-Flex™ coupling and adapter plate from page 8.

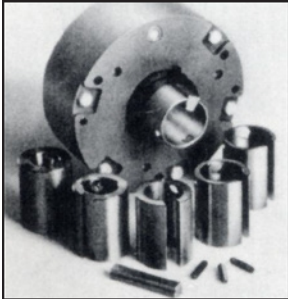
2. Attach the adapter plate to the Torq/Gard® clutch mounting lugs with three (3) allen flat head capscrews supplied with the adapter.

3. Mount the Ever-Flex half coupling on the adapter plate with

the eight (8) hex head capscrews supplied with the adapter plate.

(Quantity 10 hex head capscrews are supplied with adapter plate 400CAP9 and 800CAP10.)

Mounting the Torq/Gard Clutch



The Torq/Gard clutch hub is machined to its maximum bore diameter. Shafts smaller than the maximum diameter are accommodated with standard Browning® Torq/Gard® bushing kits as shown on page 6. The bushing kits are complete with bushing, key and shaft setscrews.

Note: Six (6) setscrews are supplied

in four (4) lengths.

WARNING! The correct length setscrews must be used as the clutch will not release if the setscrews extend beyond the hub and hit the adapter mounting lugs.

The Torq/Gard clutch can be shaft mounted from the adapter or detector end of the hub. The required shaft set screw lengths vary depending on the bushing selected. They will also vary in length if used on the detector end in conjunction with the detector mechanism.

Tables B, C and D include all set screw combinations for any bushing or mounting option.

Example 1:

A TGC60 clutch requires a .750 inch diameter shaft mounted on the adapter end.

Selection: A Browning 60BU012 bushing kit is chosen from page 6.

The correct setscrews from Table B (adapter end):

Qty. 2 .190-32UNF-2A x .50 Long

Qty. 1 .190-32UNF-2A x .19 Long (over key)

Example 2:

A TGC60 clutch requires a .750 inch diameter shaft mounted on the detector end with the detector mechanism.

The correct setscrews from Table B (detector end):

Qty. 2 .190-32UNF-2A x .75 Long

Qty. 1 .190-32UNF-2A x .38 Long (over key)

Note: If the bushing was used on the detector end without the

Detector End		
Shaft Dia.	Set Scr. Length (2) Req'd. to Retain Detector Cam	Set Scr. Length (1) Req'd. to Retain Detector Cam Over Key
.750 Dia.	.190-32UNF-2A x .75 Lg.	.190-32UNF-2A x .38 Lg.
.9375 Dia./1.125 Dia.	.190-32UNF-2A x .62 Lg.	.190-32UNF-2A x .38 Lg.
1.250 Dia.	.190-32UNF-2A x .50 Lg.	.190-32UNF-2A x .38 Lg.

Adapter End		
Shaft Dia.	Set Scr. Length (2) Req'd. @ Adapter End of Clutch	Set Scr. Length (1) Req'd. Over Key@ Adapter End of Clutch
.750 Dia.	.190-32UNF-2A x .50 Lg.	.190-32UNF-2A x .19 Lg.
.9375 Dia./1.125 Dia.	.190-32UNF-2A x .38 Lg.	.190-32UNF-2A x .19 Lg.
1.250 Dia.	.190-32UNF-2A x .25 Lg.	.190-32UNF-2A x .19 Lg.

Table C-TGC200 Clutch Detector End		
Shaft Dia.	Set Scr. Length (2) Req'd. to Retain Detector Cam	Set Scr. Length (1) Req'd. to Retain Detector Cam Over Key
.9375 Dia./1.250 Dia.	.250-20UNC-2A x 1.0 Lg.	.250-20UNC-2A x .50 Lg.
1.250 Dia./1.500 Dia.	.250-20UNC-2A x .88 Lg.	.250-20UNC-2A x .50 Lg.
1.500 Dia./1.750 Dia.	.250-20UNC-2A x .75 Lg.	.250-20UNC-2A x .50 Lg.
1.750 Dia./1.9375 Dia.	.250-20UNC-2A x .62 Lg.	.250-20UNC-2A x .50 Lg.

Adapter End		
Shaft Dia.	Set Scr. Length (1) Req'd. @ Adapter End of Clutch	Set Scr. Length (2) Req'd. Over Key@ Adapter End of Clutch
.9375 Dia./1.250 Dia.	.250-20UNC-2A x .75 Lg.	.250-20UNC-2A x .25 Lg.
1.250 Dia./1.500 Dia.	.250-20UNC-2A x .62 Lg.	.250-20UNC-2A x .25 Lg.
1.500 Dia./1.750 Dia.	.250-20UNC-2A x .50 Lg.	.250-20UNC-2A x .25 Lg.
1.750 Dia./1.9375 Dia.	.250-20UNC-2A x .38 Lg.	.250-20UNC-2A x .25 Lg.

Table D-TGC400 and TGC800 Clutch Detector End		
Shaft Dia.	Set Scr. Length (2) Req'd. to Retain Detector Cam	Set Scr. Length (1) Req'd. to Retain Detector Cam Over Key
.375 Dia./1.688 Dia.	.375-16UNC-2A x 1.25 Lg.	.375-16UNC-2A x .62 Lg.
1.750 Dia./2.125 Dia.	.375-16UNC-2A x 1.00 Lg.	.375-16UNC-2A x .62 Lg.
2.125 Dia./2.4375 Dia.	.375-16UNC-2A x .88 Lg.	.375-16UNC-2A x .62 Lg.

Adapter End		
Shaft Dia.	Set Scr. Length (2) Req'd. @ Adapter End of Clutch	Set Scr. Length (1) Req'd. @ Adapter End Over Key of Clutch
1.375 Dia./1.688 Dia.	.375-16UNC-2A x .88 Lg.	.375-16UNC-2A x .38 Lg.
1.750 Dia./2.125 Dia.	.375-16UNC-2A x .62 Lg.	.375-16UNC-2A x .38 Lg.
2.125 Dia./2.4375 Dia.	.375-16UNC-2A x .50 Lg.	.375-16UNC-2A x .38 Lg.

detector, the selection would be the same as Example 1.

1. Select the Browning Torq/Gard bushing kit from page 8.
2. Refer to tables B, C or D for the correct shaft setscrews. (3 required)
3. Slide the bushing with the mating key on the shaft.

Note: The use of Loctite® C5 - anti-seize lubricant is recommended to ease assembly of the bushing to the shaft and the clutch to the bushing.

Loctite is believed to be the trademark and/or trade name of Henkel IP & Holding GmbH and is not owned or controlled by Regal Beloit Corporation.



4. The shaft length must be at least equal to the bushing length to insure engagement of the Torq/Gard® clutch bearings. Limited shaft lengths or high overhung load applications require additional outboard bearing support. Browning® bushings are manufactured specifically to fit the entire length of the hub which provides additional support. Again, check Tables B, C or D to insure that the correct length setscrews are used and that they will engage the shaft.

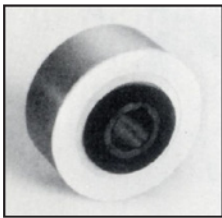
5. Apply Permabond® HM118 to the setscrews and mating tapped holes in the Clutch hub.

WARNING! High inertia loads, reversing loads, excessive vibration or continual tripping may require the use of Permabond® HM160.

6. Tighten setscrews against shaft and key.

WARNING! Improper length or incorrectly installed setscrews can prevent device from disengaging if torque overload occurs. Setscrew cannot extend beyond hub on adapter end or hub of detector cam. Serious injury to persons or damage to equipment could occur.

Overload Detection



The axial movement of the detector mechanism, when used in conjunction with a limit/prox. switch, electrically disconnects the prime mover (motor) from the load. The detector mechanism consists of a spring loaded plate mounted on the clutch cover plate cam. When an overload occurs, the cam releases the detector plate a sufficient distance to actuate a limit/prox. switch.

When the overload has been cleared, the re-engagement of the clutch automatically resets the detector mechanism.

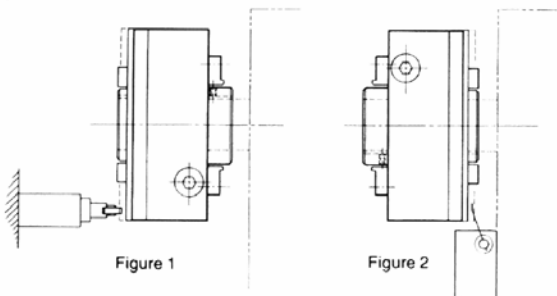
NOTICE Detector systems are recommended on all applications and mandatory on the following:

TG60/TG200 - At speeds over 100 RPM
TG-400/TG800 - At all speeds

High shock loads can occur, depending on the type of jam or overload. The detector system further protects your equipment under these conditions. On high inertia applications, breaking the prime mover may have to be considered.

1. The limit/prox. switch must have a rigid mounting.
2. Locate the limit/prox. switch so the detector plate travel will acuate the limit/prox. switch.

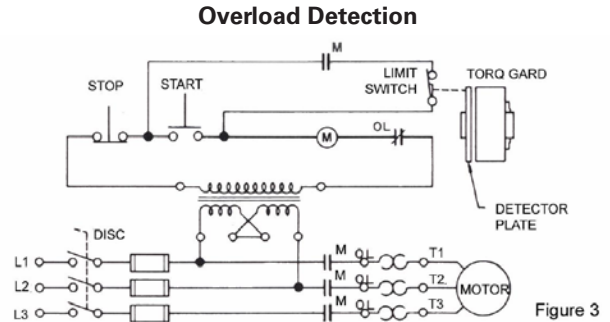
Note: Refer to Figure 1 and Figure 2 for typical installations. Figure 1 mounting is preferred for reasons of rigidity.



Permabond is believed to be the trademark and/or trade name of Loxeal, srl and is not owned or controlled by Regal Beloit Corporation.

3. Refer to the Torq/Gard clutch dimension prints on page 8 for the detector plate "travel".
4. When mounting the limit/prox. switch, consult the manufacturer's specifications for pre-travel and over-travel.
5. Wire the limit/prox. switch in parallel with the "start" contactor to permit motor starting after the overload has been cleared.

Note: Refer to Figure 3 "Typical Wiring Diagram". Limit/prox. switches are available with additional contacts to further actuate warning alarm systems.



6. The detector mechanism can be installed in the field.
 - A. Place the three (3) detector springs in the three shallow holes in the Torq/Gard clutch cover.
 - B. Place the "white" detector plate guide pins in the three deep holes in the cover.

Note: The pins are registered to fit in one position only.

- C. Place the "black" detector cam on the clutch hub with flat side up.
- D. Rotate the cam until each cam lobe is directly over the detector plate ears and the set screw holes are aligned with the set screw holes in the hub.

Note: The clutch must be in its engaged position for proper alignment of the detector mechanism.

- E. Secure the detector cam to the clutch hub with the correct length setscrews, using Permabond HM118. (Refer to Tables B, C or D for the correct shaft setscrews.)

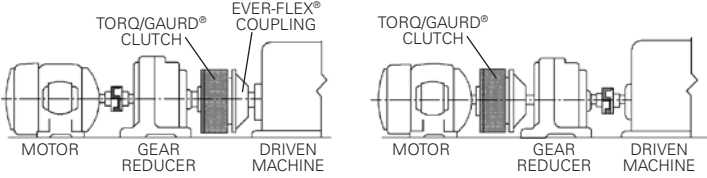
NOTICE Factory mounted detector mechanisms utilize setscrews for shipping purposes only. The correct length of the setscrews is determined by the shaft diameter used. Setscrew cannot extend beyond hub of detector cam or damage to equipment could occur.

Torque Setting

The torque is adjustable within the nameplate torque limits of the clutch. Determine the operating and tripping torque required to drive your machine.

- A. Operating torque is the normal full load torque required by the application.
- B. Tripping torque, which is usually higher than operating torque, depends on the starting torque requirements of the application and the location of the Torq/Gard clutch.
- C. Mounting the clutch away from the motor tends to absorb peak starting torques through power transmission and machine components. (Refer to Fig. 4.)
- D. Tripping torque should be set higher than the point at which the clutch will "nuisance trip" on starting, but below the maximum torque value the machine can safely absorb.

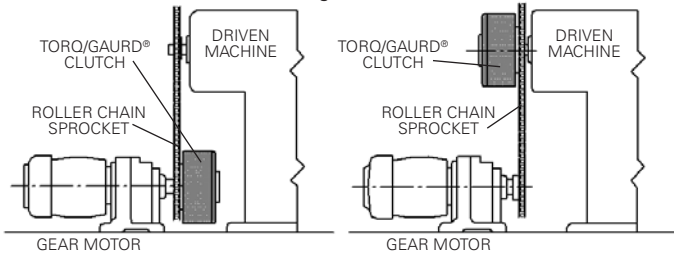
Figure 4



Direct drive application with the Torq/Gard® clutch mounted on the low speed output shaft of the reducer. The Torq/Gard clutch is shown with a Browning® Ever-Flex™ half coupling which mounts on the clutch adapter without modification. Browning chain coupling kits are also available for the Torq/Gard clutch when greater misalignment capabilities are required. Either side of the Torq/Gard clutch can be used as the input.

The Torq/Gard clutch should not be used on the high speed input side of the reducer. Clutch sensitivity becomes a function of the reducer's gear ratio. As an example, when used with a 100 to 1 reducer, a 100 inch-pound torque variation on the output side will reflect only a 1 inch-pound change on the input side. Do not exceed the maximum RPM shown in the Torq/Gard clutch selection table.

Figure 4



Mounting the clutch on the output of the gear motor or reducer provides the most economical clutch assembly. The Torq/Gard clutch is designed to protect the weakest link in the drive system.

The Torq/Gard clutch is mounted on the driven machine and powered through a chain and sprocket drive. Mounting the clutch in this position tends to absorb peak starting torques.

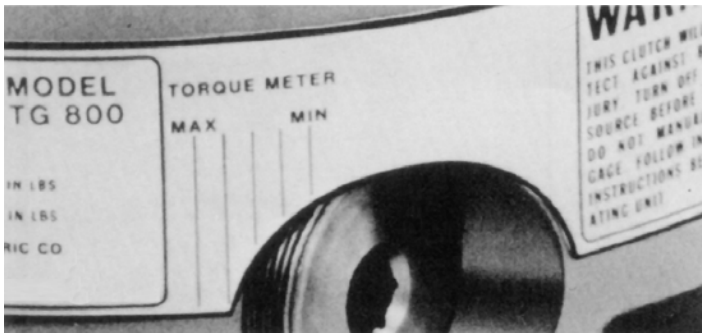
The Torq/Gard® clutch is delivered with the torque set at the low end of its torque range.

1. Turn the single hex-socket head adjusting nut clockwise to increase the torque setting. (Refer to Table E.) Note: 1/2 inch hex-keyed (allen) wrench is required.

Table E

MODEL	APPROXIMATE TORQUE (IN.-LBS.) PER TURN	MAXIMUM TURNS
TG-3	2.67	7.5
TG-6	4.4	7.5
TG-20	11	13
TGC60	50	8
TGC200	100	11
TGC400	225	9
TGC800	450	9

2. Sighting the front face of the adjusting nut with the torque meter lines on the nameplate indicates the approximate torque setting.



3. The "Min." line on the nameplate is the point at which the adjusting nut is threaded. Before setting the torque, Permabond® HM118 should be applied to the exposed threads.

Permabond is believed to be the trademark and/or trade name of Loxeal, srl and is not owned or controlled by Regal Beloit Corporation.

4. The first line on the torque meter beyond "Min." represents the low torque setting.

NOTICE The clutch should not be operated at torque settings below this "Min. line or potential for equipment damage could occur.

5. Do not set the torque if the clutch is disengaged as an erroneous torque setting will result.

NOTICE Do not remove the adjusting nut. Extremely fine threads are used to reduce the possibility of the adjusting nut losing its setting. If the adjusting nut is removed for any reason, (including lubrication) upon replacing, hand thread the first few turns or cross threading may occur.

The Torq/Gard clutch is delivered with the torque set at the low end of its torque range.

Tripping torque can be established by progressively increasing the torque setting until the clutch no longer trips under starting loads. If the tripping torque value is known, the clutch may be pre-set with a torque wrench or a torque arm and calibrated spring scale.

The Torq/Gard clutch may also be sized by applying one of the following formulas:

$$\text{Torque (In.-lbs.)} = \text{Horsepower (HP)} \times 63025 / \text{RPM}$$

$$\text{OR Horsepower} = \text{Torque (In.-lbs.)} \times \text{RPM} / 63025$$

Tripping Torque = Operating Torque x Service Factor

NOTICE The nameplate contains a sensitized "rectangle" on which the torque setting may be recorded with ball point pen or a numbering die to help ensure the correct torque setting is applied for equipment protection.

WARNING! The Torq/Gard clutch is not a fail-safe device and cannot be used on "overhauling" or "holding" load applications. Use of this product as a fail-safe device could lead to death or serious injury.

TORQ/GARD® CLUTCH RATINGS

MODEL	Torque (in-lbs)		HP Max	RPM Max	Weight (lbs)	Inertia (WK2)	Bore Dia. Max (inches)
	Min	Max					
TG-3	13	32	1.5	1800	1.5	1.4	1/2
TG-6	23	56	2.5	1800	1.5	1.4	1/2
TG-20	56	203	4	1800	2.5	5.7	3/4
TGC60	200	600	8.5	900	5.5	10	1-1/4
TGC200	600	2000	21.5	680	12	46	1-15/16
TGC400	2000	4000	22.2	350	38	455	2-7/16
TGC800	4000	8000	44.4	350	38	455	2-7/16

Automatic Reset



The Torq/Gard clutch is automatically reset by "jogging" the motor after the overload has been corrected. At speeds under 50 rpm the Torq/Gard clutch will re-engage, without jogging, upon starting the motor. The clutch will not re-engage if the overload exceeds the torque setting.

WARNING! Do not re-engage the Torq/Gard manually. When the clutch snaps into engagement, injury could occur if the operator's hand is near a chain and sprocket or belt drive.

REGAL®



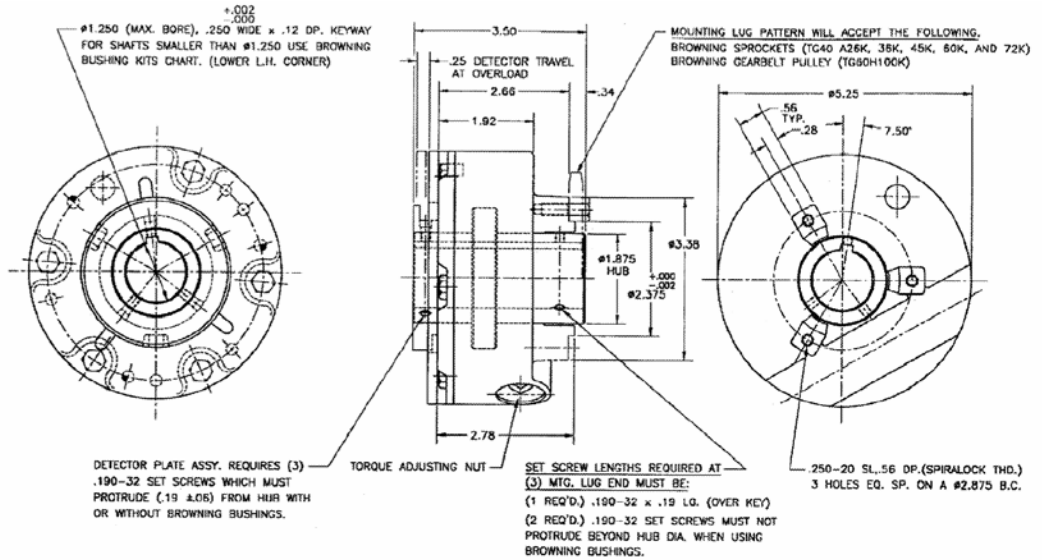
Single Position

The Torq/Gard® clutch always resets in the same position when tripped. All Torq/Gard clutches are fully reversible.

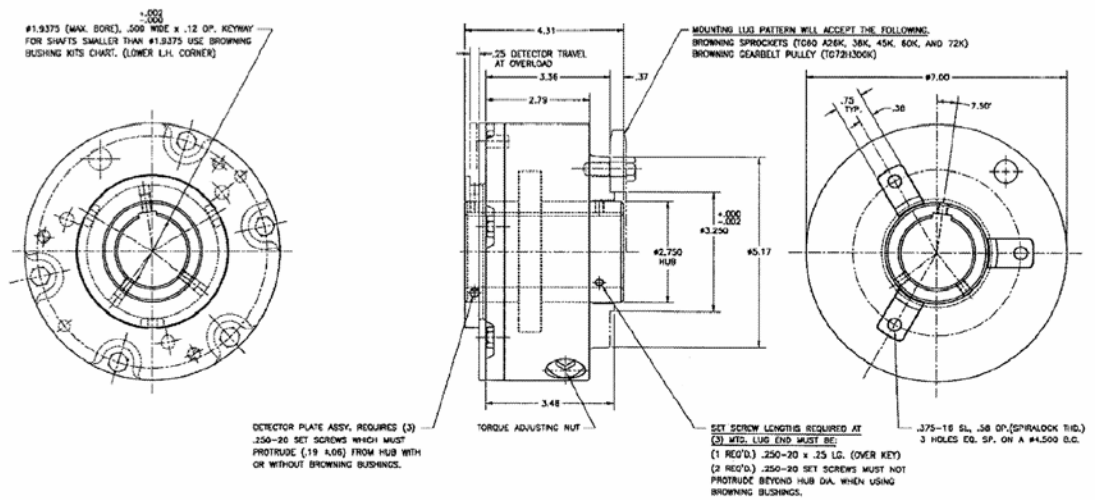
Lubrication

The Torq/Gard clutch is factory lubricated with Mobilith® AW2 and does not require additional lubrication for years, under normal operating conditions. Clutches used in extreme operating applications may be opened for regreasing. Open clutch for greasing by removing torque adjusting nut, detector system, cover bolts and then tap hub end opposite cover with a soft hammer. Do not pry open at cover split line. Apply grease to hub bearing journals, hub cam track, follower, thrust washer surfaces and all needle bearings.

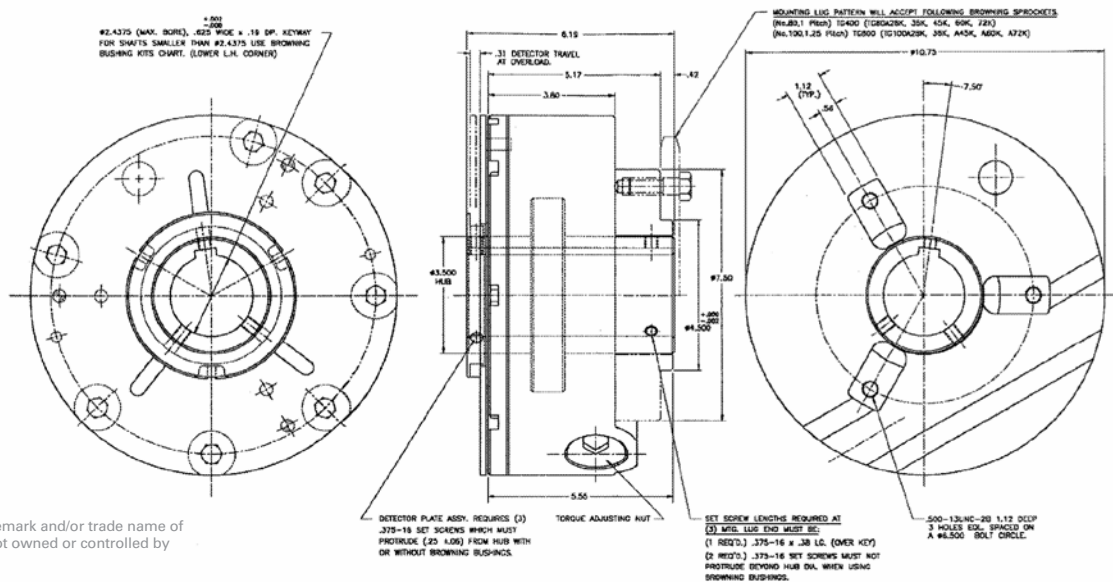
TGC 60



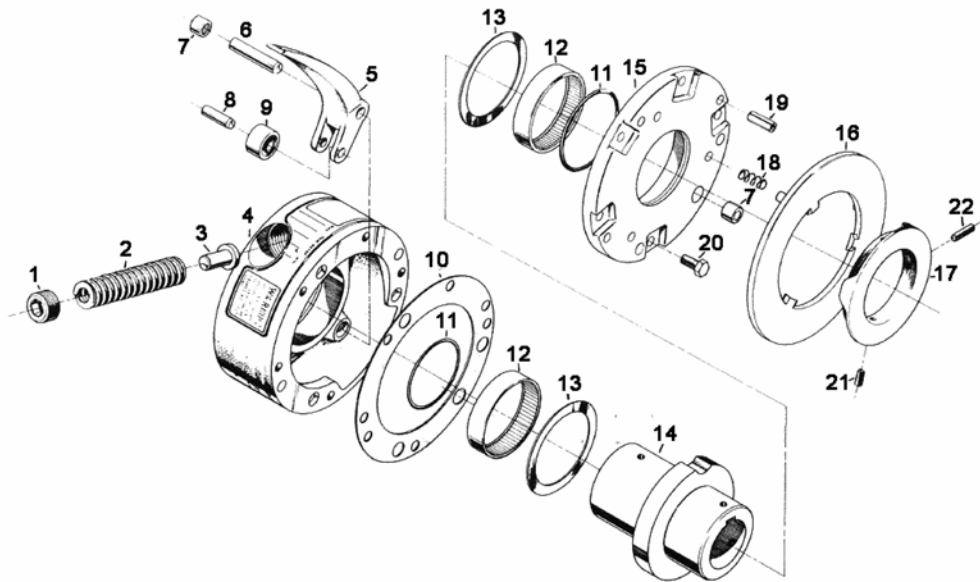
TGC 200



TGC 400 and 800



Mobilith is believed to be the trademark and/or trade name of Exxon Mobil Corporation and is not owned or controlled by Regal Beloit Corporation.



Parts List (Models TG & TGC)

Item	Qty	Description	Part Numbers						
			3	6	20	60	200	400	800
1	1	Adjusting Nut	A-58211	A-58211	A-58238	A-16512	A-16346	B-16680	B-16680
2	1	Spring	A-58255-1	A-58255-2	A-58255-3	A-15731	A-13732	A-16682-1	A-17538-1
2	1	Spring						A-16682-2	A-17538-2
3	1	Button	A-58168	A-58168	A-58171	A-15727	A-13407	A-16685	A-16685
4	1	Body	D-58675	D-58675	C-58695	D-65632	D-65927	D-18715	D-18715
5	1	Lever	B-58202	B-58202	B-58236	B-16510	C-13401	C-16677	C-16677
6	1	Dowel Pin	A-58159	A-58159	A-58165	A-17647	A-17648	A-26007-89	A-26007-89
7	2	Bearing	A-61684	A-61684	A-61687	B-15732-1	A-14407	B-15732-4	B-15732-4
8	1	Dowel Pin	A-58158	A-58158	A-58164	A-17650	A-26007-37	A-26007-65	A-26007-65
9	1	Bearing	A-61685	A-61685	A-61688	A-15730-1	A-14409	A-16683	A-16683
10	1	Gasket	A-58173	A-58173	B-58181	B-73040	C-73044	C-16679	C-16679
11	2	O-Ring	A-58182-1	A-58182-1	A-58182-2	A-15729-2	A-14399	A-15729-3	A-15729-3
12	2	Bearing	A-61683	A-61683	A-61686	B-15732-3	A-14408	B-15732-5	B-15732-5
13	2	Thrust Washer	A-58172	A-58172	A-58174	A-16511	B-13406	B-16681	B-16681
14	1	Drive Hub	B-58609	B-58609	B-58668	B16506	C-76760	D-18719	D-18719
15	1	Cover	B-58250	B-58250	B-58260	C-65649	D-65879	D-16675	D-16675
16	1	Detector Plate	B-58794	B-58794	B-58383	B-17056	C-16927	C-17076	C-17076
16A	1	Prox Detector Plate Assy				B-71122	C-71123	C-71126	C-71126
17	1	Cam-Detect Plate	B-58795	B-58795	B-58385	B-17055	B-76762	C-17077	C-17077
18	3	Spring	A-53740-4	A-53740-4	A-53052-4	A-17059	A-16989	A-17788	A-17788
19	2	Roll Pin	A-26023-35	A-26023-35	A-26023-37	A-73403-1	A-73403-2	A-26023-71	A-26023-71
20	5	Hex HD Cap Screw	A-26015-17	A-26015-17	A-26015-23	A-18874-2	A-26002-15		
20	7	Hex HD Cap Screw						A-18876-2	A-18876-2
21	1	Soc HD Set Screw	A-26005-16	A-26005-16	A-26005-16	A-26005-39	A-26005-45	A-26005-77	A-26005-77
22	2	Soc HD Set Screw	A-26005-17	A-26005-17	A-26005-17	A-26005-40	A-26005-46	A-26005-79	A-26005-79



**Single Strand Sprockets
ANSI Standard Roller Chain
For no. 40, 1/2" pitch**

Model	Sprocket Part No.	Teeth
TGC60	TG40A26K	26
	TG40A36K	36
	TG40A45K	45
	TG40A60K	60
	TG40A72K	70

For no. 60, 3/4" pitch

Model	Sprocket Part No.	Teeth
TGC200	TG60A26K	26
	TG60A36K	36
	TG60A45K	45
	TG60A60K	60
	TG60A72K	70

For no. 80, 1" pitch

Model	Sprocket Part No.	Teeth
TGC400	TG80A28K	26
	TG80A36K	36
	TG80A45K	45
	TG80A60K	60
	TG80A72K	70

Model	Sprocket Part No.	Teeth
TGC800	TG100A28K	26
	TG100A36K	36
	TG100A45K	45
	TG100A60K	60
	TG100A72K	70

Torq/Gard® Clutch Bushing Kits

Model	Shaft Dia.	Bushing Kit No.
TGC60	3/4	60BU012
	7/8	60BU014
	15/16	60BU015
	1	60BU100
	1-1/8	60BU102
	1-1/4	NONE
	20mm	60BU20mm
	22mm	60BU22mm
	24mm	60BU24mm
	25mm	60BU025mm
	28mm	60BU28mm

Model	Shaft Dia.	Bushing Kit No.
TGC200	15/16	200BU015
	1	200BU100
	1-1/16	200BU101
	1-1/8	200BU102
	1-3/16	200BU103
	1-1/4	200BU104
	1-5/16	200BU105
	1-3/8	200BU106
	1-7/16	200BU107
	1-1/2	200BU108
	1-5/8	200BU110
	1-11/16	200BU111
	1-3/4	200BU112
	1-15/16	NONE
	25mm	200BU25mm
	28mm	200BU28mm
	30mm	200BU30mm
	32mm	200BU32mm
	35mm	200BU35mm
	40mm	200BU40mm
	42mm	200BU42mm
	45mm	200BU45mm

Model	Shaft Dia.	Bushing Kit No.
TGC400 AND TGC800	1 1/4	800BU104
	1-3/8	800BU106
	1-7/16	800BU107
	1-1/2	800BU108
	1-5/8	800BU110
	1-11/16	800BU111
	1-3/4	800BU112
	17/8	800BU114
	1-15/16	800BU115
	2	800BU200
	2-1/8	800BU202
	2-3/16	800BU203
	2-1/4	800BU204
	2-7/16	NONE
	40mm	800BU40mm
	42mm	800BU42mm
	48mm	800BU48mm
	55mm	800BU55mm

Torq/Gard Clutch Chain Coupling Kits

Model	Single Strand Sprocket.	Single sprocket for Split Taper Bushing	Coupling Chain w/Link.
TGC60	TG40A26K	40P26	C4026
TGC200	TG60A26K	60P26	C6026
TGC400 TG800	TG80A28K	80028	C8028

**Torq/Gard® Gearbelt® Pulleys
For 1/2" Pitch Belts**

Model	A Part No.	Pitch Dia.	No. of Grooves	Belt Width
TGC60	TG60H100K	9.549	60	1"
TGC200	TG72H300K	11.459	72	3"

Ever-Flex™ Couplings

Model	Coupling Half	Adapter Plate.	Split Taper Bushing
TGC60	CHCFR5H	C18639	H
TGC200	CHCFR8P	C18640	P1
TGC400	CHCFR9Q	C18641	Q1
TGC800	CHCFR10Q	C18642	Q1

