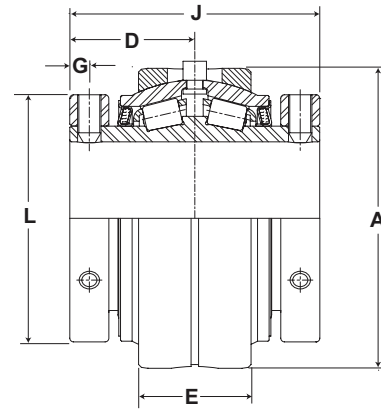




- Rolling Elements:** Tapered Roller
- Housing:** Cylindrical Cartridge Insert
- Self Alignment:** +/- 3 Degrees
- Lock:** Setscrew, Double Collar
- Seal:** Felt
- Optional Seal:** Single Lip Contact
- Temperature:** -20°F to 220°F



Mtd. Tapered Bearings



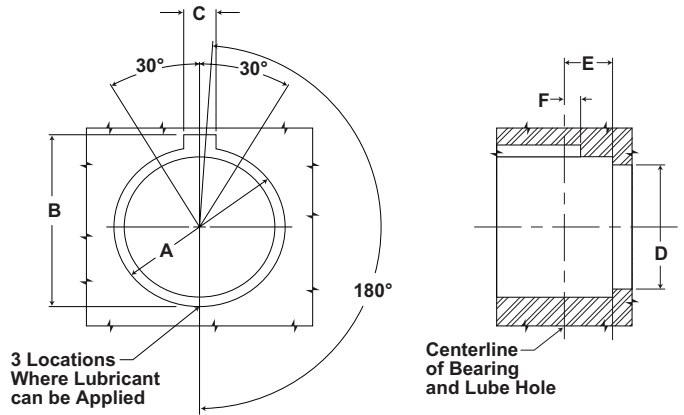
## ERCI Series Replacement Cartridge Insert

Bore Diameter		Part No.	Basic Dynamic Rating lb/N	Dimensions inch / mm						Unit Wt. lb/kg
				A +.000 / -.001	D	E	G	J	L	
inch	mm									
1 3/4	45	ERCI-112								
1 15/16	50	ERCI-45MM	8070	3.937	1 3/4	1 3/4	5/16	3 1/2	3 1/4	6.5
		ERCI-115	35897	100.0	44.5	44.5	7.9	88.9	82.6	2.95
		ERCI-50MM ERCI-200								
2	55	ERCI-55MM	8570	4.437	1 7/8	1 3/4	5/16	3 3/4	3 5/8	7.7
2 3/16	55	ERCI-203	38121	112.7	47.6	44.5	7.9	95.3	92.1	3.49
2 1/4	60	ERCI-204								
2 7/16	65	ERCI-60MM	9030	4.782	2	1 13/16	5/16	4	3 15/16	10.0
		ERCI-207	40167	121.5	50.8	46.0	7.9	101.6	100.0	4.54
		ERCI-208 ERCI-65MM								
2 11/16	70	ERCI-211								
2 3/4	70	ERCI-212								
2 15/16	75	ERCI-70MM	9630	5.374	2 1/4	2	7/16	4 1/2	4 23/32	13.0
		ERCI-215	42836	136.5	57.2	50.8	11.1	114.3	119.9	5.90
		ERCI-75MM ERCI-300								
3 3/16	80	ERCI-80MM								
3 7/16	85	ERCI-303								
		ERCI-85MM	15320	6.593	2 1/2	2 1/4	7/16	5	5 7/16	22.0
		ERCI-307	68147	167.5	63.5	57.2	11.1	127.0	138.1	9.98
		ERCI-308 ERCI-90MM								
3 1/2	95	ERCI-95MM								
3 15/16	100	ERCI-315								
4	105	ERCI-100MM	20980	7.187	3 1/8	3 1/8	1/2	6 1/4	5 15/16	30.0
		ERCI-400	93321	182.5	79.4	79.4	12.7	158.8	150.8	13.61
		ERCI-105MM								
4 7/16	110	ERCI-110MM								
4 1/2	115	ERCI-407	25750	7.999	3 3/8	3 1/4	1/2	6 3/4	6 13/32	38.4
		ERCI-408	114542	203.2	85.7	82.6	12.7	171.5	162.7	17.42
		ERCI-115MM								
4 15/16	120	ERCI-120MM								
		ERCI-125MM	35520	9.061	3 5/8	3 3/4	5/8	7 1/4	7 13/32	55.0
		ERCI-415	158001	230.1	92.1	95.3	15.9	184.2	188.1	24.95
5	125	ERCI-500								

Metric dimensions for reference only.

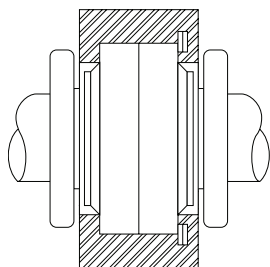
Not all parts are available from stock. Please contact customer service for availability (800) 626-2120.

For more information on bearing capabilities outside of our standard offering, please contact Application Engineering (800) 626-2093.

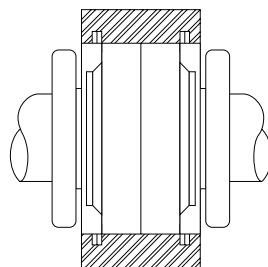


## ERCI Series Housing Bore Dimensions

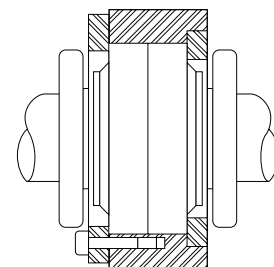
Bore Diameter		Dimensions inch / mm					
inch	mm	A +0.002 / -.000 +0.05 / -.000	B +0.01 / -.00 +0.25 / -.00	C +0.01 / -.00 +0.25 / -.00	D ±0.01 ±.25	E ±0.01 ±.25	F ±0.005 ±.127
1 3/4	45	3.939 100.05	4.12 104.65	.44 11.18	3.63 42.20	.97 24.64	.25 6.35
1 15/16							
2							
	55	4.439 112.75	4.62 117.35	.56 14.22	4.00 101.10	.97 24.64	.38 9.65
2 3/16	60	4.782 121.46	5.01 127.25	.56 14.22	4.38 111.25	1.03 26.16	.38 9.65
2 1/4							
2 7/16							
	65						
2 11/16	70	5.376 136.55	5.50 139.70	.56 14.22	5.12 130.05	1.16 29.46	.38 9.65
2 3/4							
2 15/16							
	75						
3	80	6.595 167.51	6.89 175.01	.75 19.05	6.00 152.40	1.28 32.51	.50 12.70
3 3/16							
3 7/16							
	85						
3 1/2	90	7.189 182.60	7.46 189.48	.75 19.05	6.62 168.15	1.75 44.45	.50 12.70
3 15/16							
4							
	105						
4 7/16	110	8.001 203.23	8.28 210.31	.75 19.05	7.25 184.15	1.81 45.97	.50 12.70
4 1/8							
	115						
4 15/16	120	9.063 230.20	9.34 237.24	.75 19.05	8.50 215.90	2.06 52.35	.50 12.70
5							
	125						



Cartridge Fixed Between Shoulder and Snap Ring



Cartridge Set For Expansion And Held Between Snap Rings



Cartridge Fixed Between Two Types of Collars