

PRODUCT INFORMATION PACKET

Model No: 118009.00
Catalog No: 118009.00
Metric Motor, 180 V, 3000 RPM, 90L Frame, IP54



Regal and are trademarks of Regal Rexnord Corporation or one of its affiliated companies.
©2022 Regal Rexnord Corporation, All Rights Reserved. MC017097E

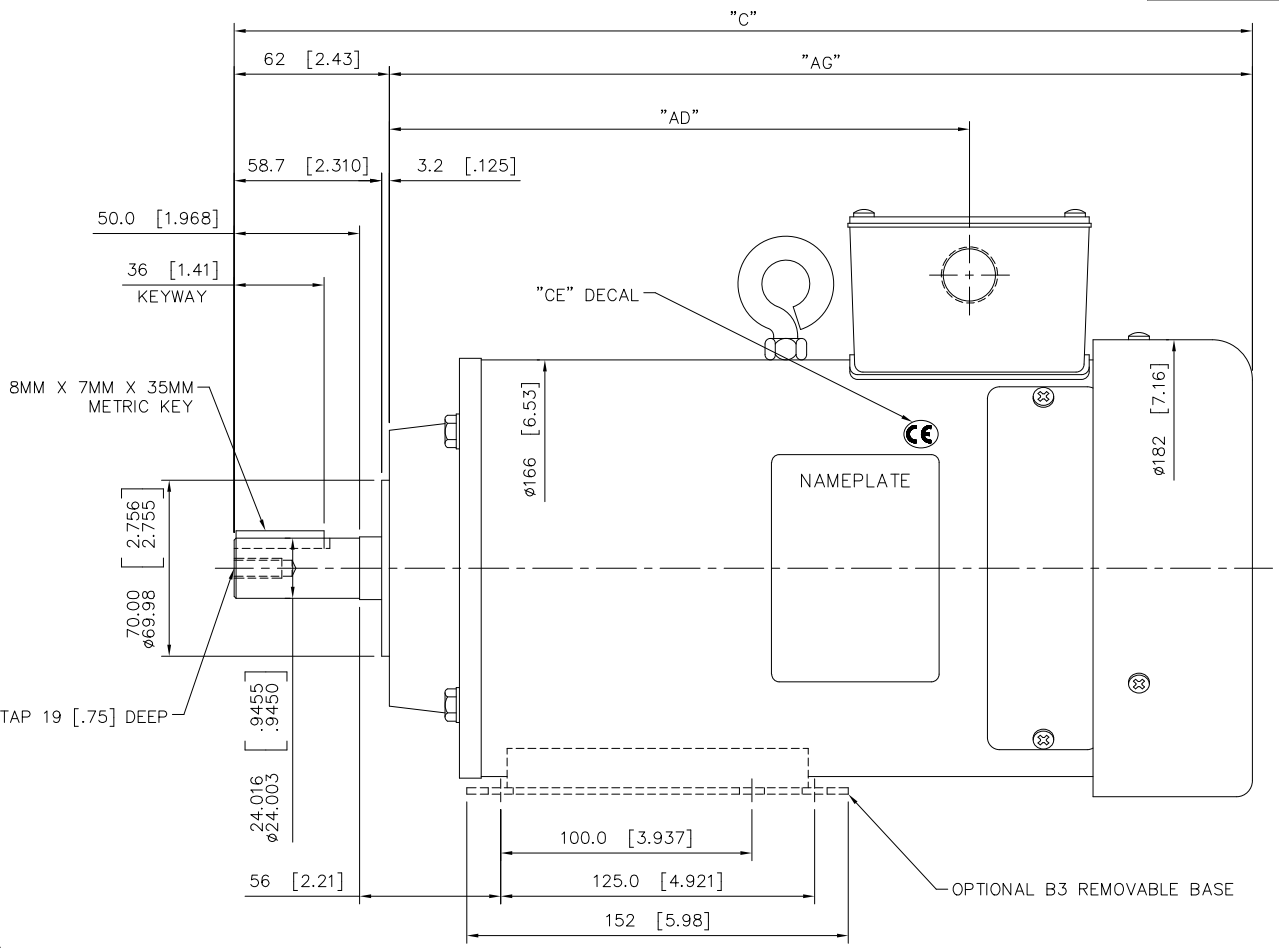
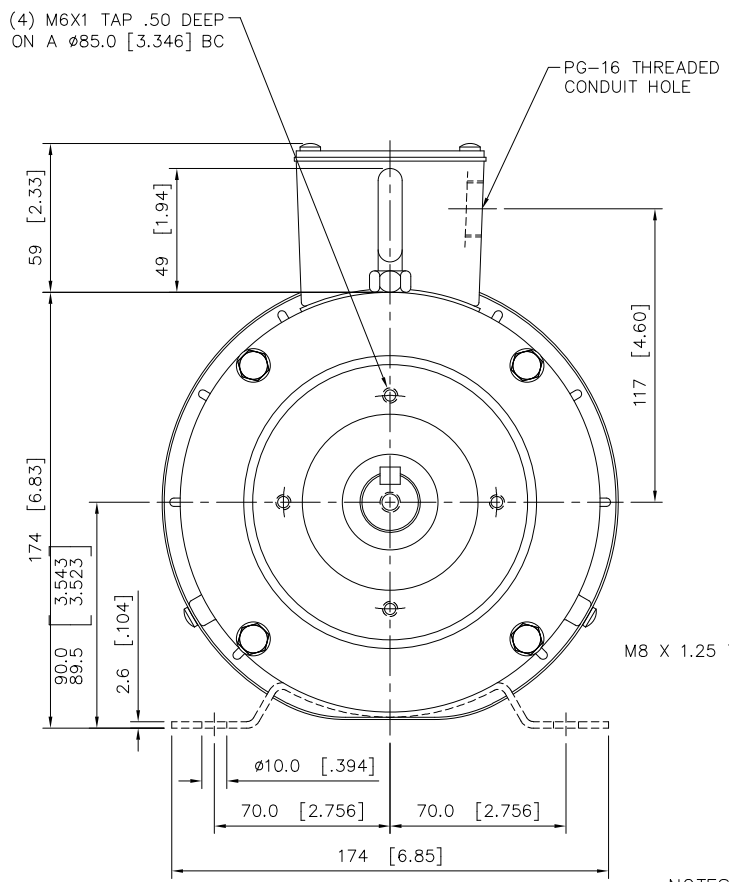
Nameplate Specifications

Output KW	2.2 kW	Voltage	180 V
Current	14.0 A	Speed	3000 rpm
Service Factor	1	Efficiency	73.2 %
Duty	S1	Insulation Class	H
Frame	90L	Enclosure	IP54
Thermal Protection	No Protection	Ambient Temperature	40 °C
Drive End Bearing Size	6205	Opp Drive End Bearing Size	6203
UL	Recognized	CSA	Y
CE	Y		

Technical Specifications

Rotation	Reversible	Mounting	Special
Overall Length	18.47 in	Frame Length	12.63 in
Shaft Diameter	0.937 in	Shaft Extension	2.43 in
Torque	42 LB-IN		
Outline Drawing	034892-F90L	Connection Drawing	00531901

This is an uncontrolled document once printed or downloaded and is subject to change without notice. Date Created:09/19/2022

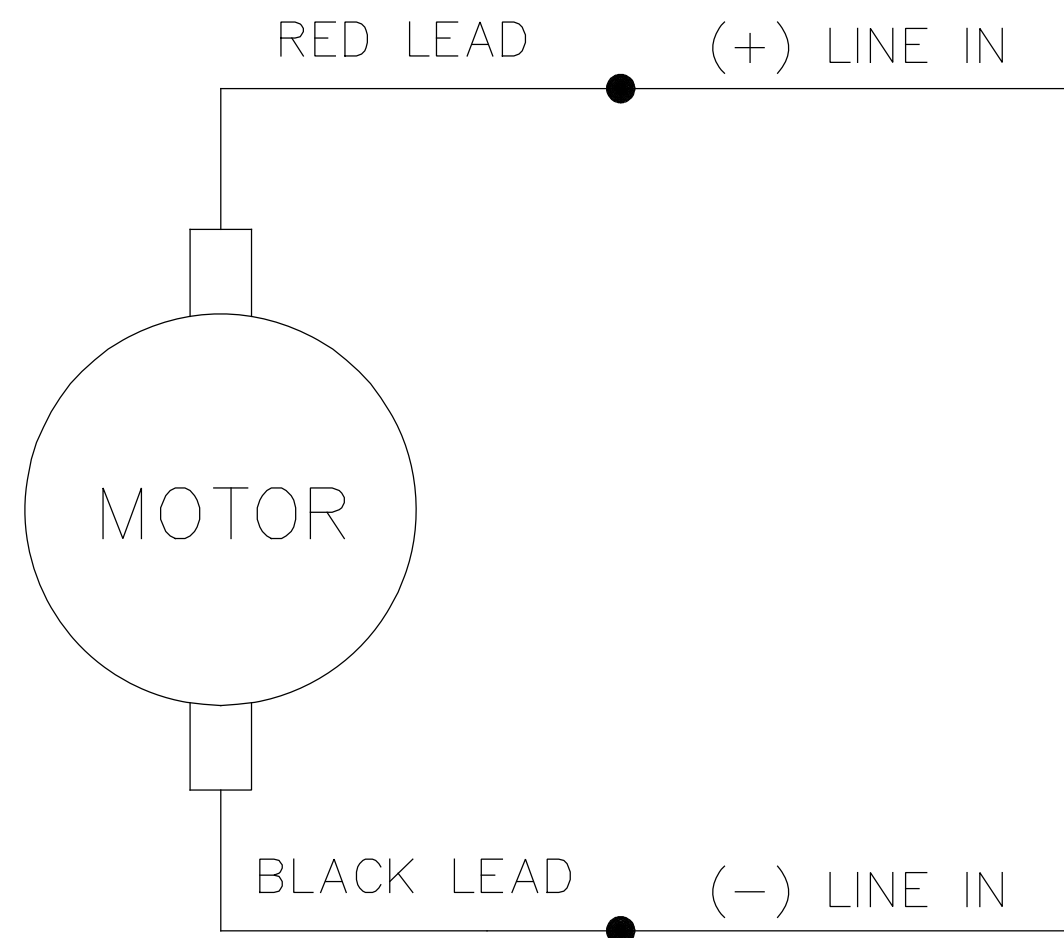


- NOTES:
- 1) MAXIMUM FACE RUNOUT TO BE .004 TIR
 - 2) MAXIMUM PILOT ECCENTRICITY TO BE .004 TIR
 - 3) PERMISSIBLE SHAFT RUNOUT TO BE .002 TIR
 - 4) BUNA-N GASKETS THROUGHOUT
 - 5) OIL SEAL ON SHAFT

FRAME	"C"	"AG"	"AD"
D90L	443.7 [17.47]	381.7 [15.03]	269.0 [10.59]
E90L	456.4 [17.97]	394.4 [15.53]	281.7 [11.09]
F90L	469.1 [18.47]	407.1 [16.03]	294.4 [11.59]
G90L	481.8 [18.97]	419.8 [16.53]	307.1 [12.09]
H90L	494.5 [19.47]	432.5 [17.03]	319.8 [12.59]
J90L	507.2 [19.97]	445.2 [17.53]	332.5 [13.09]
K90L	519.9 [20.47]	457.9 [18.03]	345.2 [13.59]
L90L	532.6 [20.97]	470.6 [18.53]	357.9 [14.09]
M90L	545.3 [21.47]	483.3 [19.03]	370.6 [14.59]
N90L	558.0 [21.97]	496.0 [19.53]	383.3 [15.09]

ITEM REV
002

			TOLERANCES UNLESS OTHERWISE SPECIFIED			LEESON ELECTRIC CORPORATION			
			DEC.	INCHES	METRIC				
C	CHANGED TO MYLAR NAMEPLATE, ECR-0216552	IPG 3/29/22	.X	±.1	±2.5	DRAWN	CJK 2/26/01	TITLE	OUTLINE
01	REDRAWN WITH DUAL DIMENSIONING AND ADDED	SAD 7/16/01	.XX	±.03	±.76	APPR.		IEC 90 FRAME DC MOTOR	
	CE DECAL TO MOTOR ECR 78319		.XXX	±.005	±.127	R.F.P.		MAT'L.	
NO.	REVISION	BY & DATE	CH'K'D.	.XXXX	±.0005	±.0127	SCALE	1=2	
THIS DRAWING IN DESIGN AND DETAIL IS OUR PROPERTY AND MUST NOT BE USED EXCEPT IN CONNECTION WITH OUR WORK ALL RIGHTS OF DESIGN AND INVENTION ARE RESERVED THIS IS AN ELECTRONICALLY GENERATED DOCUMENT - DO NOT SCALE THIS PRINT			FRACTIONS	±1/64	REF.	033999	FINISH	STOCK	REV. C
			ANGLES	±1/2°	FMF			DRAWING NO.	034892



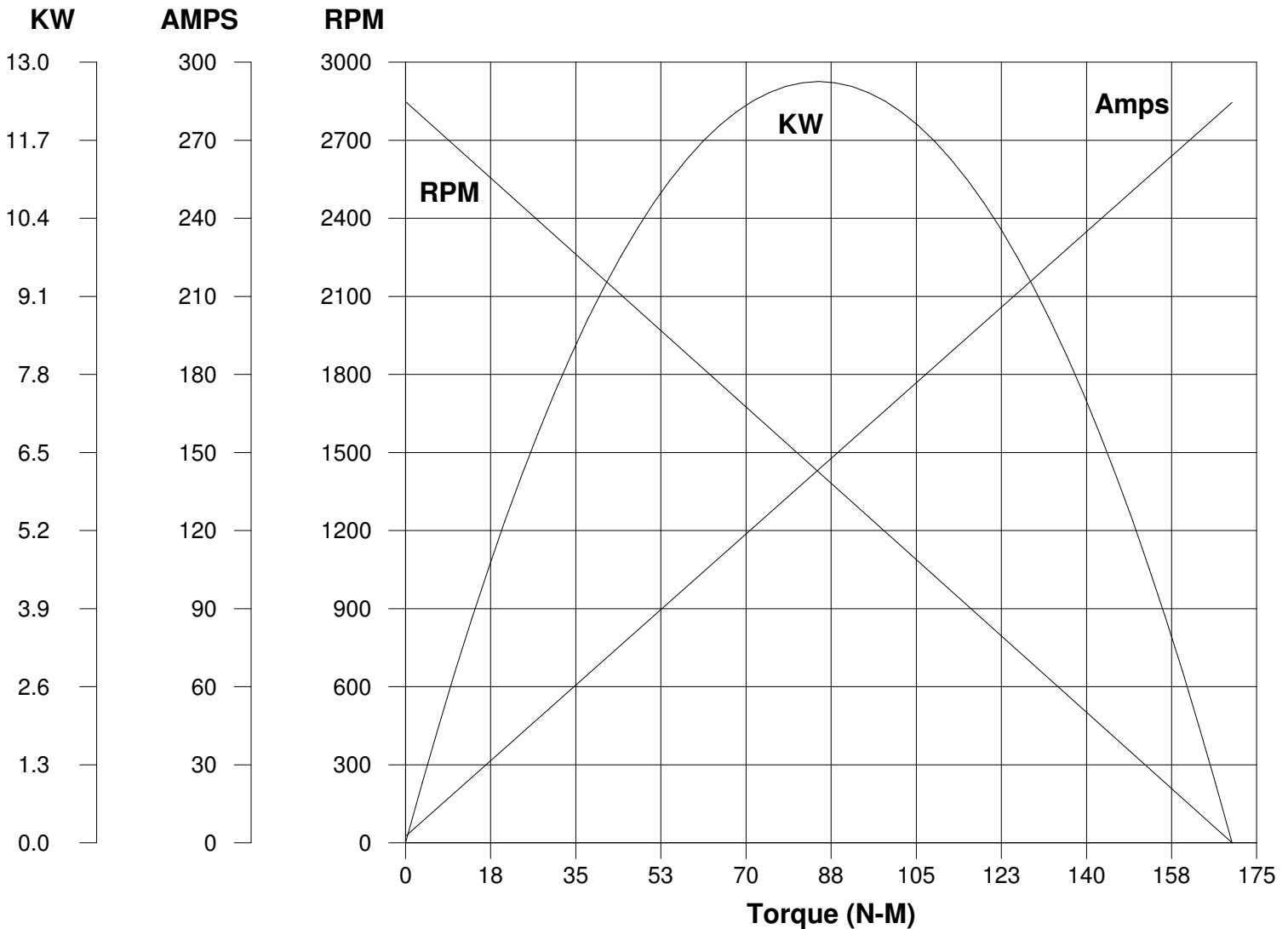
CONNECTIONS SHOWN FOR CCW ROTATION FACING LEAD END OF THE MOTOR
TO REVERSE ROTATION INTERCHANGE LINE LEADS

NO.	REVISION	BY & DATE	CHK	TOLERANCES UNLESS SPECIFIED		LEESON	ELECTRIC MOTORS GEARMOTORS AND DRIVES	DRAWN TJF 11/15/97	
				DEC.	INCHES				CHK
				.X	±.1			APPD POW 11/15/97	
E	"MOTOR" WAS "ARMATURE", ECO-0163602	IPG 3/14/19		.XX	±.01	TITLE	EXTERNAL WIRING DIAGRAM PMDC MOTOR	SCALE 1=2	
D	UPDATED TO MAKE IT GENERIC, ECO-0163547	IPG 3/13/19		.XXX	±.005			REF	
01	REDRAWN ON CAD. REVISED NOTES.	SJB 9/20/2005		.XXXX	±.0005	MAT'L.		FMF	
				ANG	±1/2°	FINISH		PREV	
THIS DRAWING IN DESIGN AND DETAIL IS OUR PROPERTY AND MUST NOT BE USED EXCEPT IN CONNECTION WITH OUR WORK ALL RIGHTS OF DESIGN AND INVENTION ARE RESERVED THIS IS AN ELECTRONICALLY GENERATED DOCUMENT - DO NOT SCALE THIS PRINT				RFP	CAD FILE 00531901		SIZE A	DRAWING NO. 005319.01	REV. E
				DIST					

LEESON ELECTRIC CORPORATION

TYPICAL PERFORMANCE CURVE FOR DIRECT CURRENT PERMANENT MAGNET MOTOR

Model No. <u>CI6D34FT1</u>	Catalog No. <u>118009.00</u>	
KW <u>1.500</u>	RPM <u>3000</u>	DC Volts <u>180.0</u>
F.F. <u>1.40</u>	Encl <u>IP54</u>	Type <u>F90L-17</u>
Max. Amb. <u>40.0 Deg C</u>	Insul. <u>H</u>	Frame <u>90L</u>
		N.P. FLA <u>10.00</u>
		S.F. <u>1.00</u>
		Duty <u>S1</u>



Ra <u>0.2850</u> Ohms
La <u>5.500</u> mHenrys
Ja <u>58.84</u> KG-CM^2
Ke <u>62.83</u> V/KRPM

Kt <u>0.6001</u> N-M/AMP
Imax <u>99.4</u> AMPS Allowed
FL Torque <u>4.745</u> N-M
FL EFF <u>73.20</u> %

Winding W- D6324-1 **Prepared by** V. Boehlen **Date** 05-17-2005