

PRODUCT INFORMATION PACKET



Model No: LM34058
Catalog No: LM34058

General Purpose Motor, 2 & 1.50 HP, 3 Ph, 60 & 50 Hz, 230/460 & 190/380 V, 1800 & 1500 RPM,
56HC Frame, DP



Regal and Leeson are trademarks of Regal Rexnord Corporation or one of its affiliated companies.
©2023 Regal Rexnord Corporation, All Rights Reserved. MC017097E





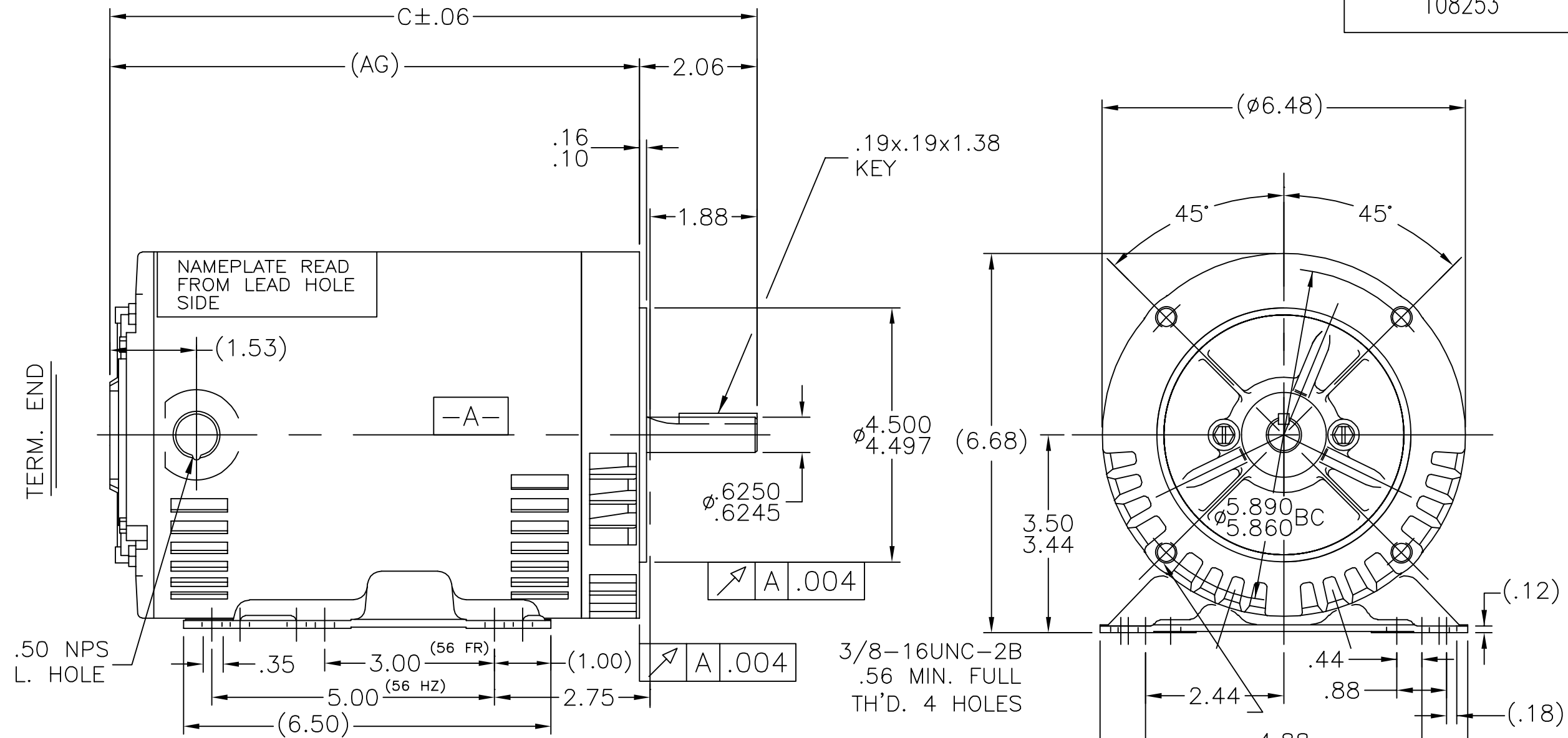
Nameplate Specifications

Phase	3	Output HP	2 & 1.50 Hp
Output KW	1.5 & 1.1 kW	Voltage	230/460 & 190/380 V
Speed	1725 & 1425 rpm	Service Factor	1.15 & 1.0
Frame	56HC	Enclosure	Drip Proof
Thermal Protection	No Protection	Efficiency	86.5 & 85.5 %
Ambient Temperature	40 °C	Frequency	60 & 50 Hz
Current	6/3 & 5.6/2.8 A	Power Factor	74.5
Duty	Continuous	Insulation Class	B
Design Code	A	KVA Code	N
Drive End Bearing Size	6205	Opp Drive End Bearing Size	6203
UL	Recognized	CSA	Y
CE	Y	IP Code	22
Number of Speeds	1		


Technical Specifications

Electrical Type	Squirrel Cage Inverter Rated	Starting Method	Line Or Inverter
Poles	4	Rotation	Reversible
Resistance Main	6.4 Ohms	Mounting	Rigid Base
Motor Orientation	Horizontal	Drive End Bearing	Ball
Opp Drive End Bearing	Ball	Frame Material	Rolled Steel
Shaft Type	NEMA 56	Overall Length	13.44 in
Frame Length	9.56 in	Shaft Diameter	0.625 in
Shaft Extension	1.88 in	Assembly/Box Mounting	F1 ONLY
Connection Drawing	EE7308-REGAL	Outline Drawing	108253-956

108253



DASH	C	AG	DASH	C	AG
606	9.94	7.87	806	11.94	9.87
656	10.44	8.37	856	12.44	10.37
706	10.94	8.87	906	12.94	10.87
756	11.44	9.37	956	13.44	11.37

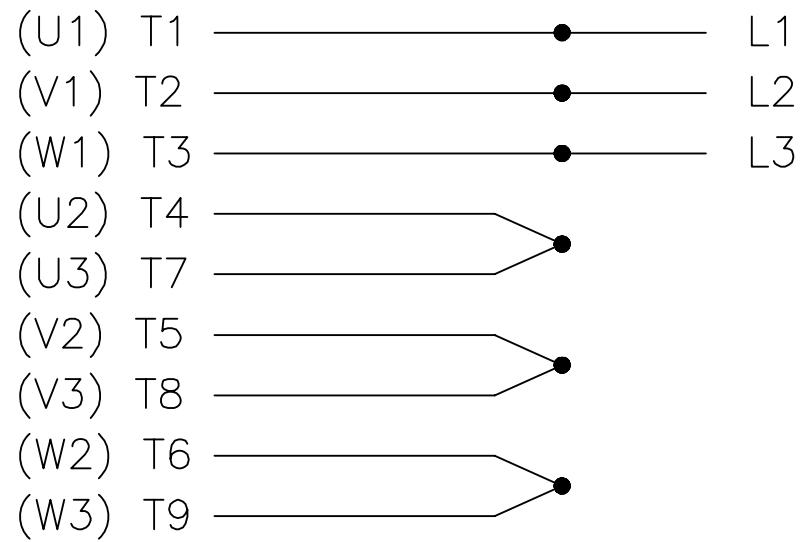
NO.		REVISION		BY & DATE		CHK	ANG	TOLERANCES UNLESS SPECIFIED	 Regal Beloit America, Inc. TITLE OUTLINE 56 FR. - BB - DR. PR. - 'C' FACE - 3φ MAT'L. FINISH	DRAWN	PVR	12/31/14				
								DEC. INCHES		CHK	SM	12/31/14				
								.X ±.1		APPD						
								.XX ±.03		SCALE	3=8					
								.XXX ±.005		REF	100230					
								.XXX ±.0005	FMF							
								.XXXX ±.0005	PREV							
								ANG ±7'30"	RFP	CAD FILE	108253	SIZE	DRAWING NO.	PAGE	OF	REV.
									DIST	WP		A	108253			

THIS DRAWING IN DESIGN AND DETAIL IS OUR PROPERTY AND MUST NOT BE USED EXCEPT IN CONNECTION WITH OUR WORK ALL RIGHTS OF DESIGN AND INVENTION ARE RESERVED THIS IS AN ELECTRONICALLY GENERATED DOCUMENT - DO NOT SCALE THIS PRINT

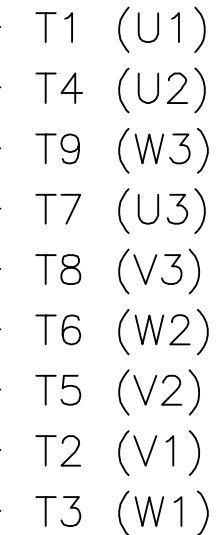
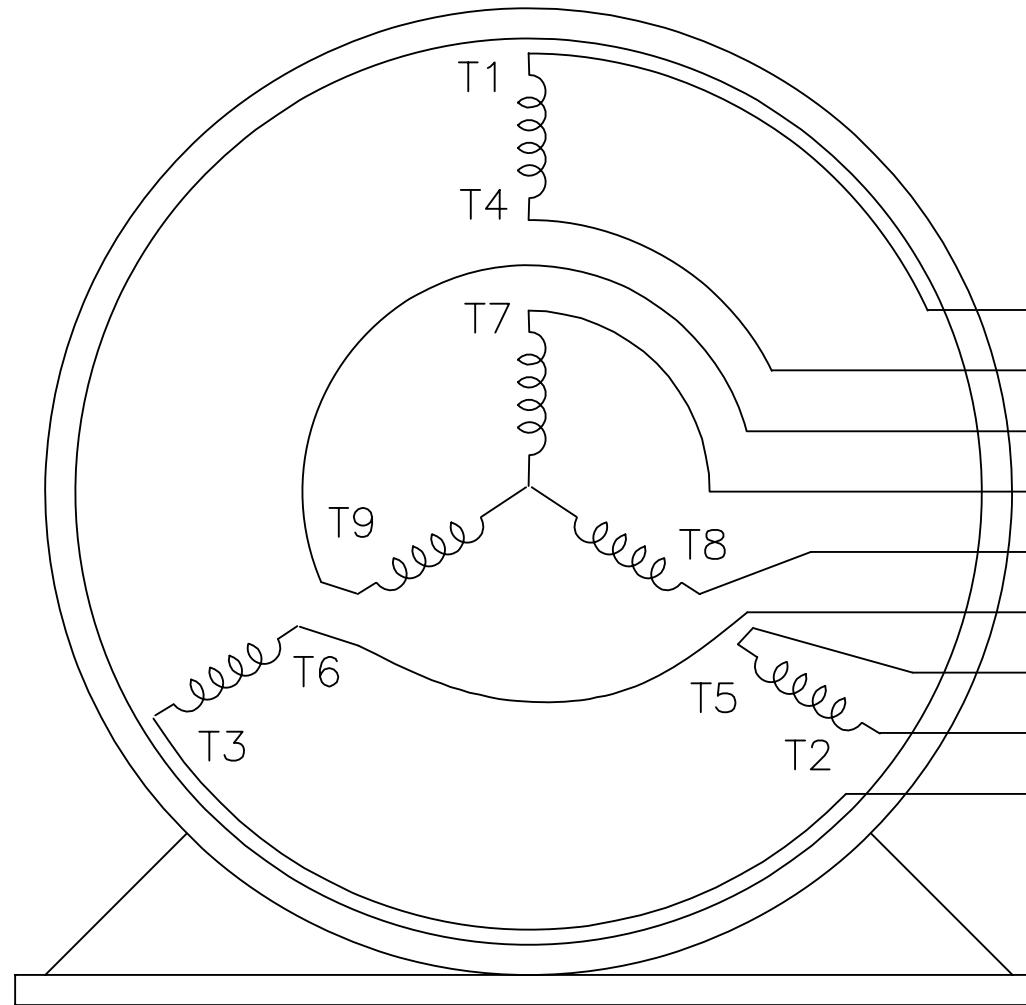
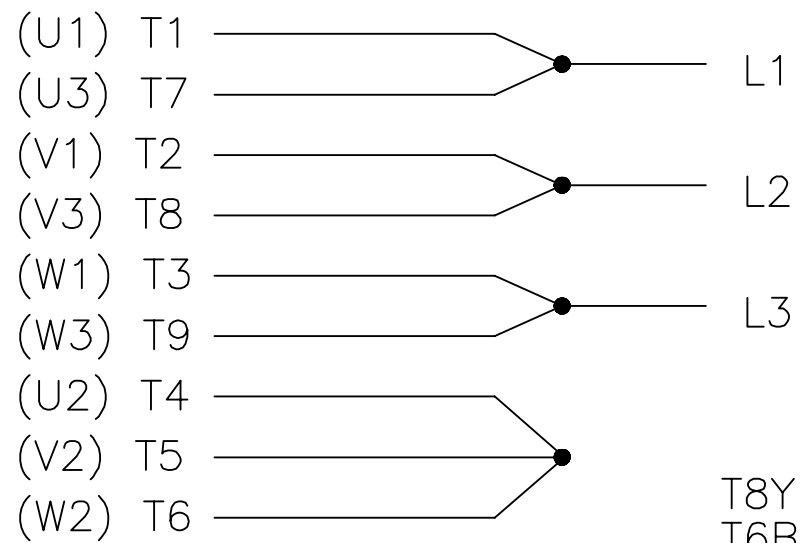
THREE PHASE
DUAL VOLTAGE MOTOR

EE7308-REGAL

HIGH VOLTAGE



LOW VOLTAGE




VIEW OF TERMINAL END

REF.
WINDING DIAGRAM

T8Y, T2Y, T2BL, T4BX, T2EC, T2G
T6BZ, T2B, T6BL, T4AV, T6B, T4B

OPTIONAL CORD
CONNECTION



				TOLERANCES UNLESS SPECIFIED		 Regal Beloit America, Inc.	DRAWN	JAH 12/02/14
				DEC.	INCHES		CHK	VS 12/02/14
				.X	±.1		APPD	
				.XX	±.02		SCALE	1=1
				.XXX	±.005		REF	
1	CREATED NEW DRAWING	JAH 12/02/14	VS	.XXXX	±.0005	TITLE CONNECTION DIAGRAM 3φ - DUAL VOLTAGE MOTOR	FMF	
NO.	REVISION	BY & DATE	CHK	ANG	±7'30"	MAT'L.	PREV	
THIS DRAWING IN DESIGN AND DETAIL IS OUR PROPERTY AND MUST NOT BE USED EXCEPT IN CONNECTION WITH OUR WORK ALL RIGHTS OF DESIGN AND INVENTION ARE RESERVED THIS IS AN ELECTRONICALLY GENERATED DOCUMENT - DO NOT SCALE THIS PRINT				RFP	CAD FILE	EE7308-REGAL	SIZE	DRAWING NO. PAGE OF REV.
				DIST	WP		A	EE7308-REGAL 1



**2100 WASHINGTON ST.
GRAFTON, WI
PH. 262-277-8810**

CERTIFICATION DATA SHEET

CONN. DIAGRAM: A-EE7308-REGAL

OUTLINE: A-108253-956

WINDING #: ZT4260 1

CATALOG #: LM34058

MOUNTING: F1 ONLY

TYPICAL MOTOR PERFORMANCE DATA

HP	kW	SYNC. RPM	F.L. RPM	FRAME	ENCLOSURE	KVA CODE	DESIGN
2&1 1/2	1.49&1.12	1800	1725&1425	56HC	DP	N	A

PH	Hz	VOLTS	AMPS	START TYPE	DUTY	INSL	S.F.	AMB°C
3	60/50	230/460&190/380	6/3&5.6/2.8	LINE OR INVERTER	CONTINUOUS	B3	1.15/1.0	40

FULL LOAD EFF:	86.5&85.5	3/4 LOAD EFF:	85.8	1/2 LOAD EFF:	82.8	GTD. EFF	ELEC. TYPE
FULL LOAD PF:	74.5&72	3/4 LOAD PF:	65.3	1/2 LOAD PF:	53.8	84	SQ CAGE INV RATED

F.L. TORQUE	LOCKED ROTOR AMPS	L.R. TORQUE	B.D. TORQUE	F.L. RISE°C
6 LB-FT	56.8 / 28.4	24.1 LB-FT 402 %	30.7 LB-FT 512 %	38

SOUND PRESSURE @ 3 FT.	SOUND POWER	ROTOR WK^2	MAX. WK^2	SAFE STALL TIME	STARTS / HOUR	APPROX. MOTOR WGT
56 dBA	66 dBA	0.09 LB-FT^2	12 LB-FT^2	15 SEC.	2	45.4 LBS.

***** SUPPLEMENTAL INFORMATION *****

DE BRACKET TYPE	ODE BRACKET TYPE	MOUNT TYPE	ORIENTATION	SEVERE DUTY	HAZARDOUS LOCATION	DRIP COVER	SCREENS	PAINT
C-FACE	STANDARD	RIGID	HORIZONTAL	FALSE	NONE	FALSE	NONE	GRAY (POWDER)

BEARINGS		GREASE	SHAFT TYPE	SPECIAL DE	SPECIAL ODE	SHAFT MATERIAL	FRAME MATERIAL
DE	ODE						
BALL	BALL	POLYREX EM	STANDARD 56	NONE	NONE	1144 STRESSPROOF (C-223)	ROLLED STEEL
6205	6203						

THERMO-PROTECTORS				THERMISTORS	CONTROL	SPACE HEATERS
THERMOSTATS	PROTECTORS	WDG RTDs	BRG RTDs			
NONE	NOT	NONE	NONE	NONE	FALSE	NONE VOLTS

*
N
O
T
E
S
*

INVERTER TORQUE: CONSTANT 2:1
INV. HP SPEED RANGE: NONE
ENCODER: NONE NONE NONE NONE NONE PPR
BRAKE: NONE NONE NONE P/N NONE NONE NONE NONE FT-LB NONE V NONE Hz

Data Sheet

Date: 1/24/2018

LM34058



Data @ **460 V**

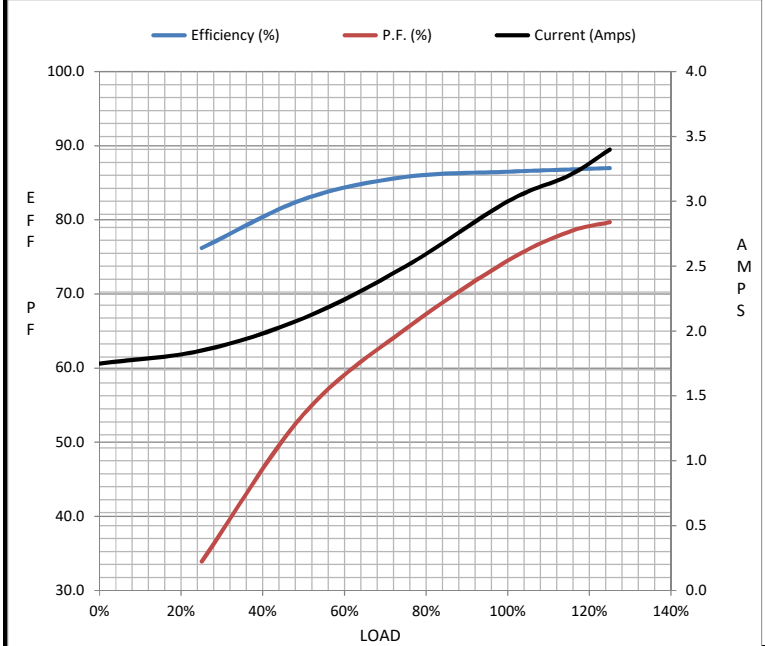
Motor Load Data

Load	0%	25%	50%	75%	100%	115%	125%	LR
Current (Amps)	1.75	1.85	2.10	2.50	3.0	3.2	3.4	28.4
Torque (ft-lb)	0.00	1.50	2.95	4.5	6.0	7.0	7.6	24.1
RPM	1800	1789	1778	1765	1750	1.745	1740	0
Efficiency (%)		76.2	82.8	85.8	86.5	86.8	87.0	
P.F. (%)	7.9	33.9	53.8	65.3	74.5	78.4	79.7	71.5

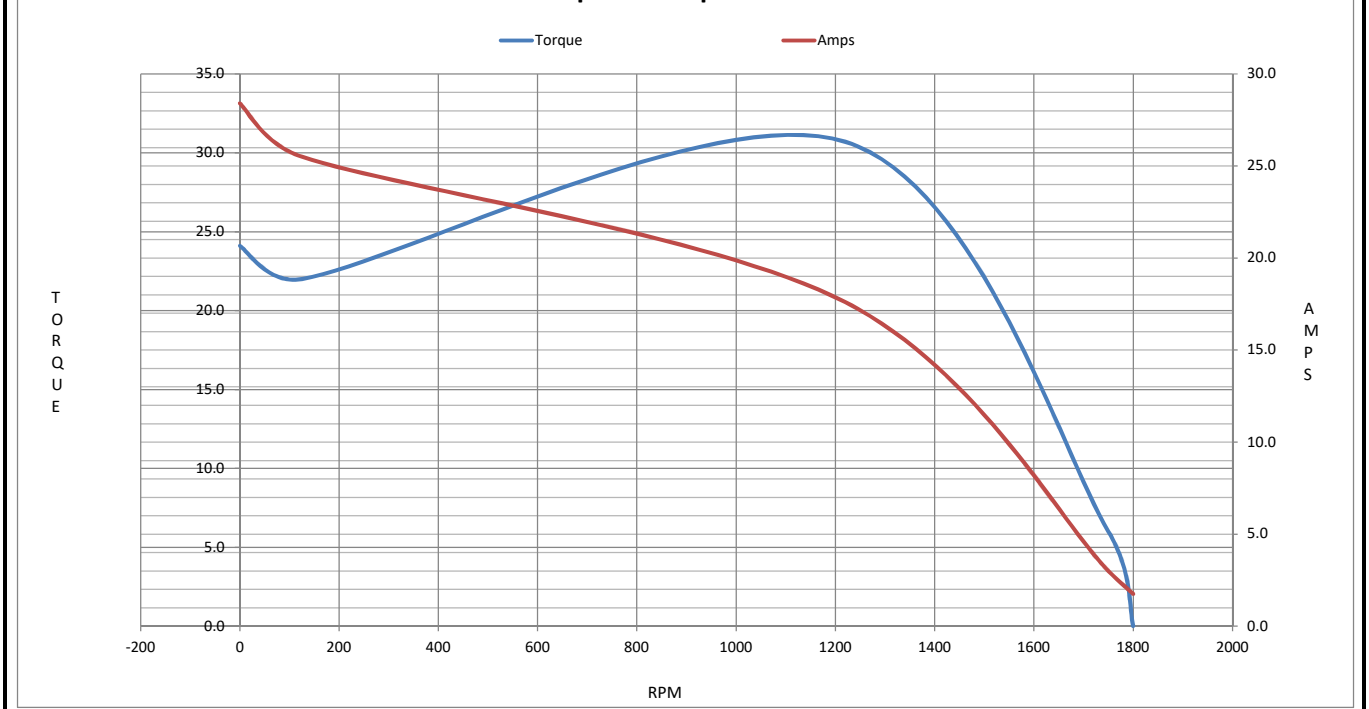
Motor Speed Data

	LR	Pull-Up	BD	Rated	Idle
Speed (RPM)	0	125	1220	1750	1800
Current (Amps)	28.4	25.5	17.6	3.0	1.75
Torque (ft-lb)	24.1	22.0	30.7	6.0	0.00

Information Block				
HP	2.0			
Sync. RPM	1800			
Frame	56			
Enclosure	DP			
Construction	TDR			
Voltage	230/460#190/380 V			
Frequency	60 Hz			
Design	A			
LR Code letter	N			
Service Factor	1.15			
Temp Rise @ FL	38 °C			
Duty	CONT			
Ambient	40 °C			
Elevation	1,000 feet			
Rotor/Shaft wk ²	0.09 Lb-Ft ²			
Ref Wdg	ZT4260 NONE			
Sound Pressure @ 1M	56 dBA			
VFD Rating	CONSTANT 2:1			
Outline Dwg	A-108253-956			
Conn. Diag	A-EE7308-REGAL			
Additional Specifications:				
0				
0				
EQUIV CKT (OHMS / PHASE)				
R1	R2	X1	X2	Xm
4.1180	3.2660	6.2480	5.6800	163.3000



Speed - Torque Curve



EC Declaration of Conformity

The undersigned representing
the manufacturer:

Regal Beloit America
100 East Randolph St.
Wausau, WI 54401

and the authorized representative
established within the Community:

Marathon Electric UK
6F Thistleton Road Ind. Estate
Market Overton
Oakham, Rutland LE15 7PP UK

are committed to providing customers with products that comply with applicable regulations and international protocols to which they are subject, including the requirements of the European Parliament Directive on the Harmonization of the laws relating to electrical equipment designed for use within certain voltage limits (2014/35/EU).

Regal Beloit America declares that the following product(s), to which this declaration relates, are in conformity with the relevant sections of the EC standards listed below.

This statement supersedes any statements previously issued pertaining to the product(s) listed below and is subject to change without notice.

Model No : LM34058

(Model No. may contain prefix and/or suffix characters)

Catalog No : LM34058

Rework No : N/A

Directives :

Low Voltage Directive 2014/35/EU

Harmonized Standards Used :

EN 60034-1: 2010 (IEC 60034-1: 2010)

EN 60034-5: 2001/A1:2007 (IEC 60034-5: 2000/A1:2006)

Authorized Representative:



Michael A. Logsdon
Vice President, Technology

Authorized Representative in the Community:



Julian Clark
Marketing Engineer

Created on 09/06/2022

CE 22