

PRODUCT INFORMATION PACKET



Model No: E110384.00
Catalog No: E110384.00
1 HP General Purpose Motor, 1 phase, 3600 RPM, 115/230 V, 56C Frame, ODP
General Purpose Motors



Regal and Leeson are trademarks of Regal Rexnord Corporation or one of its affiliated companies.
©2021 Regal Rexnord Corporation, All Rights Reserved. MC017097E





Nameplate Specifications

Output HP	1 Hp	Output KW	0.75 kW
Frequency	60 Hz	Voltage	115/230 V
Current	7.8/3.9 A	Speed	3450 rpm
Service Factor	1.25	Phase	1
Efficiency	80.4 %	Power Factor	99
Duty	Continuous	Insulation Class	F
Design Code	L	KVA Code	J
Frame	56C	Enclosure	Drip Proof
Thermal Protection	No	Ambient Temperature	40 °C
Drive End Bearing Size	6203	Opp Drive End Bearing Size	6203
UL	Recognized	CSA	Y
CE	Y	IP Code	12
Number of Speeds	1		

Technical Specifications

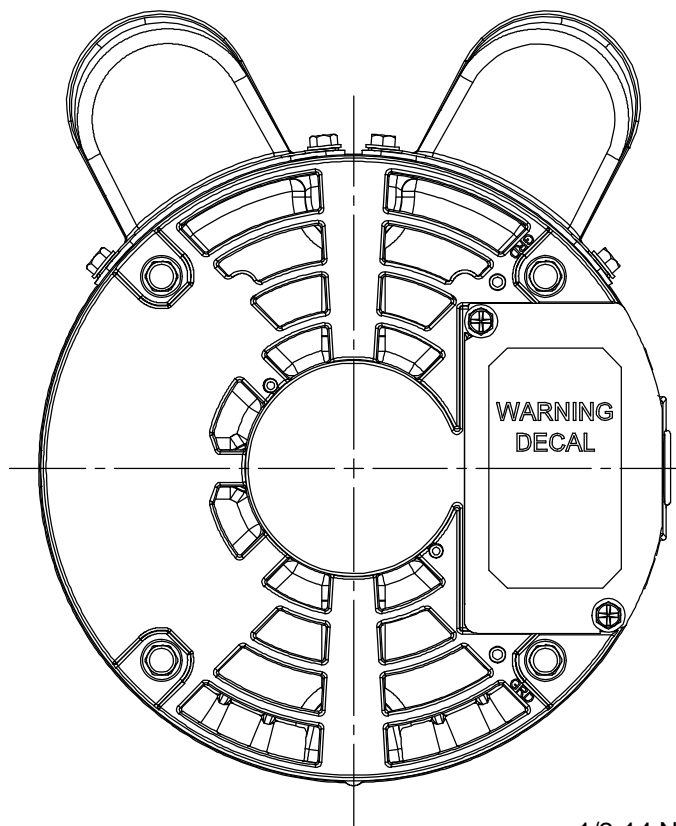
Electrical Type	Capacitor Start Capacitor Run	Starting Method	Across The Line
Poles	2	Rotation	Selective Counterclockwise
Resistance Main	.526 Ohms	Mounting	Round
Motor Orientation	Horizontal	Drive End Bearing	Ball
Opp Drive End Bearing	Ball	Frame Material	Rolled Steel
Shaft Type	NEMA 56	Overall Length	11.37 in
Frame Length	6.50 in	Shaft Diameter	0.625 in
Shaft Extension	1.88 in	Assembly/Box Mounting	F1 ONLY
Connection Drawing	005054.01	Outline Drawing	607-0370-650B

B

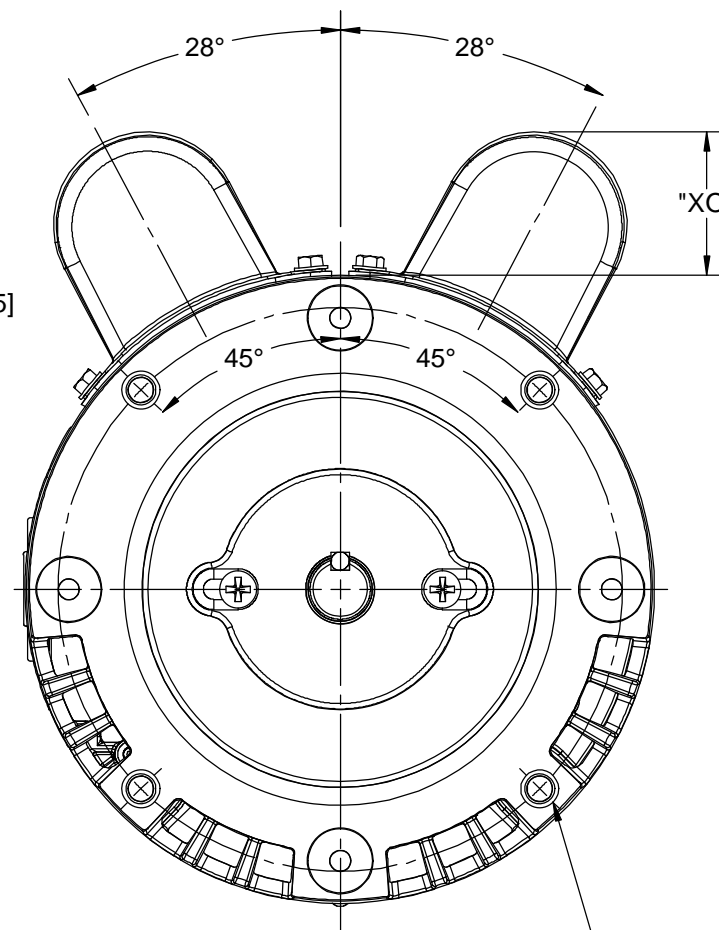
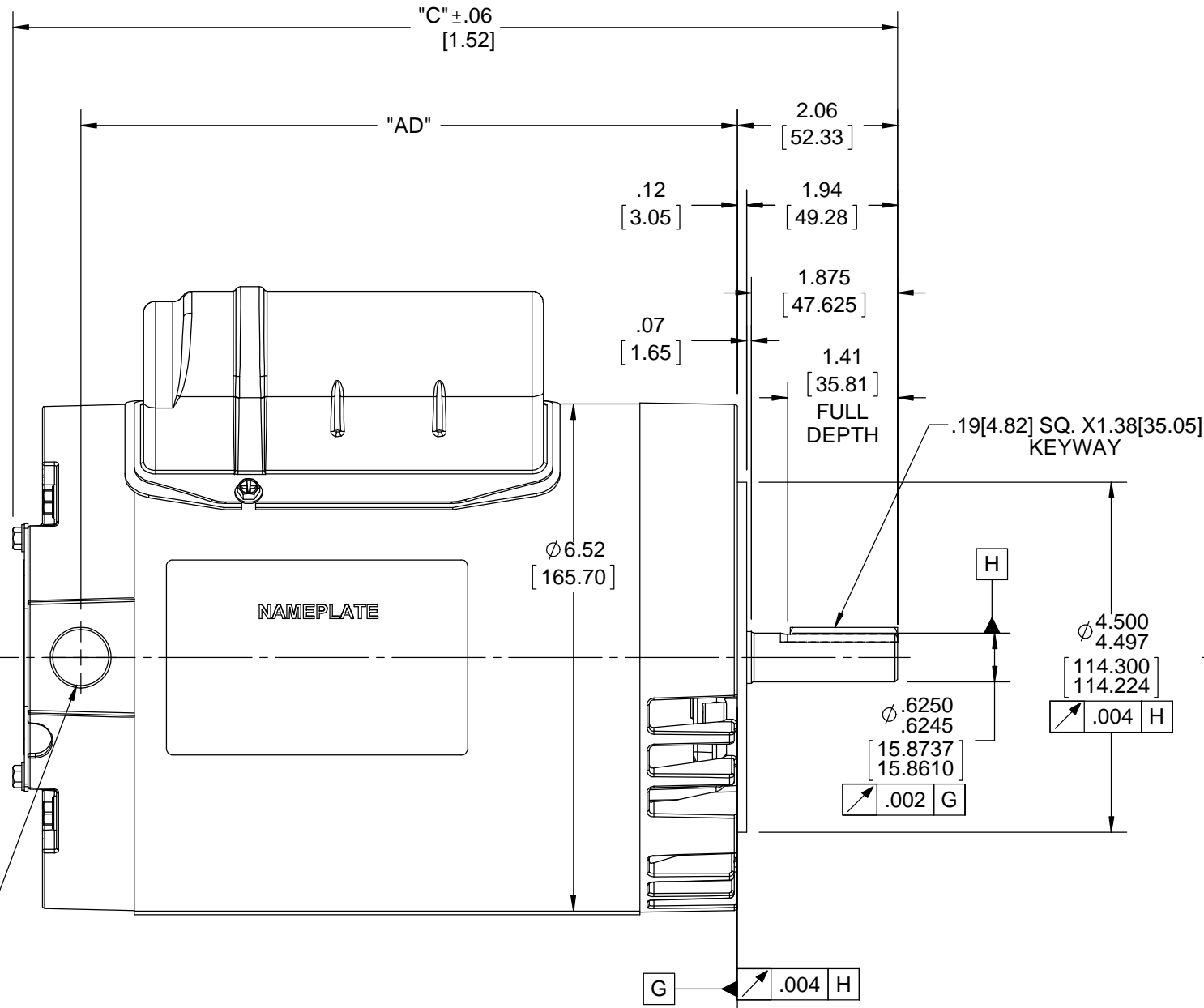
B

A

A



1/2-14 NPT
(PLUGGED)



(4) 3/8-16 UNC-2B X .56 [14.22] DEEP
ON A Ø5.875

			CAP. DASH	"XO"
			A	1.15 [29.21]
DASH NO.	"C"	"AD"	B	1.49 [37.84]
650	11.37 [288.79]	8.44 [214.37]	C	1.82 [46.22]

DRAWING REVISION A	REVISION BY	DATE
ECO ECO-0148826	APPROVED BY	DATE
ECO DESCRIPTION OUTLINE CONVERSION PROJECT COPYRIGHT REGAL BELOIT AMERICA, INC. ALL RIGHTS RESERVED. PROPRIETARY AND CONFIDENTIAL INFORMATION - THIS DOCUMENT IS THE PROPERTY OF REGAL BELOIT AMERICA, INC. ("OWNER") AND CONTAINS OWNER'S PROPRIETARY INFORMATION. ANY PERSON, CORPORATION OR OTHER FIRM RECEIVING IT IS DEEMED, BY RECEIVING IT, TO AGREE THAT IT, AND/OR ANY PART OF IT, SHALL NOT BE DISCLOSED TO ANY PERSON, CORPORATION OR OTHER ENTITY, DUPLICATED, AND/OR USED, EXCEPT AS EXPRESSLY APPROVED IN WRITING IN ADVANCE BY OWNER. THIS DOCUMENT SHALL BE RETURNED TO OWNER UPON REQUEST. IT MAY BE SUBJECT TO CERTAIN RESTRICTIONS UNDER APPLICABLE EXPORT CONTROL LAWS AND REGULATIONS.		

TOLERANCES UNLESS OTHERWISE SPECIFIED:

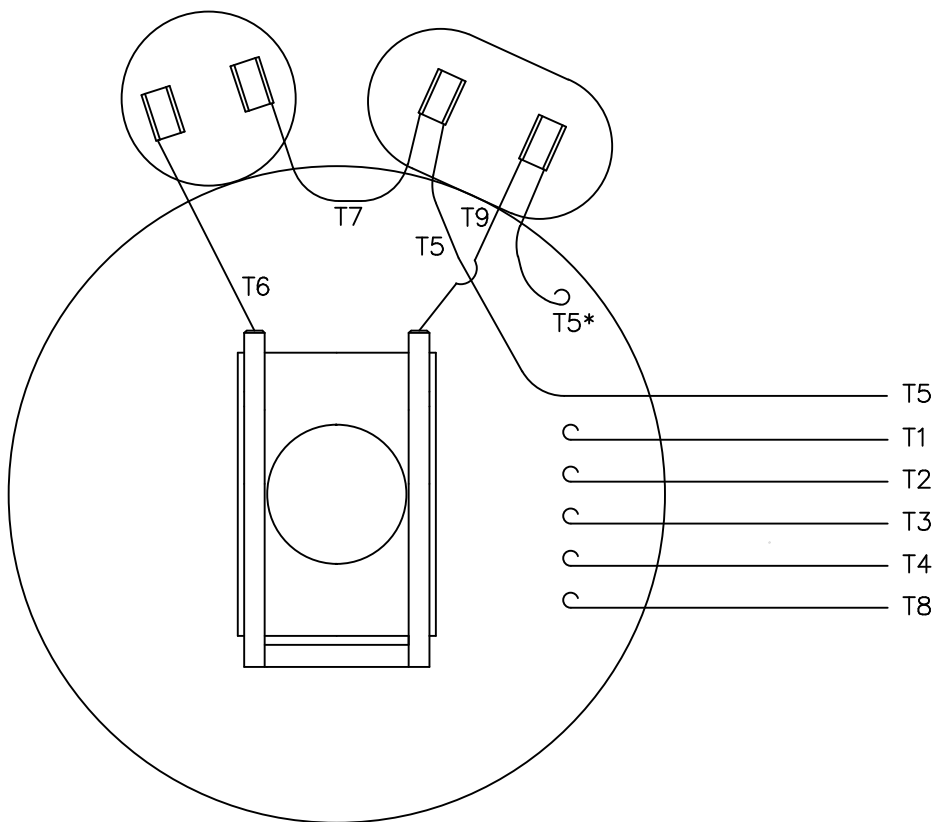
DEC.	INCH	mm	ANGLE
.X	±0.1	[±2.5]	±0.5°
.XX	±0.03	[±0.76]	
.XXX	±0.005	[±0.127]	
.XXXX	±0.0005	[±0.0127]	

REMOVE BURRS & BREAK SHARP EDGES: .003/.015 [.076/.381] X 45°
CORNER FILLETS: R.02 [.51]
MACHINED SURFACES: 125 INCH 3.2/mm

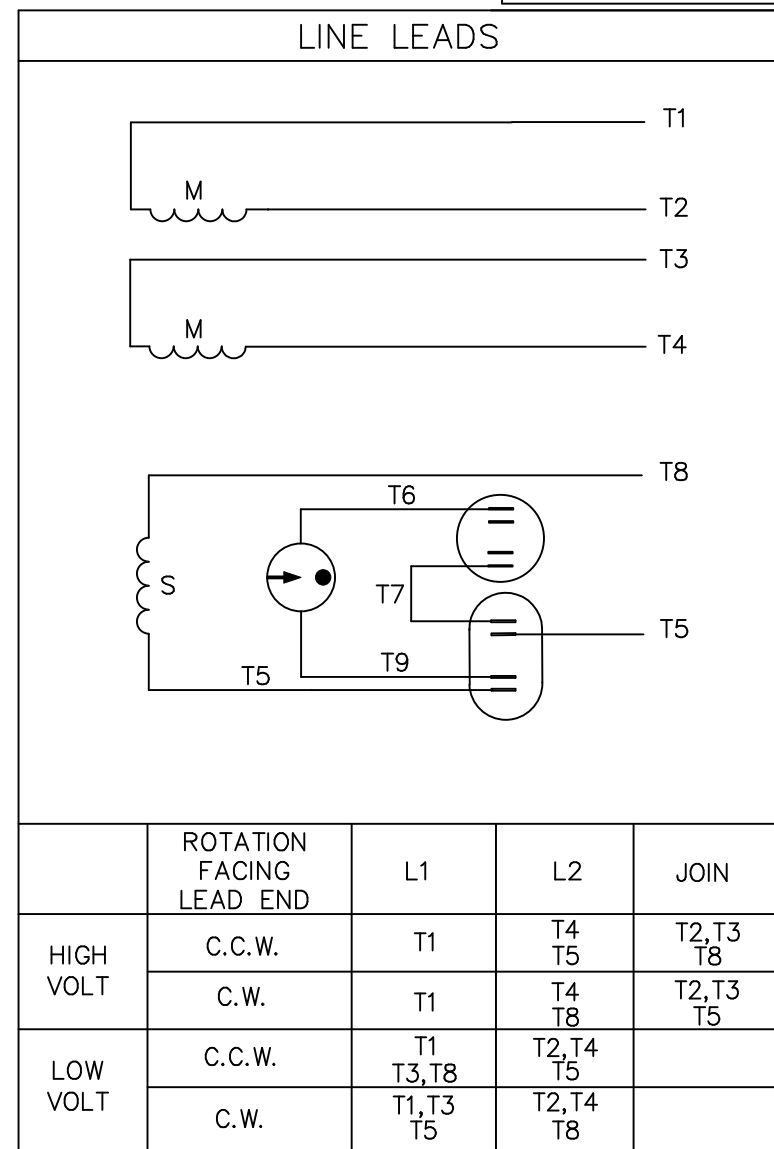
DRAWN BY A. KEETHA
DATE 04/24/2018
APPROVED BY PK
DATE 07/16/2018
REFERENCE 607-0201
THIRD ANGLE PROJECTION

REGAL ™ Regal Beloit America, Inc.	
DESCRIPTION OUTLINE DRIP PROOF-ROUND 56C FRAME	PROCESS/FINISH
MATERIAL	SIZE B
DRAWING NUMBER 607-0370	SHEET 1 OF 1

VIEW FROM OUTSIDE OF MOTOR AT SWITCH END.



* THIS LEAD MAY BE WHITE



NO.	REVISION	BY & DATE	CHK	TOLERANCES UNLESS SPECIFIED	
				DEC.	INCHES
				.X	±.1
11	ALTERNATE T5 LEAD MARKING WAS RED	RLW 8/6/02	.XX	±.01	
10	ADDED ALTERNATE T5 LEAD MARKING	RLW 6/5/02	KH	.XXX	±.005
09	REDRAWN TO CAD	DBT 05/28/97		.XXXX	±.0005
				ANG	±1/2°



ELECTRIC MOTORS
GEARMOTORS
AND DRIVES

DRAWN	JRW 09/27/74
CHK	TEM
APPD	10/11/74
SCALE	1=1
REF	A-005053
FMF	W-K6343
PREV	

TITLE
EXT. WIRING DIAGRAM
TYPE "K" W/O PROTECTOR

MAT'L. DECAL-004012

FINISH

THIS DRAWING IN DESIGN AND DETAIL IS OUR PROPERTY AND MUST NOT BE USED EXCEPT IN CONNECTION WITH OUR WORK ALL RIGHTS OF DESIGN AND INVENTION ARE RESERVED THIS IS AN ELECTRONICALLY GENERATED DOCUMENT - DO NOT SCALE THIS PRINT

RFP
CAD FILE 00505401
DIST BRF-NLV

SIZE A
DRAWING NO. 005054-01
REV. 11



CERTIFICATION DATA SHEET

**1051 CHEYENNE AVE.
GRAFTON, WI 53024
PH. 262-377-8810**

CONN. DIAGRAM: 005054.01

CATALOG #: E110384.00

OUTLINE: 607-0370-650B

MOUNTING: F1 ONLY

WINDING #: K632184 DR 3 A

TYPICAL MOTOR PERFORMANCE DATA

HP	kW	SYNC. RPM	F.L. RPM	FRAME	ENCLOSURE	KVA CODE	DESIGN
1	0.75	3600	3450	56C	DP	J	L

PH	Hz	VOLTS	AMPS	START TYPE	DUTY	INSL	S.F.	AMB°C
1	60	115/230	7.8/3.9	ACROSS THE LINE	CONTINUOUS	F4	1.25	40

FULL LOAD EFF:	80.4	3/4 LOAD EFF:	83	1/2 LOAD EFF:	77.2	GTD. EFF		ELEC. TYPE	
FULL LOAD PF:	99	3/4 LOAD PF:	99	1/2 LOAD PF:	95.4	77		CAP START CAP RUN	

F.L. TORQUE	LOCKED ROTOR AMPS	L.R. TORQUE	B.D. TORQUE	F.L. RISE°C
24.22 OZ-FT	74.2 / 37.1	79.96 OZ-FT 330 %	54.57 OZ-FT 225 %	21.6

SOUND PRESSURE @ 3 FT.	SOUND POWER	ROTOR WK^2	MAX. WK^2	SAFE STALL TIME	STARTS / HOUR	APPROX. MOTOR WGT
0 dBA	10 dBA	0.053 LB-FT^2	0 LB-FT^2	0 SEC.	0	34 LBS.

***** SUPPLEMENTAL INFORMATION *****

DE BRACKET TYPE	ODE BRACKET TYPE	MOUNT TYPE	ORIENTATION	SEVERE DUTY	HAZARDOUS LOCATION	DRIP COVER	SCREENS	PAINT
C-FACE	STANDARD	ROUND	HORIZONTAL	FALSE	NONE	FALSE	NONE	GREEN - LEESON WATTSAVER

BEARINGS		GREASE	SHAFT TYPE	SPECIAL DE	SPECIAL ODE	SHAFT MATERIAL	FRAME MATERIAL
DE	ODE						
BALL	BALL	POLYREX EM	STANDARD 56	NONE	NONE	1144 STRESSPROOF (C-223)	ROLLED STEEL
6203	6203						

THERMO-PROTECTORS				THERMISTORS	CONTROL	SPACE HEATERS
THERMOSTATS	PROTECTORS	WDG RTDs	BRG RTDs			
NONE	NOT	NONE	NONE	NONE	FALSE	NONE VOLTS

*
N
O
T
E
S

INVERTER TORQUE: NONE
INV. HP SPEED RANGE: NONE
ENCODER: NONE
NONE NONE
NONE NONE PPR
BRAKE: NONE NONE
NONE P/N NONE
NONE NONE
NONE FT-LB NONE V NONE Hz



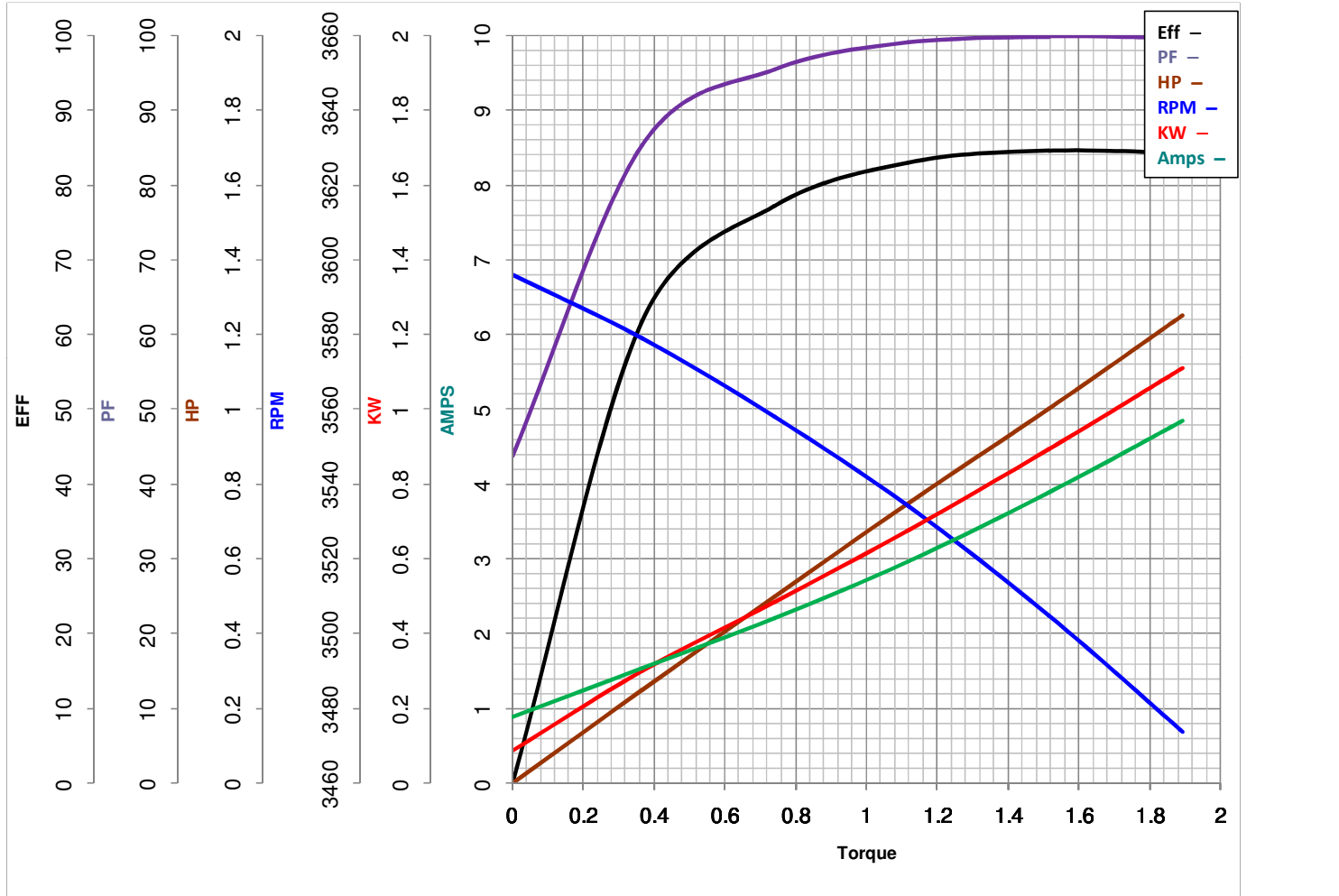
LEESON ELECTRIC CORPORATION
 TYPICAL PERFORMANCE CURVE for AC MOTOR

Model No E110384.00

Curve at 230 Volts HP 1.00 PHASE 1
60 HZ
1 HP VOLTS 115/230

Catalog No E110384.00

HZ 60 RPM 3450



Torque in Lb.Ft

FL TORQUE 1.514 Lb.Ft
 BD TORQUE 3.4 Lb.Ft
 LR TORQUE 4.998 Lb.Ft

FL AMPS 7.8/3.9
 PU TORQUE 3.0 Lb.Ft
 LR AMPS 37.1

WINDING K632184-3

Date 4/18/2018