

PRODUCT INFORMATION PACKET

Model No: M1110026.00

Catalog No: M1110026.00

...06KW-1/12HP..1800RPM.56D.IP54.24V...S1.40C.1.0SF.B14.980.544B.....



Regal and are trademarks of Regal Rexnord Corporation or one of its affiliated companies.
©2022 Regal Rexnord Corporation, All Rights Reserved. MC017097E

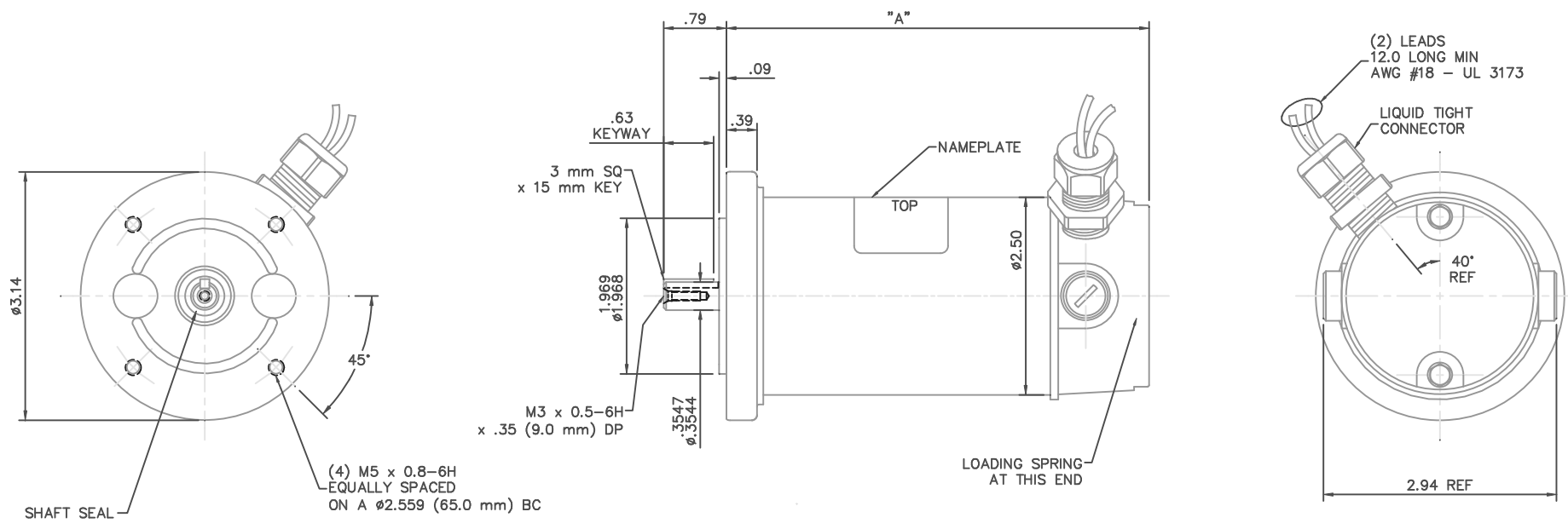
Nameplate Specifications

Output KW	0.06 kW	Voltage	24 V
Current	3.3 A	Speed	1800 rpm
Service Factor	1	Efficiency	77.5 %
Duty	S1	Insulation Class	F
Frame	56D	Enclosure	IP54
Thermal Protection	No Protection	Ambient Temperature	40 °C
Drive End Bearing Size	6000	Opp Drive End Bearing Size	608-S
UL	Recognized	CSA	Y
CE	N		


Technical Specifications

Rotation	Reversible	Mounting	B14
Overall Length	7.13 in	Frame Length	4.63 in
Shaft Diameter	0.375 in	Shaft Extension	0.79 in
Torque	45 OZ-IN		
Outline Drawing	M1030910-M1110026	Connection Drawing	M100527001

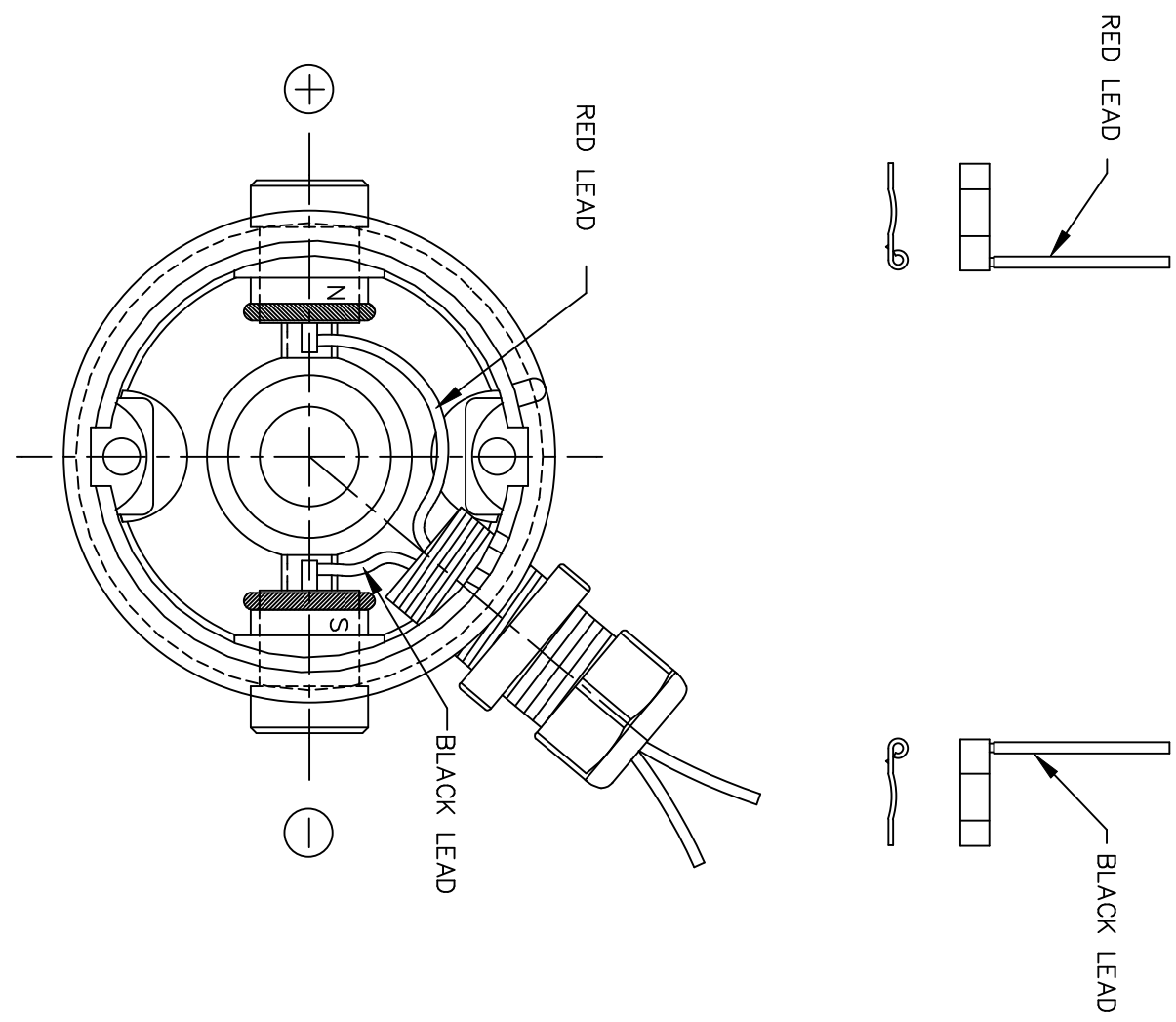
This is an uncontrolled document once printed or downloaded and is subject to change without notice. Date Created:08/03/2022




CAT. NO.	"A"	VOLTS	H.P.	RPM
M1110025.00	5.34	24	.08	3000
M1110026.00	6.34	24	.08	1800

NO.	REVISION	BY & DATE	CHK	ANG	FINISH	CAD FILE	M1030910	SIZE	DRAWING NO.	REV.
03	REMOVED HOLES ON COMM END ENDBELL, ECR 82295	IPG 5/14/04	SAD	.X	$\pm .1$	 ELECTRIC MOTORS GEARMOTORS AND DRIVES	DRAWN IPG 12/1/03 CHK SAD 12/1/03 APPD SCALE 3=4 REF FMF M1110025.00 PREV			
02	ADDED MISSING (2) $\phi .201$ PER ECR 83680	BPW 04/01/04	SAD	.XX	$\pm .03$					
01	ADDED TABLE PER M1110026.00, ECN 03-558	IPG 12/1/03	SAD	.XXX	$\pm .005$					
00	RELEASED: REF. M1030909.00	IPG 12/1/03	SAD	.XXXX	$\pm .0005$					
			CHK	ANG	$\pm 1/2^\circ$					
THIS DRAWING IN DESIGN AND DETAIL IS OUR PROPERTY AND MUST NOT BE USED EXCEPT IN CONNECTION WITH OUR WORK ALL RIGHTS OF DESIGN AND INVENTION ARE RESERVED THIS IS AN ELECTRONICALLY GENERATED DOCUMENT - DO NOT SCALE THIS PRINT						RFP		B	M1030910.00	03

D.C. MOTORS



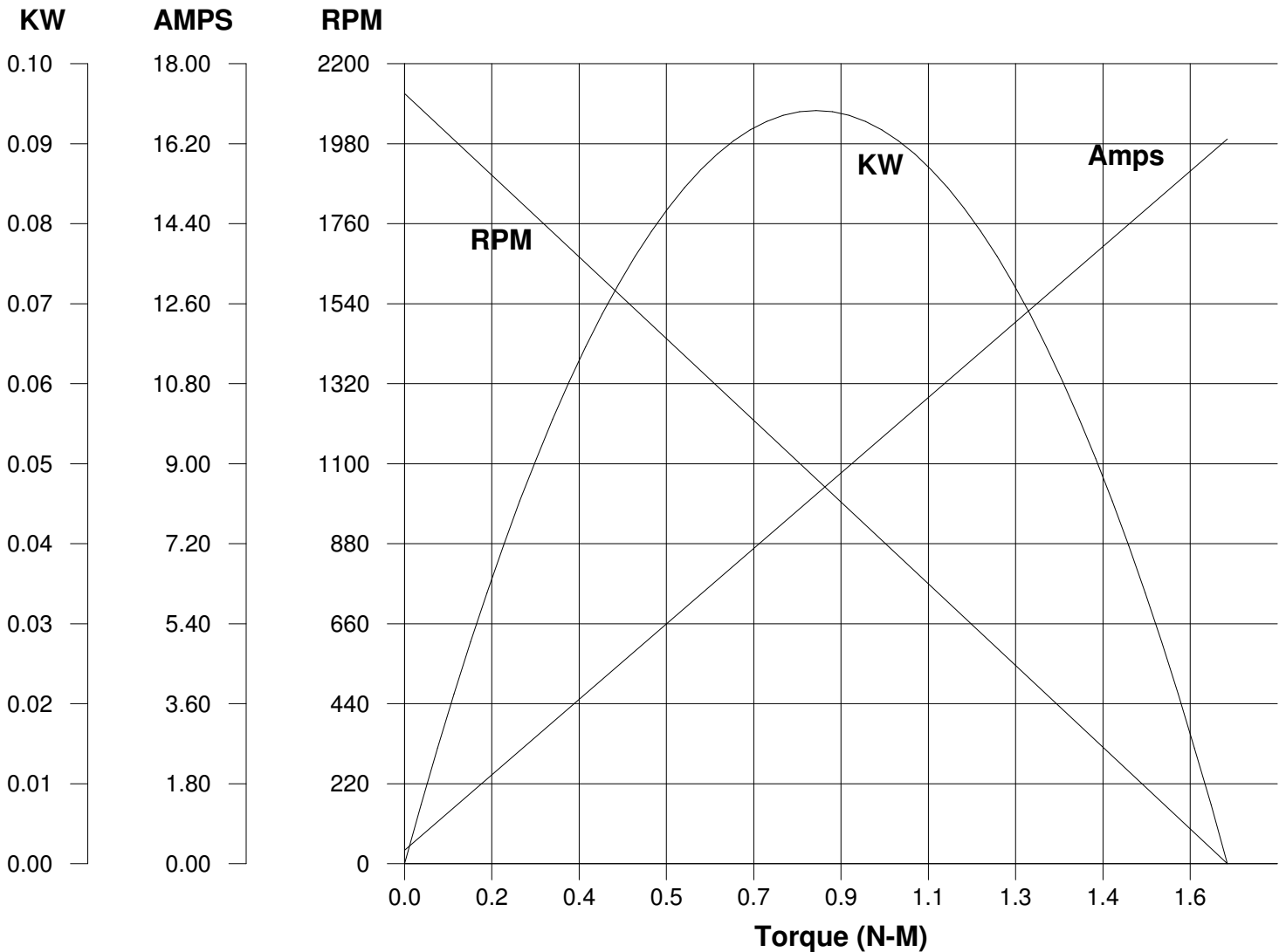
EXTERNAL CONNECTIONS FOR CCW ROTATION
 VIEWING LEAD END OF MOTOR WITH RED LEAD
 POSITIVE AND BLACK LEAD NEGATIVE (-)
 FOR CW ROTATION REVERSE POLARITY

				TOLERANCES UNLESS SPECIFIED		 ELECTRIC MOTORS GEARMOTORS AND DRIVES	DRAWN IPG 11/26/03			
				DEC.	INCHES		CHK SAD 11/26/03			
01	ADDED "TRU-TORQ" TO THE TITLE BLOCK AND ORACLE DESCRIPTION, ECR 83990	IPG 3/2/2004	SAD	.X	±.1	TITLE CONNECTION DIAGRAM TRU-TORQ	APPD			
00	RELEASED: REF. M1005268.01 - EXCEPT: NO GROUND LEAD & FILTER	IPG 11/26/03	SAD	.XXX	±.005		SCALE 1=1	REF		
				.XXXX	±.0005		MAT'L.	FMF M1110025.00		
NO.	REVISION	BY & DATE	CHK	ANG	±1/2"		FINISH	PREV		
THIS DRAWING IN DESIGN AND DETAIL IS OUR PROPERTY AND MUST NOT BE USED EXCEPT IN CONNECTION WITH OUR WORK ALL RIGHTS OF DESIGN AND INVENTION ARE RESERVED THIS IS AN ELECTRONICALLY GENERATED DOCUMENT - DO NOT SCALE THIS PRINT				RFP		CAD FILE	M100527001	SIZE	DRAWING NO.	REV.
				DIST				A	M1005270.01	01

LEESON ELECTRIC CORPORATION

TYPICAL PERFORMANCE CURVE FOR DIRECT CURRENT PERMANENT MAGNET MOTOR

Model No. <u>980.544</u>	Catalog No. <u>M1110026.00</u>	
KW <u>0.060</u>	RPM <u>1800</u>	DC Volts <u>24.0</u>
F.F. <u>1.00</u>	Encl <u>IP54</u>	Type <u>DN</u>
Max. Amb. <u>40.0 Deg C</u>	Insul. <u>F</u>	Frame <u>56D</u>
		N.P. FLA <u>3.30</u>
		S.F. <u>1.00</u>
		Duty <u>S1</u>



Ra 1.1100 Ohms
La 2.701 mHenrys
Ja 0.3055 KG-CM²
Ke 11.11 V/KRPM

Kt 0.1061 N-M/AMP
Imax 44.7 AMPS Allowed
FL Torque 0.3178 N-M
FL EFF 72.30 %

Winding W- MD25240-1 **Prepared by** V. Boehlen **Date** 12-19-2005