

PRODUCT INFORMATION PACKET



Model No: E100356.00

Catalog No: E100356.00

232A) once inventory depleted -..1/2HP..3600RPM.S56C.ODP.115/230V.1PH.60HZ.CONT.40C.1.25S.F..C FACE.....G

General Purpose Motors



Regal and Leeson are trademarks of Regal Rexnord Corporation or one of its affiliated companies.

©2021 Regal Rexnord Corporation, All Rights Reserved. MC017097E





Nameplate Specifications

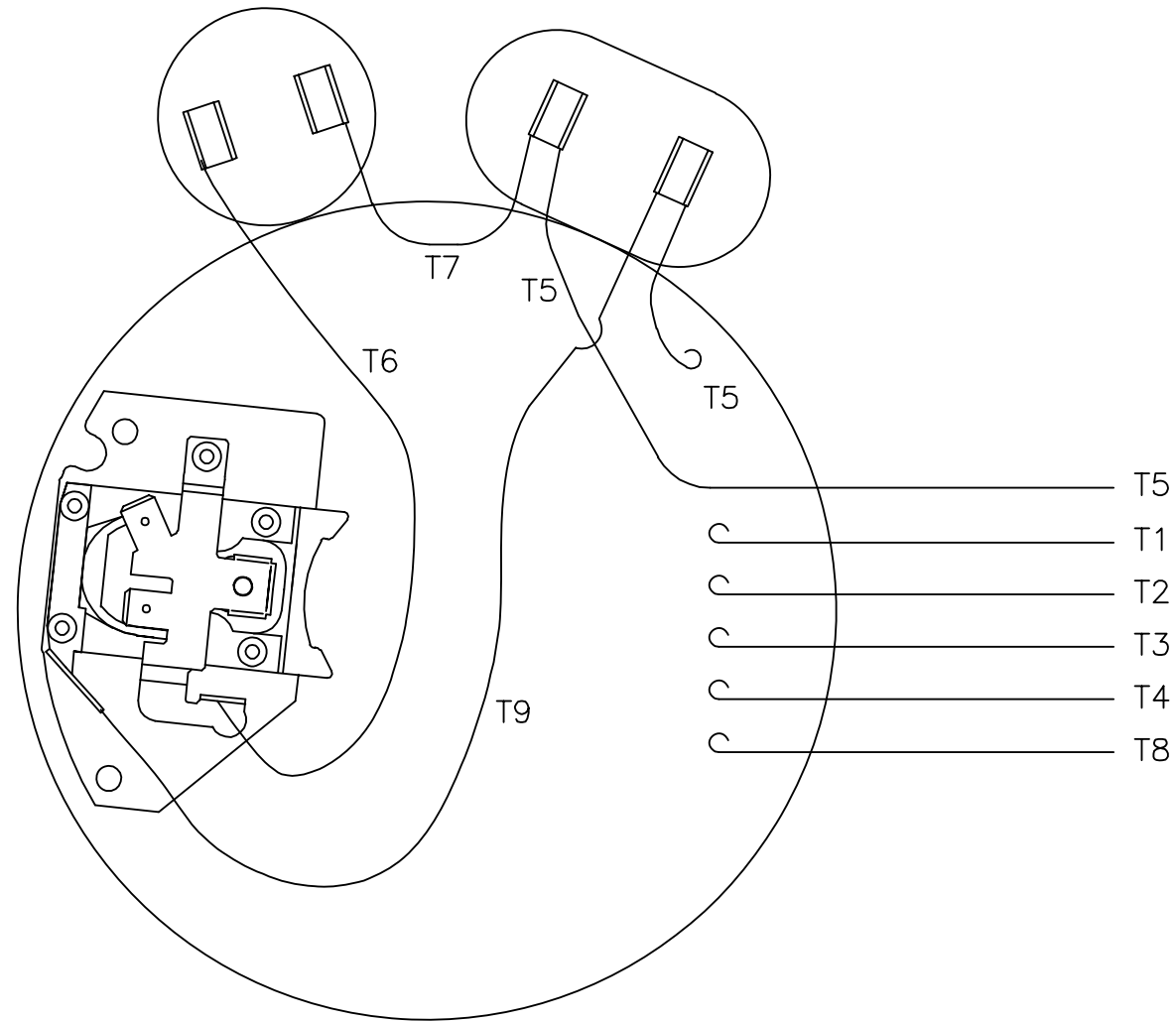
Output HP	0.50 Hp	Output KW	0.37 kW
Frequency	60 Hz	Voltage	115/230 V
Current	4.4/2.2 A	Speed	3450 rpm
Service Factor	1.25	Phase	1
Efficiency	72.4 %	Power Factor	98
Duty	Continuous	Insulation Class	B
Design Code	N	KVA Code	L
Frame	S56C	Enclosure	Drip Proof
Thermal Protection	No	Ambient Temperature	40 °C
Drive End Bearing Size	6203	Opp Drive End Bearing Size	6203
UL	Recognized	CSA	Y
CE	Y	IP Code	22
Number of Speeds	1		

Technical Specifications

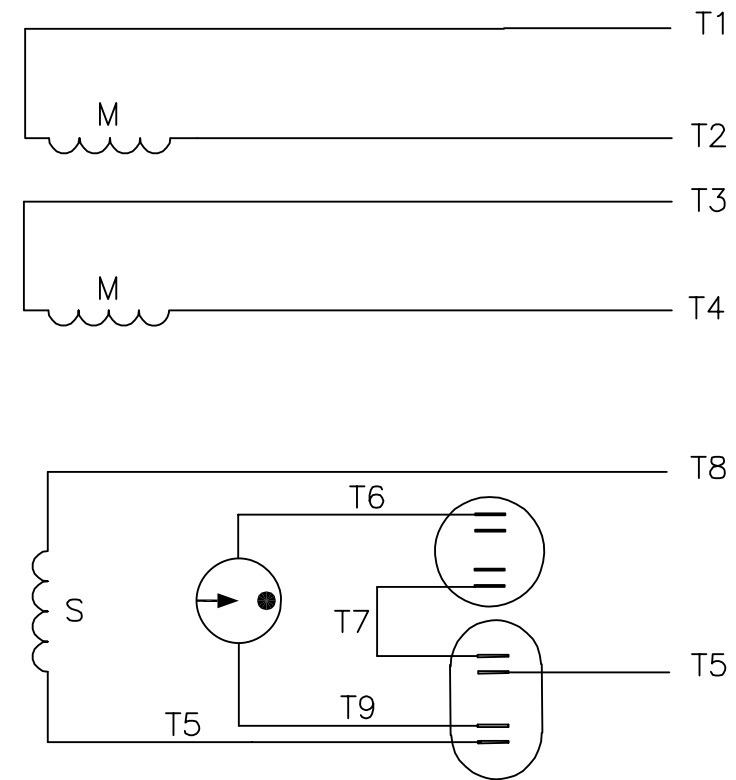
Electrical Type	Capacitor Start Capacitor Run	Starting Method	Across The Line
Poles	2	Rotation	Selective Counterclockwise
Resistance Main	0 Ohms	Mounting	Round
Motor Orientation	Horizontal	Drive End Bearing	Ball
Opp Drive End Bearing	Ball	Frame Material	Rolled Steel
Shaft Type	NEMA 56	Overall Length	10.74 in
Frame Length	6.75 in	Shaft Diameter	0.625 in
Shaft Extension	1.88 in	Assembly/Box Mounting	F1 ONLY
Connection Drawing	005054-15-REGAL	Outline Drawing	SS404121-675

005054-15-REGAL

VIEW FROM OUTSIDE OF MOTOR AT SWITCH END.



LINE LEADS



	ROTATION FACING LEAD END	L1	L2	JOIN
HIGH VOLT	C.C.W.	T1	T4 T5	T2,T3 T8
	C.W.	T1	T4 T8	T2,T3 T5
LOW VOLT	C.C.W.	T1 T3,T8	T2,T4 T5	
	C.W.	T1,T3 T5	T2,T4 T8	

TOLERANCES
UNLESS SPECIFIED

DEC.	INCHES
.X	±.1
.XX	±.01
.XXX	±.005
.XXXX	±.0005
ANG	±1/2°



Regal Beloit America, Inc.

DRAWN JAH 11/21/14

CHK

APPD

TITLE EXTERNAL WIRING DIAGRAM
TYPE "K" W/O PROTECTOR

SCALE 1=1

REF 005054-01

MAT'L. DECAL 004012

FMF 102368.00

NO.	REVISION	BY & DATE	CHK	ANG	FINISH

THIS DRAWING IN DESIGN AND DETAIL IS OUR PROPERTY AND MUST NOT BE USED EXCEPT IN CONNECTION WITH OUR WORK ALL RIGHTS OF DESIGN AND INVENTION ARE RESERVED THIS IS AN ELECTRONICALLY GENERATED DOCUMENT - DO NOT SCALE THIS PRINT

RFP
DIST

CAD FILE 005054-15-REGAL

SIZE

DRAWING NO.

A

005054-15-REGAL

REV.



CERTIFICATION DATA SHEET

**1051 CHEYENNE AVE.
GRAFTON, WI 53024
PH. 262-377-8810**

CONN. DIAGRAM: A-005054-15-REGAL

CATALOG #: E100356.00

OUTLINE: A-SS404121-675

MOUNTING: F1 ONLY

WINDING #: BE48277 3

TYPICAL MOTOR PERFORMANCE DATA

HP	kW	SYNC. RPM	F.L. RPM	FRAME	ENCLOSURE	KVA CODE	DESIGN
1/2	0.37	3600	3450	S56C	DP	L	N

PH	Hz	VOLTS	AMPS	START TYPE	DUTY	INSL	S.F.	AMB°C
1	60	115/230	4.4/2.2	ACROSS THE LINE	CONTINUOUS	B3	1.25	40

FULL LOAD EFF:	72.4	3/4 LOAD EFF:	70.9	1/2 LOAD EFF:	62.9	GTD. EFF		ELEC. TYPE	
FULL LOAD PF:	98	3/4 LOAD PF:	98.2	1/2 LOAD PF:	97.8	68		CAP START CAP RUN	

F.L. TORQUE	LOCKED ROTOR AMPS	L.R. TORQUE	B.D. TORQUE	F.L. RISE°C
12.2 OZ-FT	42.3 / 21.2	33.23 OZ-FT 272 %	34 OZ-FT 277 %	15

SOUND PRESSURE @ 3 FT.	SOUND POWER	ROTOR WK^2	MAX. WK^2	SAFE STALL TIME	STARTS / HOUR	APPROX. MOTOR WGT
0 dBA	10 dBA	0 LB-FT^2	0 LB-FT^2	10 SEC.	0	22 LBS.

***** SUPPLEMENTAL INFORMATION *****

DE BRACKET TYPE	ODE BRACKET TYPE	MOUNT TYPE	ORIENTATION	SEVERE DUTY	HAZARDOUS LOCATION	DRIP COVER	SCREENS	PAINT
C-FACE	STANDARD	ROUND	HORIZONTAL	FALSE	NONE	FALSE	NONE	GREEN (POWDER)

BEARINGS		GREASE	SHAFT TYPE	SPECIAL DE	SPECIAL ODE	SHAFT MATERIAL	FRAME MATERIAL
DE	ODE						
BALL	BALL	MULTEMP SRL	STANDARD 56	NONE	NONE	1144 STRESSPROOF (C-223)	ROLLED STEEL
6203	6203						

THERMO-PROTECTORS				THERMISTORS	CONTROL	SPACE HEATERS
THERMOSTATS	PROTECTORS	WDG RTDs	BRG RTDs			
NONE	NOT	NONE	NONE	NONE	FALSE	NONE VOLTS

*
N
O
T
E
S

INVERTER TORQUE: NONE
INV. HP SPEED RANGE: NONE
ENCODER: NONE
NONE NONE
NONE NONE PPR
BRAKE: NONE NONE
NONE P/N NONE
NONE NONE
NONE FT-LB NONE V NONE Hz



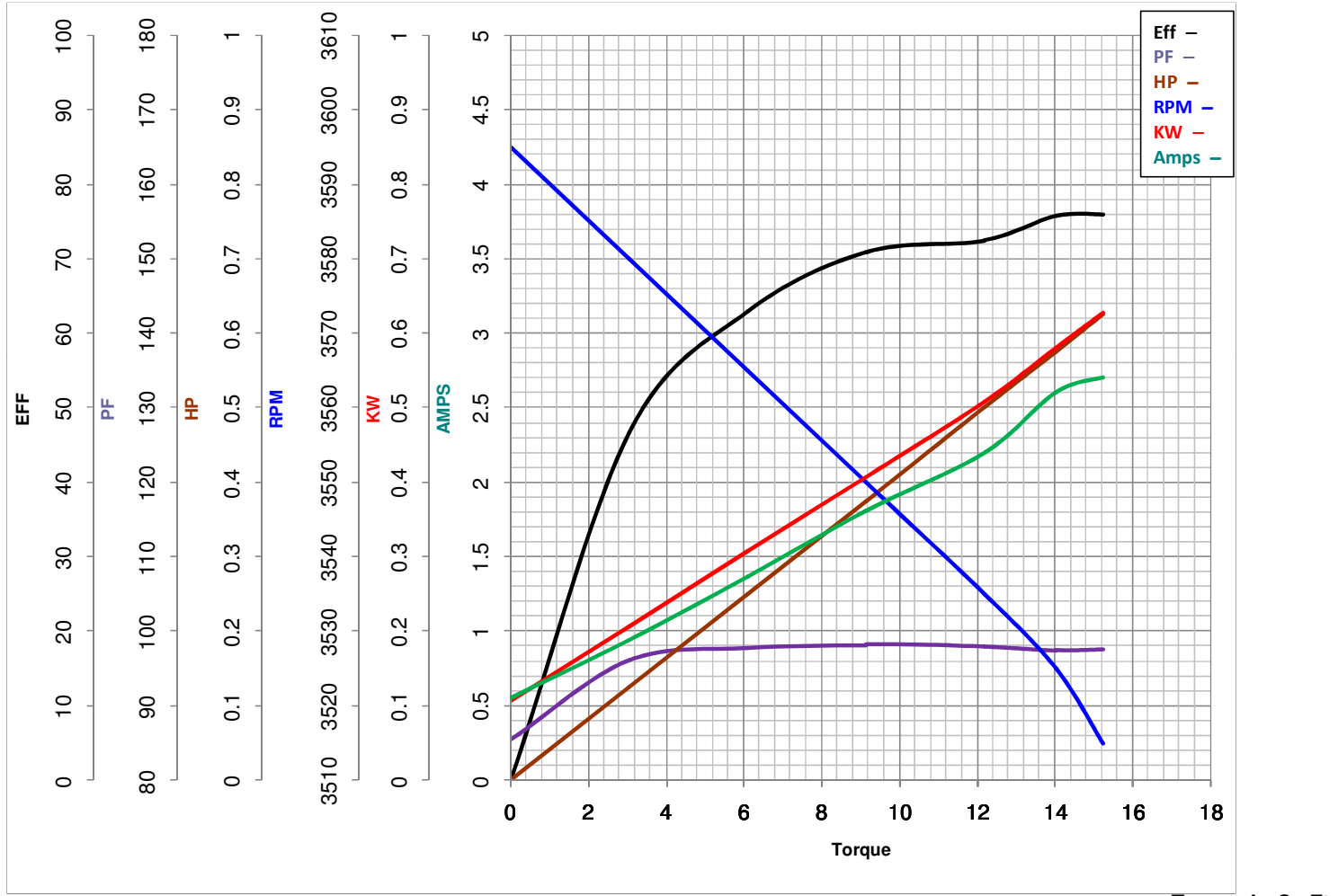
LEESON ELECTRIC CORPORATION
TYPICAL PERFORMANCE CURVE for AC MOTOR

Model No E100356.00

Catalog No E100356.00

Curve at 230 Volts HP 0.50 PHASE 1
60 HZ
0.5 HP VOLTS 115/230

HZ 60 RPM 3450



FL TORQUE	<u>12.2</u> Oz.Ft	FL AMPS	<u>4.4/2.2</u>
BD TORQUE	<u>34.0</u> Oz.Ft	PU TORQUE	<u>32.8</u> Oz.Ft
LR TORQUE	<u>33.23</u> Oz.Ft	LR AMPS	<u>21.16</u>
WINDING	BE48277-3	Date	4/19/2018