

PRODUCT INFORMATION PACKET



Model No: E100210.00

Catalog No: E100210.00

ecoSaver™ General Purpose Motor, 0.33 & 0.25 HP, 3 Ph, 60 & 50 Hz, 230/460 & 190/380 V,
1800 & 1500 RPM, S56 Frame, DP



Regal and Leeson are trademarks of Regal Rexnord Corporation or one of its affiliated companies.

©2023 Regal Rexnord Corporation, All Rights Reserved. MC017097E





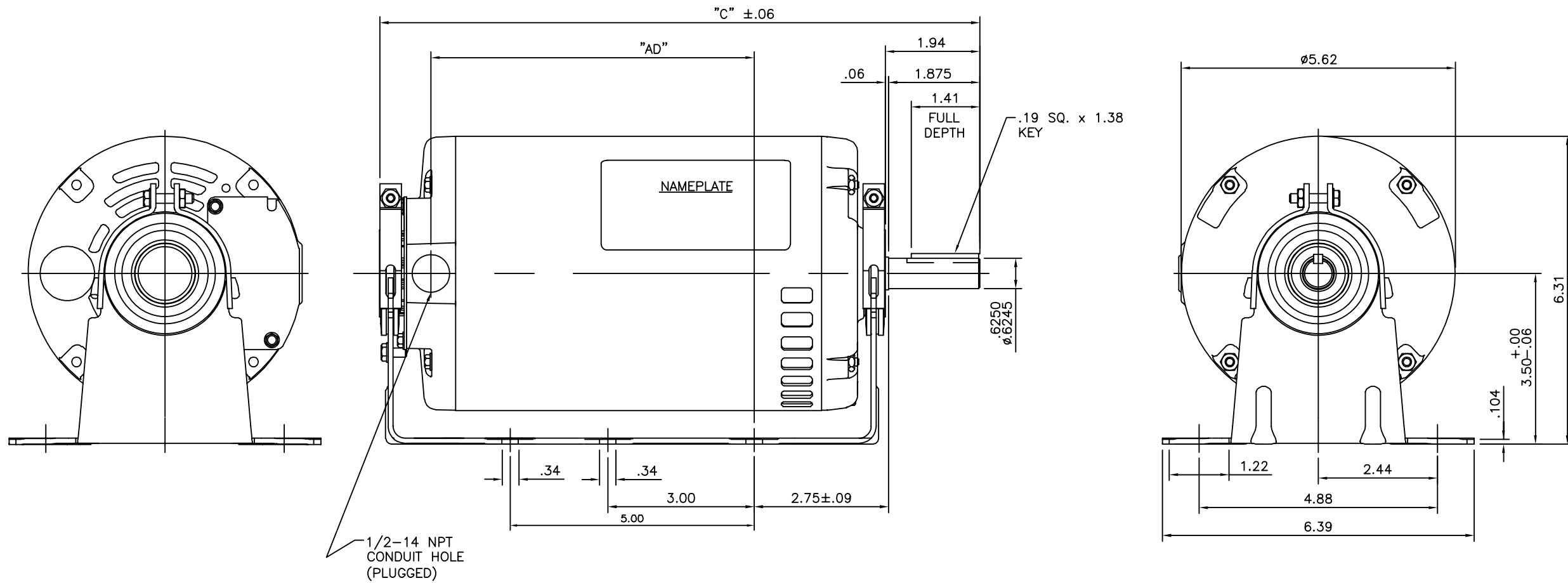
Nameplate Specifications

Phase	3	Output HP	0.33 & 0.25 Hp
Output KW	0.25 & 0.19 kW	Voltage	230/460 & 190/380 V
Speed	1725 & 1425 rpm	Service Factor	1.35 & 1.0
Frame	S56	Enclosure	Drip Proof
Thermal Protection	No Protection	Efficiency	73.4 %
Ambient Temperature	40 °C	Frequency	60 & 50 Hz
Current	1.2/.6 & 1.4/.7 A	Power Factor	70.6
Duty	Continuous	Insulation Class	B
Design Code	B	KVA Code	M
Drive End Bearing Size	6203	Opp Drive End Bearing Size	6203
UL	Recognized	CSA	Y
CE	Y	IP Code	22
Number of Speeds	1		


Technical Specifications

Electrical Type	Squirrel Cage Inverter Rated	Starting Method	Line Or Inverter
Poles	4	Rotation	Reversible
Resistance Main	20.8 Ohms	Mounting	Resilient Base
Motor Orientation	Horizontal	Drive End Bearing	Ball
Opp Drive End Bearing	Ball	Frame Material	Rolled Steel
Shaft Type	NEMA 56	Overall Length	12.31 in
Frame Length	7.50 in	Shaft Diameter	0.625 in
Shaft Extension	1.88 in	Assembly/Box Mounting	F1 ONLY
Inverter Load	CONSTANT 2:1		
Connection Drawing	EE7308-REGAL	Outline Drawing	SS404145-750

SS404145



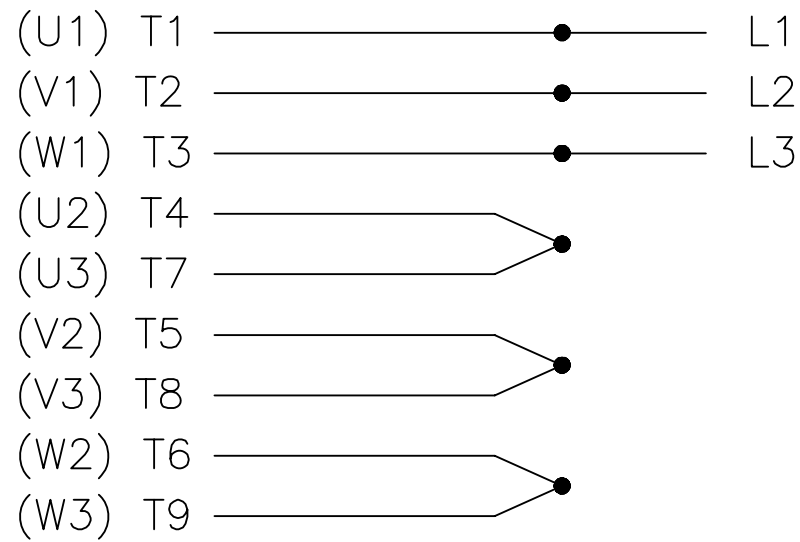
DASH NO.	"C"	"AD"
750	12.31	6.62

		TOLERANCES UNLESS SPECIFIED		 Regal Beloit America, Inc.		DRAWN PVR 01/13/15			
DEC.	INCHES	.X	±.1			CHK SM 01/13/15			
		.XX	±.03	TITLE	OUTLINE - S56 FRAME				
		.XXX	±.005		RESILIENT MOUNT - DRIP PROOF				
		.XXXX	±.0005	MAT'L.	3 PHASE				
NO.	REVISION	BY & DATE	CHK	ANG	±1/2'	FINISH	PREV		
THIS DRAWING IN DESIGN AND DETAIL IS OUR PROPERTY AND MUST NOT BE USED EXCEPT IN CONNECTION WITH OUR WORK ALL RIGHTS OF DESIGN AND INVENTION ARE RESERVED THIS IS AN ELECTRONICALLY GENERATED DOCUMENT - DO NOT SCALE THIS PRINT				RFP	CAD FILE	SS404145	SIZE	DRAWING NO.	REV.
				DIST			B	SS404145	

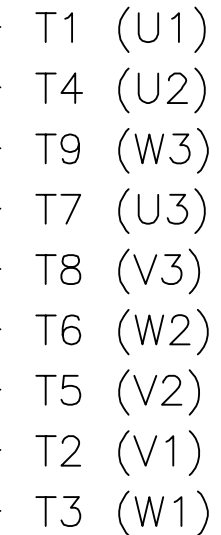
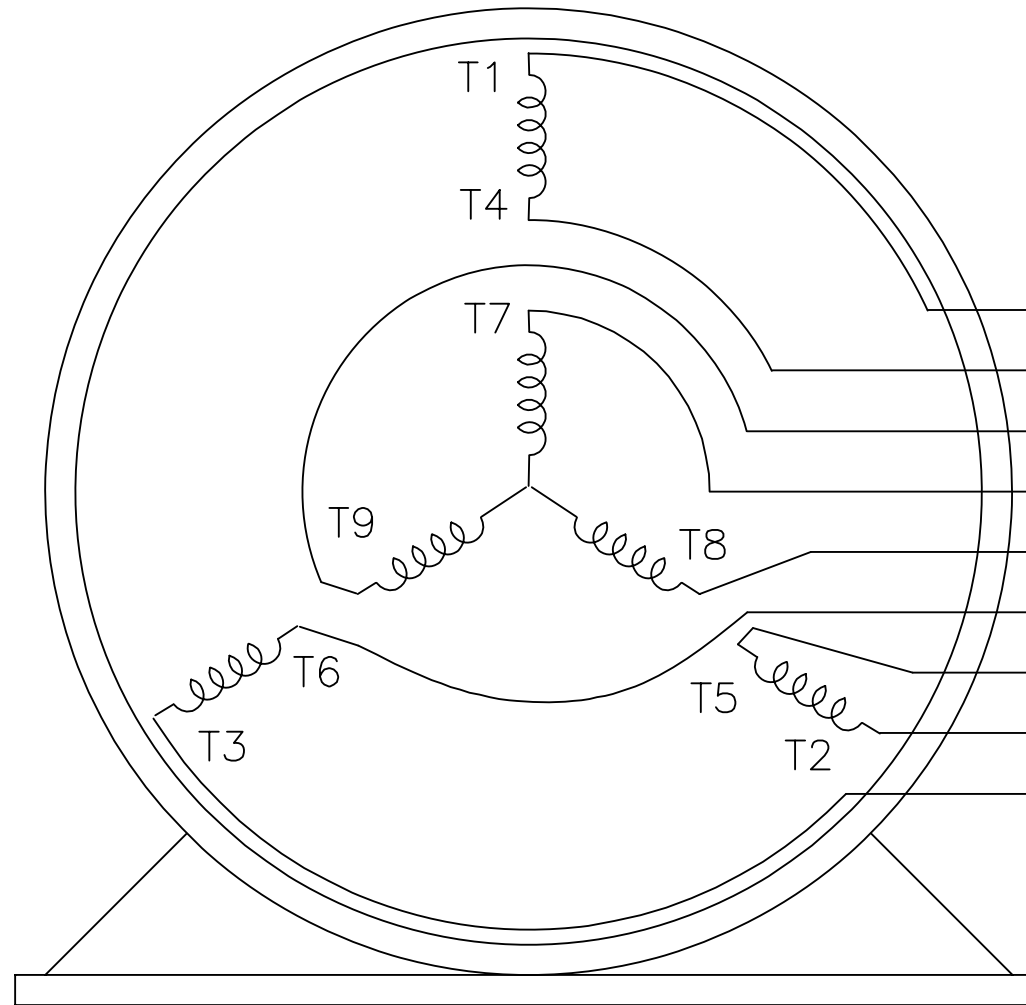
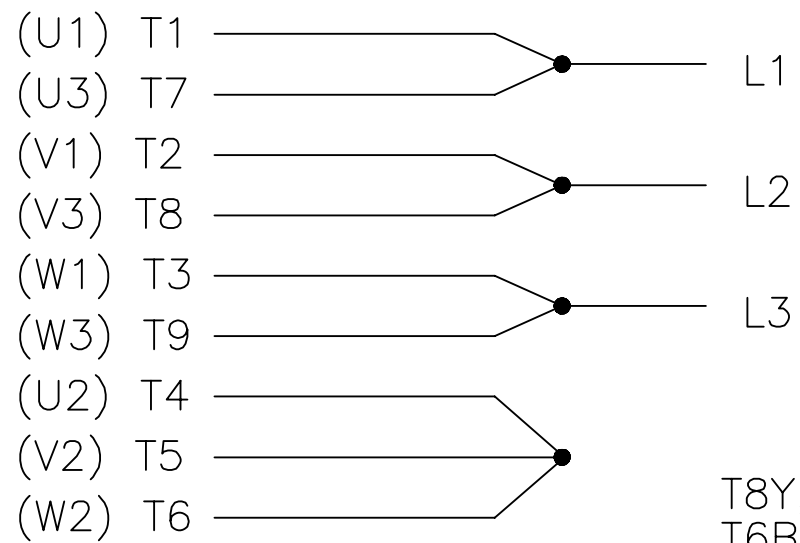
THREE PHASE
DUAL VOLTAGE MOTOR

EE7308-REGAL

HIGH VOLTAGE



LOW VOLTAGE



VIEW OF TERMINAL END

REF.
WINDING DIAGRAM

T8Y, T2Y, T2BL, T4BX, T2EC, T2G
T6BZ, T2B, T6BL, T4AV, T6B, T4B

OPTIONAL CORD
CONNECTION



		TOLERANCES UNLESS SPECIFIED		REGAL™ Regal Beloit America, Inc.		DRAWN JAH 12/02/14	
		DEC.	INCHES			CHK	VS 12/02/14
		.X	±.1			APPD	
		.XX	±.02	TITLE CONNECTION DIAGRAM		SCALE	1=1
		.XXX	±.005	3∅ - DUAL VOLTAGE MOTOR		REF	
1	CREATED NEW DRAWING	JAH 12/02/14	VS	.XXXX	±.0005	MAT'L.	FMF
NO.	REVISION	BY & DATE	CHK	ANG	±7'30"	FINISH	PREV
THIS DRAWING IN DESIGN AND DETAIL IS OUR PROPERTY AND MUST NOT BE USED EXCEPT IN CONNECTION WITH OUR WORK ALL RIGHTS OF DESIGN AND INVENTION ARE RESERVED THIS IS AN ELECTRONICALLY GENERATED DOCUMENT - DO NOT SCALE THIS PRINT				RFP	CAD FILE EE7308-REGAL	SIZE A	DRAWING NO. EE7308-REGAL
				DIST WP		PAGE OF	REV. 1



CERTIFICATION DATA SHEET

**1051 CHEYENNE AVE.
GRAFTON, WI 53024
PH. 262-377-8810**

CATALOG #: E100210.00

CONN. DIAGRAM: A-EE7308-REGAL

OUTLINE: B-SS404145-750

MOUNTING: F1 ONLY

WINDING #: TE484125 3

TYPICAL MOTOR PERFORMANCE DATA

HP	kW	SYNC. RPM	F.L. RPM	FRAME	ENCLOSURE	KVA CODE	DESIGN
1/3&1/4	0.25&0.19	1800	1725&1425	S56	DP	M	B

PH	Hz	VOLTS	AMPS	START TYPE	DUTY	INSL	S.F.	AMB°C
3	60/50	230/460&190/380	1.2/.6&1.4/.7	LINE OR INVERTER	CONTINUOUS	B3	1.35/1.0	40

FULL LOAD EFF:	73.4	3/4 LOAD EFF:	69.4	1/2 LOAD EFF:	62.4	GTD. EFF		ELEC. TYPE	
FULL LOAD PF:	70.6	3/4 LOAD PF:	62.5	1/2 LOAD PF:	52.3	-		SQ CAGE INV RATED	

F.L. TORQUE	LOCKED ROTOR AMPS	L.R. TORQUE	B.D. TORQUE	F.L. RISE°C
16.1 OZ-FT	8.9 / 4.5	70.7 OZ-FT 439 %	77.6 OZ-FT 482 %	25

SOUND PRESSURE @ 3 FT.	SOUND POWER	ROTOR WK^2	MAX. WK^2	SAFE STALL TIME	STARTS / HOUR	APPROX. MOTOR WGT
- dBA	- dBA	- LB-FT^2	- LB-FT^2	- SEC.	-	- LBS.

***** SUPPLEMENTAL INFORMATION *****

DE BRACKET TYPE	ODE BRACKET TYPE	MOUNT TYPE	ORIENTATION	SEVERE DUTY	HAZARDOUS LOCATION	DRIP COVER	SCREENS	PAINT
STANDARD	STANDARD	RESILIENT BASE	HORIZONTAL	FALSE	NONE	FALSE	NONE	GREEN (POWDER)

BEARINGS		GREASE	SHAFT TYPE	SPECIAL DE	SPECIAL ODE	SHAFT MATERIAL	FRAME MATERIAL
DE	ODE						
BALL	BALL	MULTEMP SRL	STANDARD 56	NONE	NONE	1144 STRESSPROOF (C-223)	ROLLED STEEL
6203	6203						

THERMO-PROTECTORS				THERMISTORS	CONTROL	SPACE HEATERS
THERMOSTATS	PROTECTORS	WDG RTDs	BRG RTDs			
NONE	NOT	NONE	NONE	NONE	FALSE	NONE VOLTS

*
N
O
T
E
S

INVERTER TORQUE: CONSTANT 2:1
INV. HP SPEED RANGE: NONE
ENCODER: NONE
NONE NONE
NONE NONE PPR
BRAKE: NONE NONE
NONE P/N NONE
NONE NONE
NONE FT-LB NONE V NONE Hz

Data Sheet

Date: 1/18/2018

E100210.00



Data @ 460 V

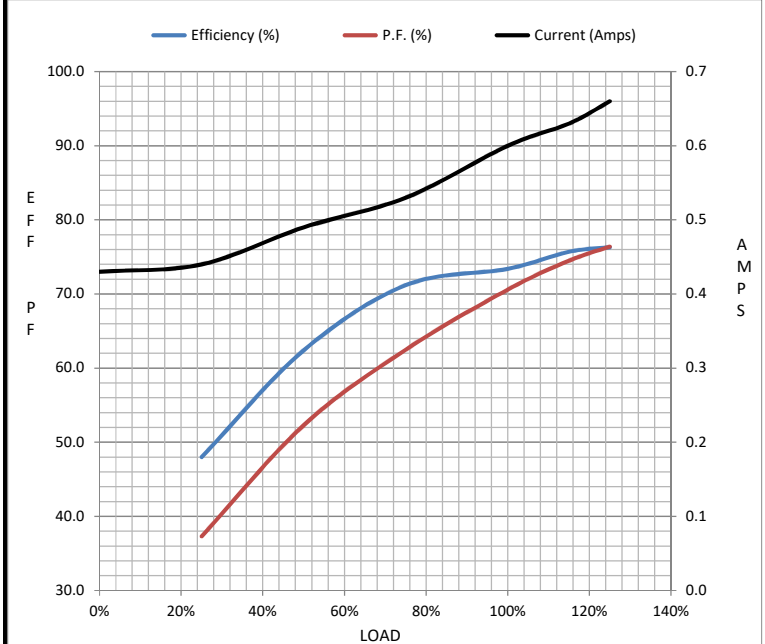
Motor Load Data

Load	0%	25%	50%	75%	100%	115%	125%	LR
Current (Amps)	0.43	0.44	0.49	0.53	0.60	0.63	0.66	4.5
Torque (ft-lb)	0.00	64.8	130	196	261	300	326	1,146
RPM	1800	1780	1770	1760	1745	1,735	1730	0
Efficiency (%)		48.0	62.4	71.2	73.4	75.7	76.3	
P.F. (%)	20.4	37.3	52.3	62.5	70.6	74.5	76.4	0.0

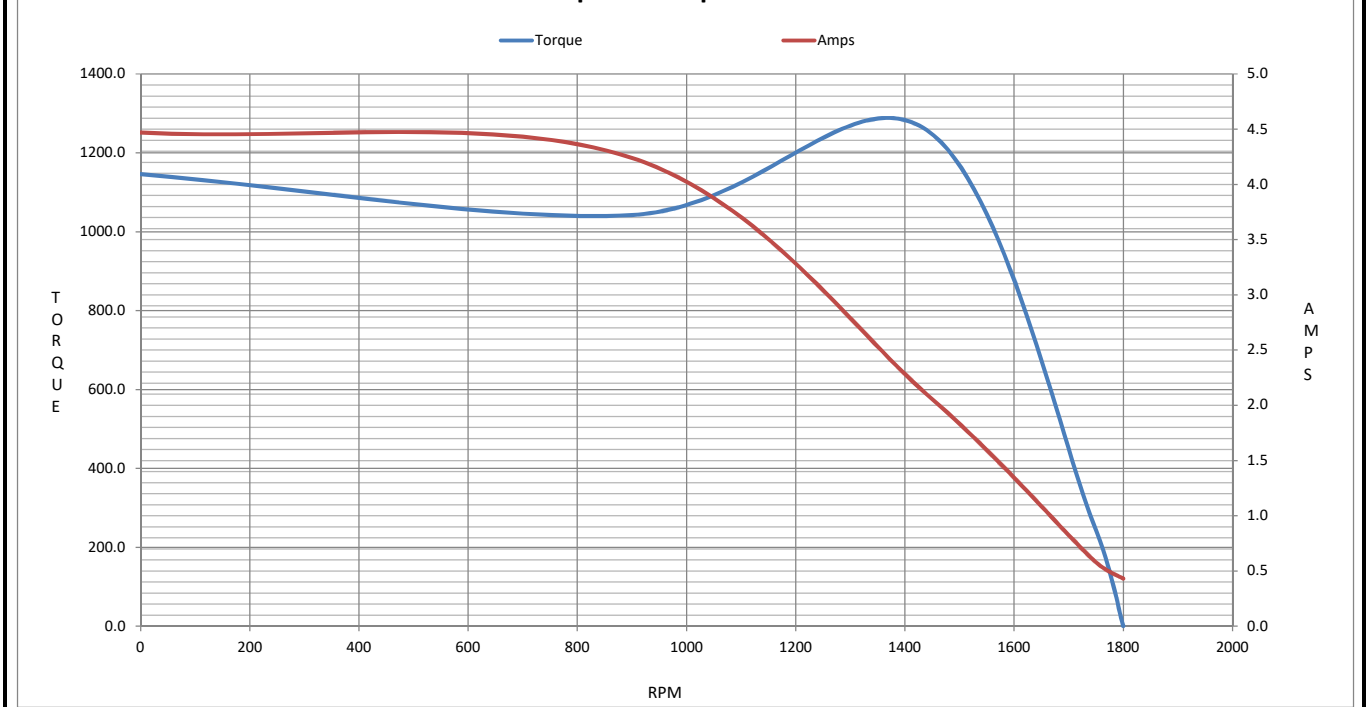
Motor Speed Data

	LR	Pull-Up	BD	Rated	Idle
Speed (RPM)	0	900	1440	1745	1800
Current (Amps)	4.5	4.2	2.10	0.60	0.43
Torque (ft-lb)	1,146	1,042	1,258	261	0.00

Information Block				
HP	0.3			
Sync. RPM	1800			
Frame	48			
Enclosure	DP			
Construction	TDR			
Voltage	230/460#190/380 V			
Frequency	60 Hz			
Design	B			
LR Code letter	M			
Service Factor	1.15			
Temp Rise @ FL	25 °C			
Duty	CONT			
Ambient	40 °C			
Elevation	1,000 feet			
Rotor/Shaft wk ²	0.00 Lb-Ft ²			
Ref Wdg	TE484125 NONE			
Sound Pressure @ 1M	999 dBA			
VFD Rating	CONSTANT 2:1			
Outline Dwg	B-SS404145-750			
Conn. Diag	A-EE7308-REGAL			
Additional Specifications:				
0				
0				
EQUIV CKT (OHMS / PHASE)				
R1	R2	X1	X2	Xm
0.0000	0.0000	0.0000	0.0000	0.0000



Speed - Torque Curve



EC Declaration of Conformity

The undersigned representing
the manufacturer:

Regal Beloit America
100 East Randolph St.
Wausau, WI 54401

and the authorized representative
established within the Community:

Marathon Electric UK
6F Thistleton Road Ind. Estate
Market Overton
Oakham, Rutland LE15 7PP UK

are committed to providing customers with products that comply with applicable regulations and international protocols to which they are subject, including the requirements of the European Parliament Directive on the Harmonization of the laws relating to electrical equipment designed for use within certain voltage limits (2014/35/EU).

Regal Beloit America declares that the following product(s), to which this declaration relates, are in conformity with the relevant sections of the EC standards listed below.

This statement supersedes any statements previously issued pertaining to the product(s) listed below and is subject to change without notice.

Model No : E100210.00

(Model No. may contain prefix and/or suffix characters)

Catalog No : E100210.00

Rework No : N/A

Directives :

Low Voltage Directive 2014/35/EU

Harmonized Standards Used :

EN 60034-1: 2010 (IEC 60034-1: 2010)

EN 60034-5: 2001/A1:2007 (IEC 60034-5: 2000/A1:2006)

Authorized Representative:



Michael A. Logsdon
Vice President, Technology

Authorized Representative in the Community:



Julian Clark
Marketing Engineer

Created on 09/01/2022

CE 22