

PRODUCT INFORMATION PACKET



Model No: E100023.00
Catalog No: E100023.00
0.25 HP General Purpose Motor, 1 phase, 1800 RPM, 115/230 V, 56C Frame, ODP
General Purpose Motors



Regal and Leeson are trademarks of Regal Rexnord Corporation or one of its affiliated companies.
©2021 Regal Rexnord Corporation, All Rights Reserved. MC017097E



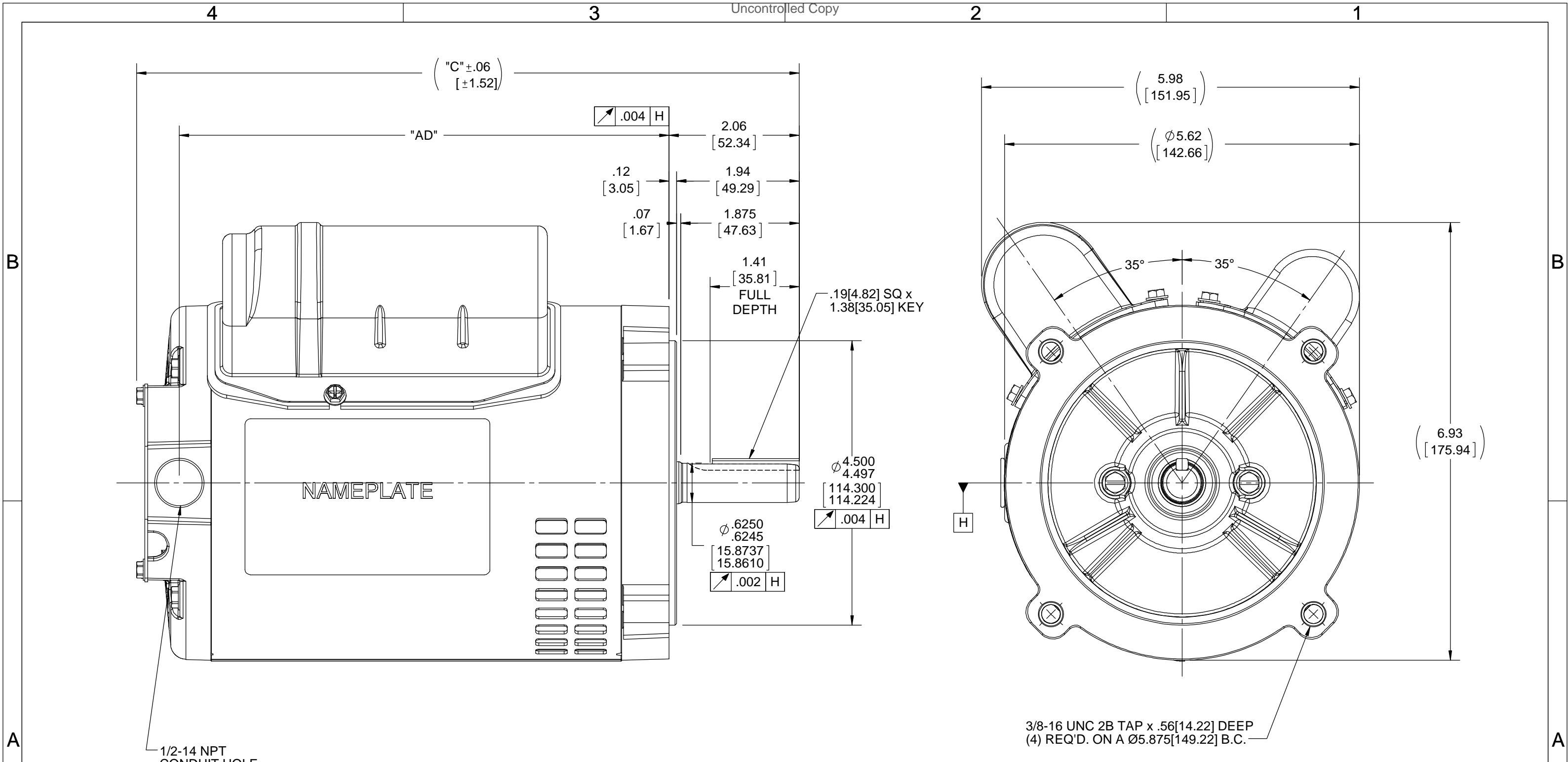


Nameplate Specifications

| | | | |
|------------------------|-------------------|----------------------------|-------------------|
| Output HP | 0.25 Hp | Output KW | 0.19 kW |
| Frequency | 60 Hz | Voltage | 115/230 V |
| Current | 2.4/1.2 A | Speed | 1725 rpm |
| Service Factor | 1.35 | Phase | 1 |
| Efficiency | 68.5 % | Power Factor | 92.7 |
| Duty | Continuous | Insulation Class | B |
| Design Code | N | KVA Code | M |
| Frame | S56C | Enclosure | Drip Proof |
| Thermal Protection | No | Ambient Temperature | 40 °C |
| Drive End Bearing Size | 6203 | Opp Drive End Bearing Size | 6203 |
| UL | Recognized | CSA | Y |
| CE | Y | IP Code | 22 |
| Number of Speeds | 1 | | |

Technical Specifications

| | | | |
|-----------------------|--------------------------------------|-----------------------|-----------------------------------|
| Electrical Type | Capacitor Start Capacitor Run | Starting Method | Across The Line |
| Poles | 4 | Rotation | Selective Counterclockwise |
| Resistance Main | 0 Ohms | Mounting | Round |
| Motor Orientation | Horizontal | Drive End Bearing | Ball |
| Opp Drive End Bearing | Ball | Frame Material | Rolled Steel |
| Shaft Type | NEMA 56 | Overall Length | 10.74 in |
| Frame Length | 6.75 in | Shaft Diameter | 0.625 in |
| Shaft Extension | 1.88 in | Assembly/Box Mounting | F1 ONLY |
| Outline Drawing | SS404325-675 | Connection Drawing | 005054.15-REGAL |



1/2-14 NPT
CONDUIT HOLE
(PLUGGED)

| DASH NO. | "C" | "AD" |
|----------|---------------|--------------|
| 650 | 10.49[266.44] | 7.75[196.85] |
| 675 | 10.74[272.79] | 8.00[203.20] |

| DRAWING REVISION | REVISION BY | DATE |
|--|-------------|------|
| A | | |
| ECO | APPROVED BY | DATE |
| ECO-0157933 | | |
| ECO DESCRIPTION | | |
| OUTLINE CONVERSION PROJECT COPYRIGHT REGAL BELOIT AMERICA, INC. ALL RIGHTS RESERVED. PROPRIETARY AND CONFIDENTIAL INFORMATION - THIS DOCUMENT IS THE PROPERTY OF REGAL BELOIT AMERICA, INC. ("OWNER") AND CONTAINS OWNER'S PROPRIETARY INFORMATION. ANY PERSON, CORPORATION OR OTHER FIRM RECEIVING IT IS DEEMED, BY RECEIVING IT, TO AGREE THAT IT, AND/OR ANY PART OF IT, SHALL NOT BE DISCLOSED TO ANY PERSON, CORPORATION OR OTHER ENTITY, DUPLICATED, AND/OR USED, EXCEPT AS EXPRESSLY APPROVED IN WRITING IN ADVANCE BY OWNER. THIS DOCUMENT SHALL BE RETURNED TO OWNER UPON REQUEST. IT MAY BE SUBJECT TO CERTAIN RESTRICTIONS UNDER APPLICABLE EXPORT CONTROL LAWS AND REGULATIONS. | | |

TOLERANCES UNLESS OTHERWISE SPECIFIED:

| DEC. | INCH | mm | ANGLE |
|-------|---------|-----------|-------|
| .X | ±0.1 | [±2.5] | ±0.5° |
| .XX | ±0.03 | [±0.76] | |
| .XXX | ±0.005 | [±0.127] | |
| .XXXX | ±0.0005 | [±0.0127] | |

REMOVE BURRS & BREAK SHARP EDGES: .003/.015 [0.076/.381] X 45°
 CORNER FILLETS: R.02 [0.51]
 MACHINED SURFACES: 125 3.2 INCH/mm
 mm SHOWN IN [BRACKETS]

| DRAWN BY | DATE |
|-------------|------------------------|
| H. ADIKE | 11/19/2018 |
| APPROVED BY | DATE |
| JD | 12/6/2018 |
| REFERENCE | THIRD ANGLE PROJECTION |
| SS404121 | |

| Regal Beloit America, Inc. | |
|--|----------------|
| DESCRIPTION | PROCESS/FINISH |
| OUTLINE S56 FRAME ROUND MOUNT - DRIP PROOF | |
| MATERIAL | DRAWING NUMBER |
| | SS404325 |
| SIZE | SHEET |
| B | 1 OF 1 |



**1051 CHEYENNE AVE.
GRAFTON, WI 53024
PH. 262-377-8810**

CERTIFICATION DATA SHEET

CONN. DIAGRAM: A-005054.15-REGAL

CATALOG #: E100023.00

OUTLINE: A-SS404325-675

MOUNTING: F1 ONLY

WINDING #: BE484113 3

TYPICAL MOTOR PERFORMANCE DATA

| HP | kW | SYNC. RPM | F.L. RPM | FRAME | ENCLOSURE | KVA CODE | DESIGN |
|-----|------|-----------|----------|-------|-----------|----------|--------|
| 1/4 | 0.19 | 1800 | 1725 | S56C | DP | M | N |

| PH | Hz | VOLTS | AMPS | START TYPE | DUTY | INSL | S.F. | AMB°C |
|----|----|---------|---------|-----------------|------------|------|------|-------|
| 1 | 60 | 115/230 | 2.4/1.2 | ACROSS THE LINE | CONTINUOUS | B3 | 1.35 | 40 |

| FULL LOAD EFF: | 68.5 | 3/4 LOAD EFF: | 65.7 | 1/2 LOAD EFF: | 57.4 | GTD. EFF | | ELEC. TYPE | |
|----------------|------|---------------|------|---------------|------|----------|--|-------------------|--|
| FULL LOAD PF: | 92.7 | 3/4 LOAD PF: | 91.3 | 1/2 LOAD PF: | 88.3 | 64 | | CAP START CAP RUN | |

| F.L. TORQUE | LOCKED ROTOR AMPS | L.R. TORQUE | B.D. TORQUE | F.L. RISE°C |
|-------------|-------------------|------------------|----------------|-------------|
| 12 OZ-FT | 21.4 / 10.7 | 40.7 OZ-FT 339 % | 31 OZ-FT 258 % | 20 |

| SOUND PRESSURE @ 3 FT. | SOUND POWER | ROTOR WK^2 | MAX. WK^2 | SAFE STALL TIME | STARTS / HOUR | APPROX. MOTOR WGT |
|------------------------|-------------|------------|-----------|-----------------|---------------|-------------------|
| 0 dBA | 10 dBA | 0 LB-FT^2 | 0 LB-FT^2 | 10 SEC. | 0 | 17 LBS. |

***** SUPPLEMENTAL INFORMATION *****

| DE BRACKET TYPE | ODE BRACKET TYPE | MOUNT TYPE | ORIENTATION | SEVERE DUTY | HAZARDOUS LOCATION | DRIP COVER | SCREENS | PAINT |
|-----------------|------------------|------------|-------------|-------------|--------------------|------------|---------|----------------|
| C-FACE | STANDARD | ROUND | HORIZONTAL | FALSE | NONE | FALSE | NONE | GREEN (POWDER) |

| BEARINGS | | GREASE | SHAFT TYPE | SPECIAL DE | SPECIAL ODE | SHAFT MATERIAL | FRAME MATERIAL |
|----------|------|-------------|-------------|------------|-------------|--------------------------|----------------|
| DE | ODE | | | | | | |
| BALL | BALL | MULTEMP SRL | STANDARD 56 | NONE | NONE | 1144 STRESSPROOF (C-223) | ROLLED STEEL |
| 6203 | 6203 | | | | | | |

| THERMO-PROTECTORS | | | | THERMISTORS | CONTROL | SPACE HEATERS |
|-------------------|------------|----------|----------|-------------|---------|---------------|
| THERMOSTATS | PROTECTORS | WDG RTDs | BRG RTDs | | | |
| NONE | NOT | NONE | NONE | NONE | FALSE | NONE VOLTS |

*
N
O
T
E
S

| |
|----------------------------------|
| INVERTER TORQUE: NONE |
| INV. HP SPEED RANGE: NONE |
| ENCODER: NONE |
| NONE NONE |
| NONE NONE PPR |
| BRAKE: NONE NONE |
| NONE P/N NONE |
| NONE NONE |
| NONE FT-LB NONE V NONE Hz |



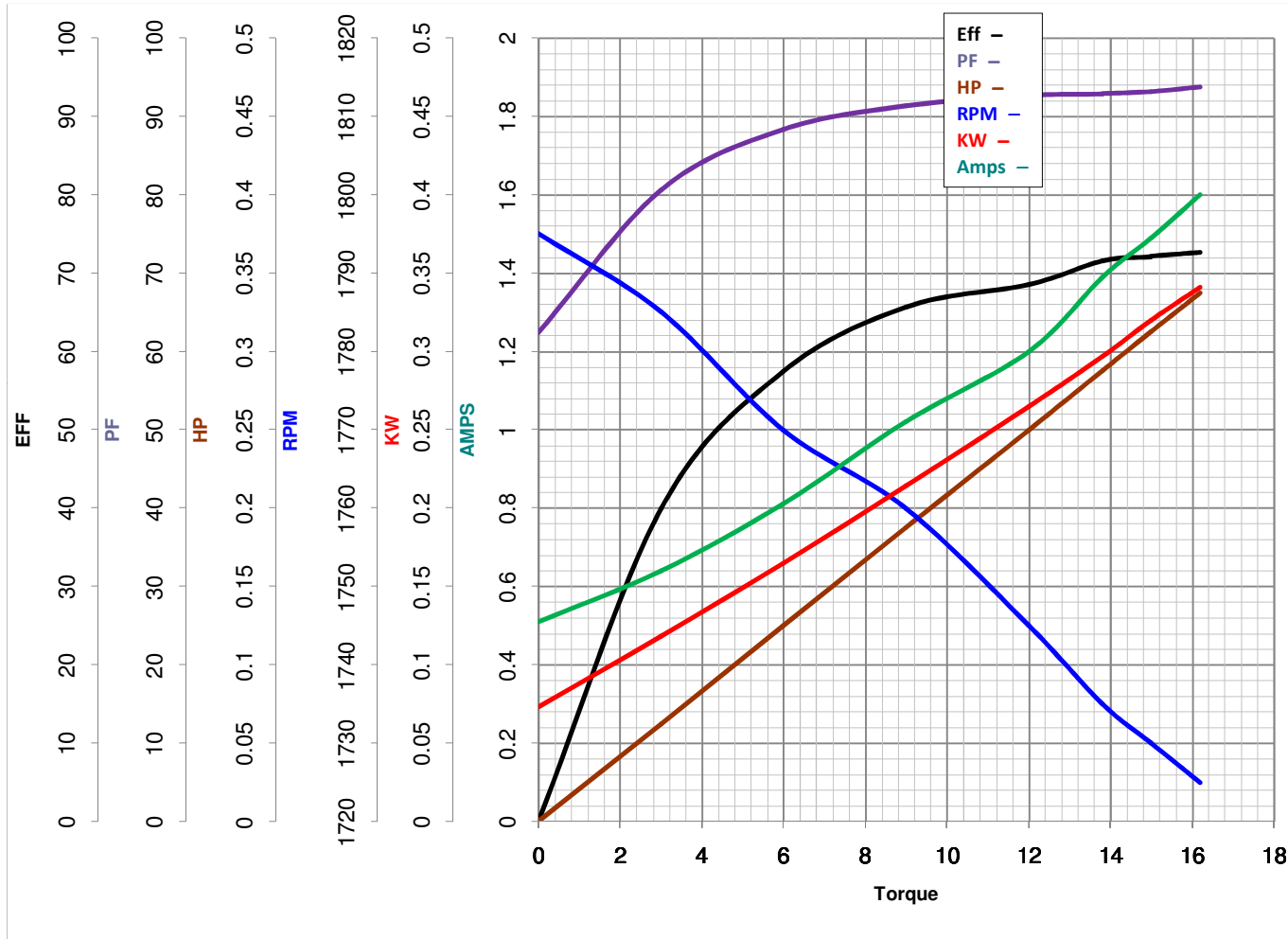
LEESON ELECTRIC CORPORATION TYPICAL PERFORMANCE CURVE for AC MOTOR

Model No E100023.00

Curve at 230 Volts HP 0.26 PHASE 1
60 HZ
0.25 HP VOLTS 115/230

Catalog No E100023.00

HZ 60 RPM 1725



Torque in Oz.Ft

FL TORQUE 12 Oz.Ft
BD TORQUE 31.0 Oz.Ft
LR TORQUE 40.7 Oz.Ft

FL AMPS 2.4/1.2
PU TORQUE 40.7 Oz.Ft
LR AMPS 10.7

WINDING BE484113-3

Date 4/23/2018