

# PRODUCT INFORMATION PACKET

Model No: 108370.00  
Catalog No: 108370.00  
Metric Motor, 180 V, 1800 RPM, 80 Frame, IP54



Regal and are trademarks of Regal Rexnord Corporation or one of its affiliated companies.  
©2022 Regal Rexnord Corporation, All Rights Reserved. MC017097E

### Nameplate Specifications

Output KW	1.1 kW	Voltage	180 V
Current	6.7 A	Speed	1800 rpm
Service Factor	1	Efficiency	85 %
Duty	S1	Insulation Class	F
Frame	80	Enclosure	IP54
Thermal Protection	No Protection	Ambient Temperature	40 °C
Drive End Bearing Size	6204	Opp Drive End Bearing Size	6203
UL	Recognized	CSA	Y
CE	Y		

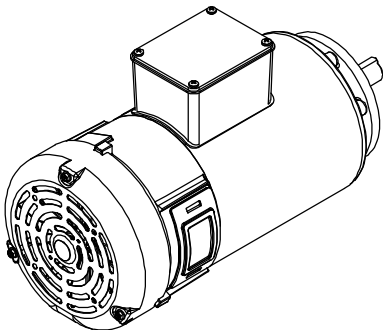
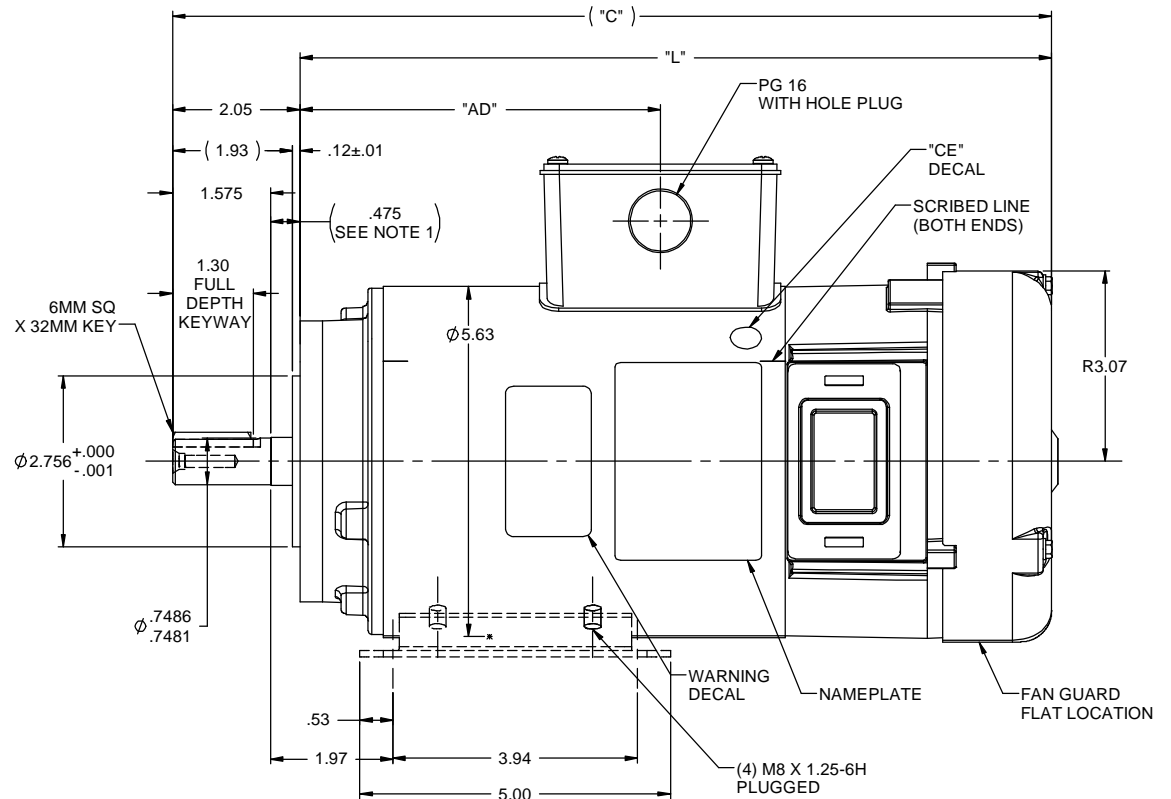
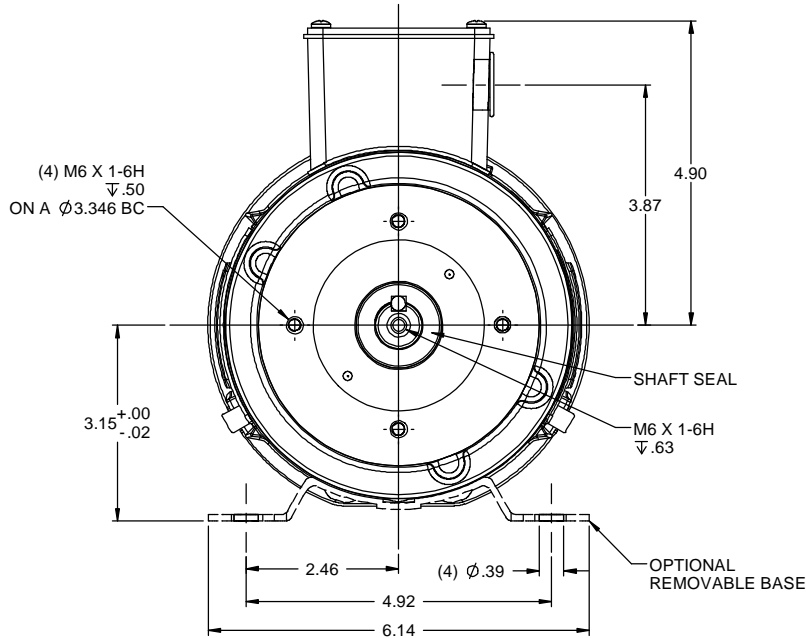
### Technical Specifications

Rotation	Reversible	Mounting	Special
Overall Length	15.15 in	Frame Length	7.47 in
Shaft Diameter	0.750 in	Shaft Extension	2.05 in
Torque	35 LB-IN		
Outline Drawing	031898-108370	Connection Drawing	00531901

This is an uncontrolled document once printed or downloaded and is subject to change without notice. Date Created:09/19/2022

**RBC PROPRIETARY AND CONFIDENTIAL INFORMATION**

This document is the property of REGAL BELOIT CORPORATION ("RBC") including its subsidiaries and divisions and contains proprietary information of RBC. This document is loaned on the express condition that neither it nor the information contained therein shall be disclosed to others without the express written consent of RBC, and that the information shall be used by the recipient only as approved expressly by RBC. This document shall be returned to RBC upon its request. This document may be subject to certain restrictions under U.S. export control laws and regulations.



- NOTES:
- 1) DIMENSION IS SPACE PROVIDED FOR A BOLT-ON B5 OR B14 ADAPTER KIT FOR THE IEC 80 FRAME.
  - 2) MAXIMUM FACE RUNOUT TO BE .004 T.I.R.
  - 3) MAXIMUM PILOT ECCENTRICITY .004 T.I.R.
  - 4) PERMISSIBLE SHAFT RUNOUT .002 T.I.R.
  - 5) GASKETS THROUGHOUT.

CATALOG No.	"C"	"L"	"AD"	VOLTS	K.W.	RPM
108369.00	14.15	12.10	5.81	180	.55	1800
108370.00	15.15	13.10	6.81	180	.75	1800
108371.00	17.15	15.10	8.81	180	1.1	1800
108372.00	14.15	12.10	5.81	180	.75	3000
108373.00	15.15	13.10	6.81	180	1.1	3000

NO	REVISION	BY & DATE	CHK	ANG	$\pm 1/2^\circ$	FINISH
04	CHANGED 1.93 & .475 DIMS TO REF. ISAAC 12-1122	IPG 3/27/12				
03	ADDED NOTE ABOUT FAN GUARD FLAT LOCATION, ISAAC 09-4813	IPG 12/9/09				
02	CAT. # 108371.00: "C" WAS 17.65, "L" WAS 15.60, "AD" WAS 9.31. ISAAC 09-1828	IPG 5/14/09	SK	XX	$\pm .03$	
01	UPDATED SCRIBED LINE LOCATION PER FRAME CHANGE.	IPG 2/18/09	SK	XXXX	$\pm .0005$	
			CHK	ANG	$\pm 1/2^\circ$	FINISH

THIRD ANGLE PROJECTION

RFP

NETWORK FILE NAME 031898

PREV

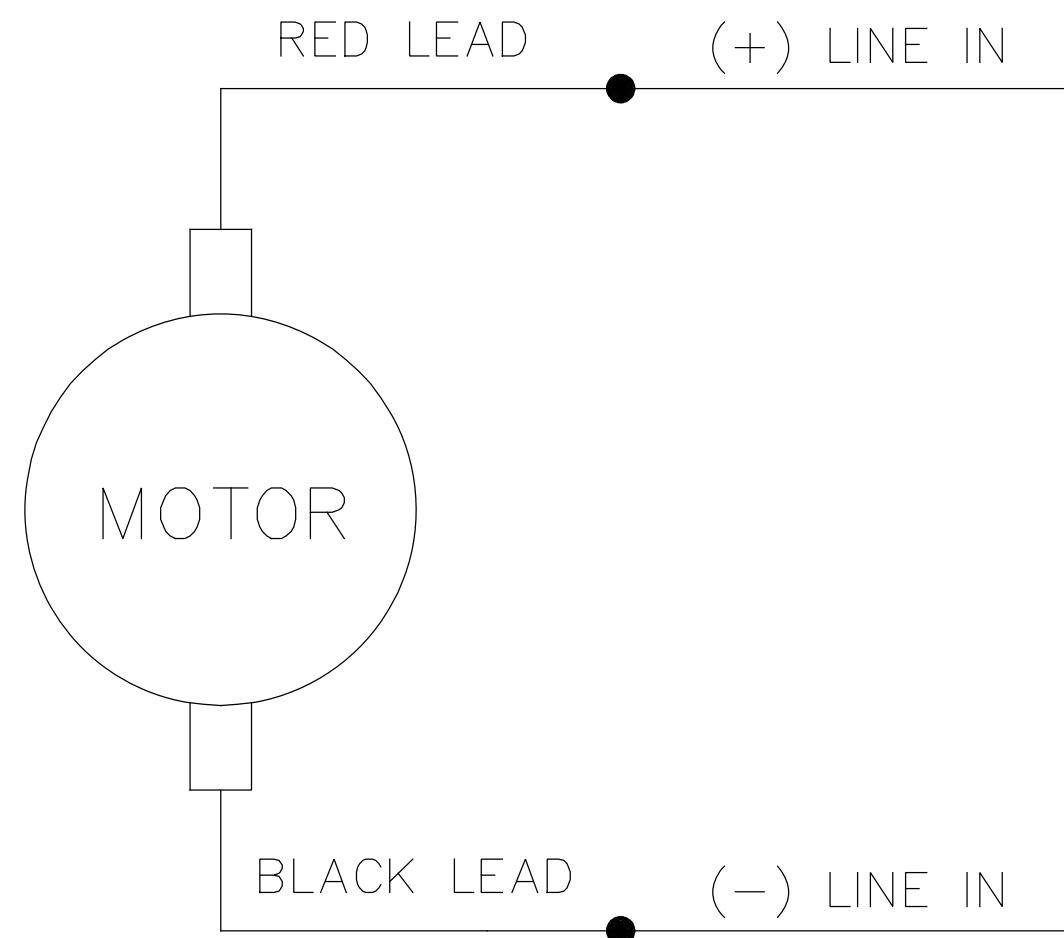
SIZE **B**

DRAWING NO **031898**

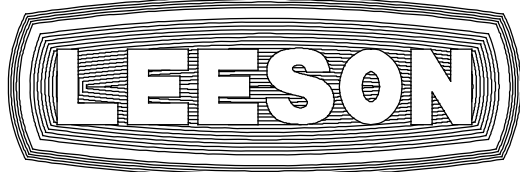
REV **04**

**LEESON** ELECTRIC MOTORS GEARMOTORS AND DRIVES

DRAWN IPG 6/24/08  
CHK BC 6/24/08  
APPR  
SCALE 1:2  
REF 030855  
FMF 108369.75  
PAGE OF



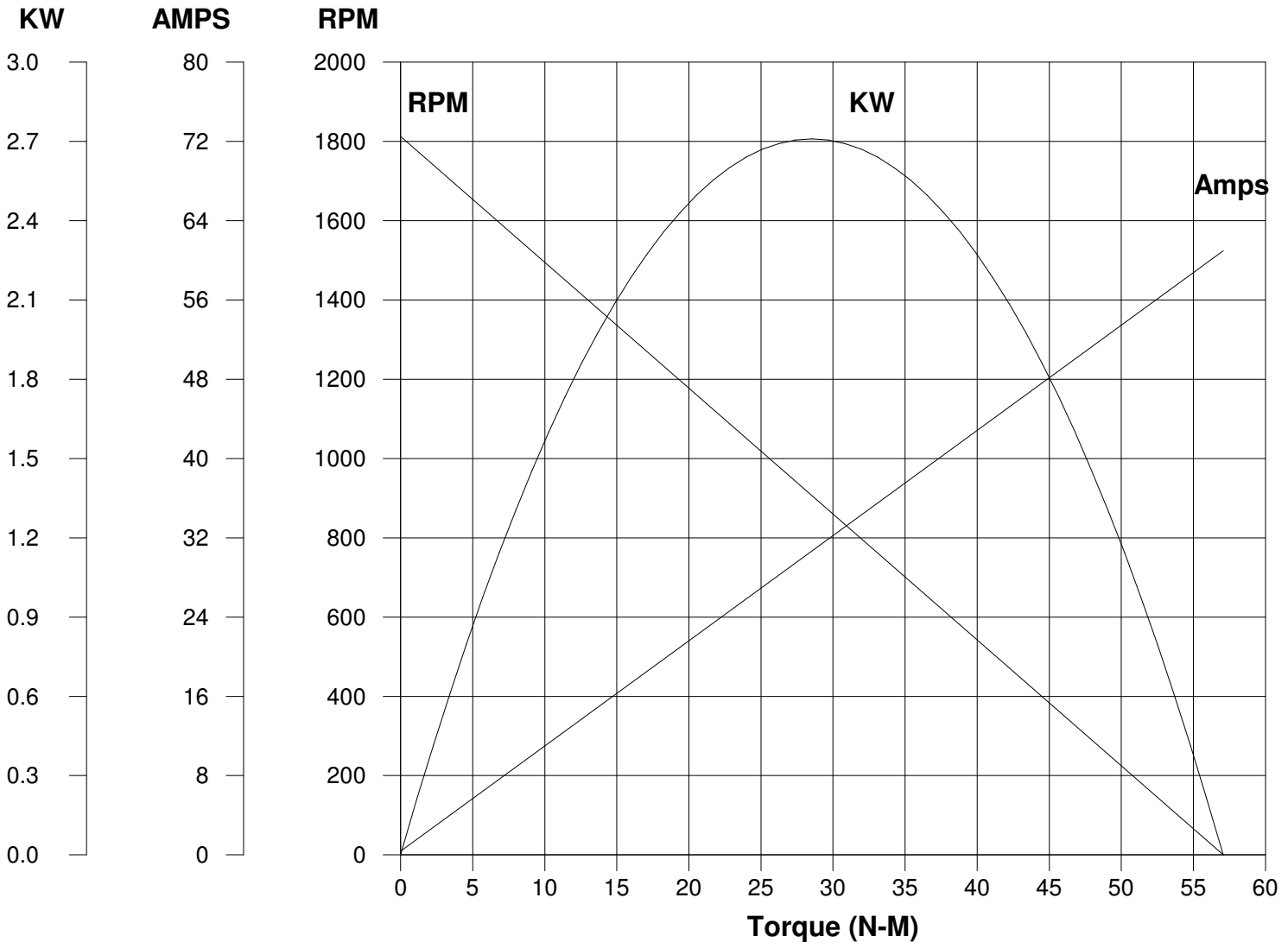
CONNECTIONS SHOWN FOR CCW ROTATION FACING LEAD END OF THE MOTOR  
 TO REVERSE ROTATION INTERCHANGE LINE LEADS

			TOLERANCES UNLESS SPECIFIED			ELECTRIC MOTORS GEARMOTORS AND DRIVES	DRAWN TJF 11/15/97		
			DEC.	INCHES			CHK		
			.X	±.1			APPD	POW 11/15/97	
E	"MOTOR" WAS "ARMATURE", ECO-0163602	IPG 3/14/19	.XX	±.01	TITLE	EXTERNAL WIRING DIAGRAM	SCALE	1=2	
D	UPDATED TO MAKE IT GENERIC, ECO-0163547	IPG 3/13/19	.XXX	±.005		PMDC MOTOR	REF		
01	REDRAWN ON CAD. REVISED NOTES.	SJB 9/20/2005	.XXXX	±.0005	MAT'L.		FMF		
NO.	REVISION	BY & DATE	CHK	ANG	±1/2°	FINISH	PREV		
THIS DRAWING IN DESIGN AND DETAIL IS OUR PROPERTY AND MUST NOT BE USED EXCEPT IN CONNECTION WITH OUR WORK ALL RIGHTS OF DESIGN AND INVENTION ARE RESERVED THIS IS AN ELECTRONICALLY GENERATED DOCUMENT - DO NOT SCALE THIS PRINT			RFP	CAD FILE		00531901	SIZE	DRAWING NO.	REV.
			DIST				A	005319.01	E

# LEESON ELECTRIC CORPORATION

## TYPICAL PERFORMANCE CURVE FOR DIRECT CURRENT PERMANENT MAGNET MOTOR

**Model No.** CI4D17FT2                      **Catalog No.** 108370.00  
**KW** 0.750                      **RPM** 1800                      **DC Volts** 180.0                      **N.P. FLA** 4.60  
**F.F.** 1.38                      **Encl** IP54                      **Type** 80-14                      **S.F.** 1.00  
**Max. Amb.** 40.0 Deg C                      **Insul.** F                      **Frame** 80D                      **Duty** S1



**Ra** 1.7000 Ohms  
**La** 23.60 mHenrys  
**Ja** 42.14 KG-CM<sup>2</sup>  
**Ke** 98.89 V/KRPM

**Kt** 0.9444 N-M/AMP  
**Imax** 50.0 AMPS Allowed  
**FL Torque** 3.954 N-M  
**FL EFF** 85.00 %

**Winding W-** D5626-1                      **Prepared by** S. Bernhardt                      **Date** 05-06-2009