

# PRODUCT INFORMATION PACKET



Model No: M1120185.00  
Catalog No: M1120185.00  
0.25 HP Washdown Duty DC Motor, 2500 RPM, 90 V, 32 Frame, IP55  
Sub-Fractional Motors



Regal and Leeson are trademarks of Regal Rexnord Corporation or one of its affiliated companies.  
©2021 Regal Rexnord Corporation, All Rights Reserved. MC017097E





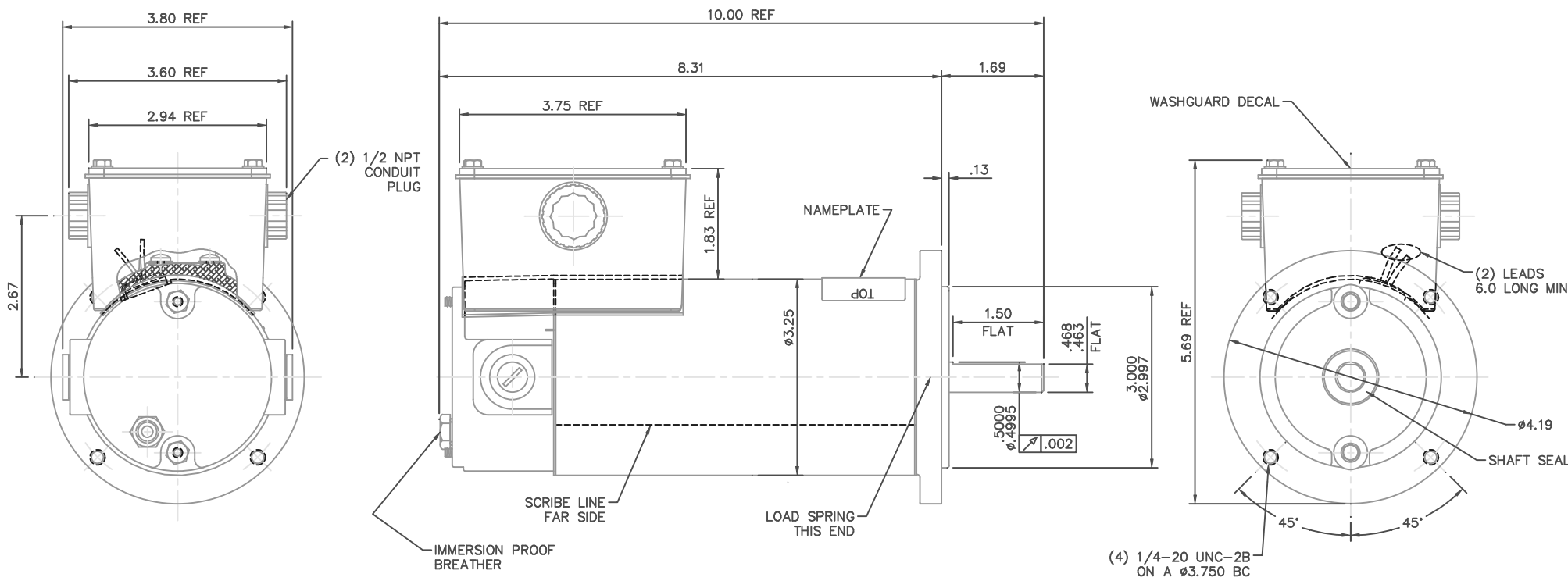
**Nameplate Specifications**

Output HP	0.25 Hp	Output KW	0.19 kW
Voltage	90 V	Current	2.6 A
Speed	2500 rpm	Service Factor	1
Efficiency	84.4 %	Duty	Continuous
Insulation Class	F	Frame	32
Enclosure	IP55	Thermal Protection	No
Ambient Temperature	40 °C	Drive End Bearing Size	6201-13
Opp Drive End Bearing Size	6201-13	UL	Recognized
CSA	Y	CE	N


**Technical Specifications**

Rotation	Reversible	Mounting	Round
Overall Length	10.00 in	Frame Length	5.94 in
Shaft Diameter	0.500 in	Shaft Extension	1.69 in
Torque	101 OZ-IN		
Connection Drawing	M100530801	Outline Drawing	M1030970

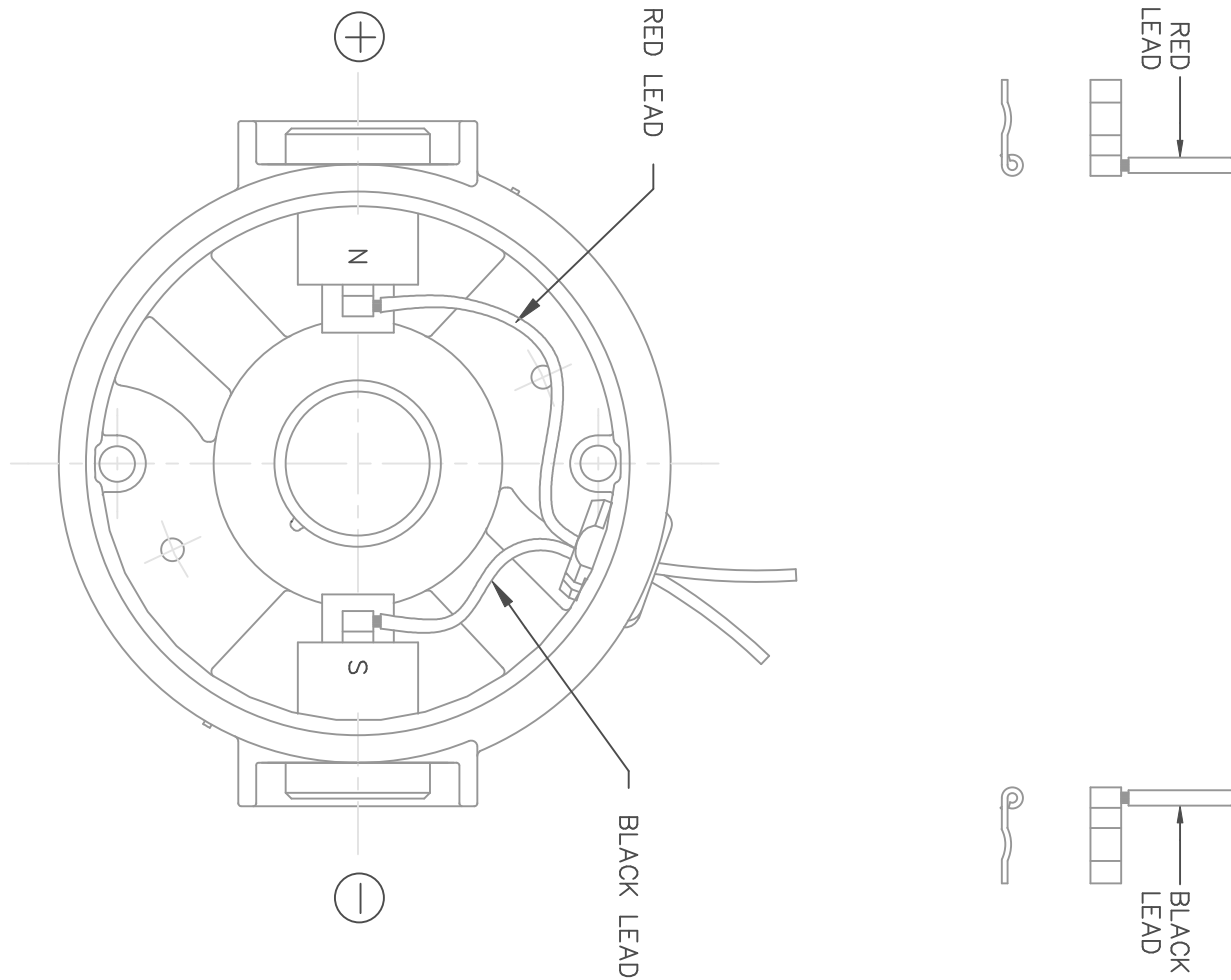
This is an uncontrolled document once printed or downloaded and is subject to change without notice. Date Created:10/07/2021




NOTES:  
 1) GASKETS BETWEEN FRAME AND ENDBELLS, CONDUIT BOX AND FRAME, AND CONDUIT BOX COVER AND CONDUIT BOX.

				TO DIMENSIONS UNLESS SPECIFIED		 ELECTRIC MOTORS GEARMOTORS AND DRIVES	DRAWN IPG 4/26/05 CHK SAD 4/26/05 APPD			
				DEC.	INCHES		SCALE 5=8			
02	1/2 NPT CONDUIT PLUG QTY. WAS 3. ISAAC 08-3457	RPB	7/29/08	BC	.XX	$\pm .03$	TITLE OUTLINE 32 FRAME DC	REF PR040117-RD1		
01	REVISED SHAFT EXTENSION & SE ENDBELL ECR 86186	SAD	7/19/05	BC	.XXX	$\pm .005$		FMF M1120185.00		
00	RELEASED: REF. PR040117-RD1	IPG	4/26/05	SAD	.XXXX	$\pm .0005$		PREV		
NO.	REVISION	BY & DATE		CHK	ANG	$\pm 1/2'$	FINISH	REV		
THIS DRAWING IN DESIGN AND DETAIL IS OUR PROPERTY AND MUST NOT BE USED EXCEPT IN CONNECTION WITH OUR WORK ALL RIGHTS OF DESIGN AND INVENTION ARE RESERVED THIS IS AN ELECTRONICALLY GENERATED DOCUMENT - DO NOT SCALE THIS PRINT				RFP			CAD FILE M1030970	SIZE B	DRAWING NO. M1030970.00	REV. 02
				DIST						

D.C. MOTORS



EXTERNAL CONNECTIONS FOR CW ROTATION  
 VIEWING LEAD END OF MOTOR WITH RED LEAD  
 POSITIVE (+) AND BLACK LEAD NEGATIVE (-)  
 FOR CCW ROTATION REVERSE POLARITY

				TOLERANCES UNLESS SPECIFIED		 ELECTRIC MOTORS GEARMOTORS AND DRIVES	DRAWN IPG 4/8/05 CHK SAD 4/8/05 APPD SCALE 1=1 REF PR040117-RD1 FMF M1120085.00 PREV	
				DEC.	INCHES		TITLE	CONNECTION DIAGRAM
				.X	±.1			
				.XX	±.01			
				.XXX	±.005			
00	RELEASED: REF. PR040117-RD1	IPG	4/8/05	SAD	.XXXX	±.0005	MAT'L.	
NO.	REVISION	BY & DATE		CHK	ANG	±1/2'	FINISH	
THIS DRAWING IN DESIGN AND DETAIL IS OUR PROPERTY AND MUST NOT BE USED EXCEPT IN CONNECTION WITH OUR WORK ALL RIGHTS OF DESIGN AND INVENTION ARE RESERVED THIS IS AN ELECTRONICALLY GENERATED DOCUMENT - DO NOT SCALE THIS PRINT				RFP	CAD FILE M100530801		SIZE	
				DIST			DRAWING NO.	
						A	M1005308.01	
						REV. 00		