

# PRODUCT INFORMATION PACKET



Model No: 122188.00

Catalog No: 122188.00

..3490RPM.143JM.TEFC.230/460V.3PH.60HZ.CONT.40C.1.15SF.JM PUMP.C143T34WK10.....WASHDOWN MOTOR

Washdown Pump Motors



Regal and Leeson are trademarks of Regal Rexnord Corporation or one of its affiliated companies.

©2021 Regal Rexnord Corporation, All Rights Reserved. MC017097E



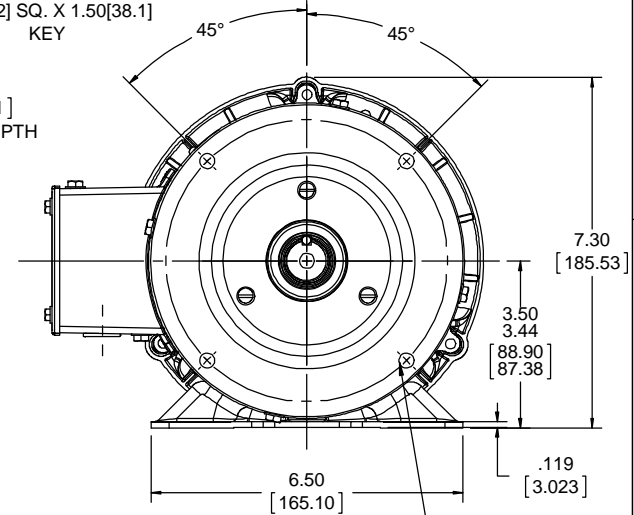
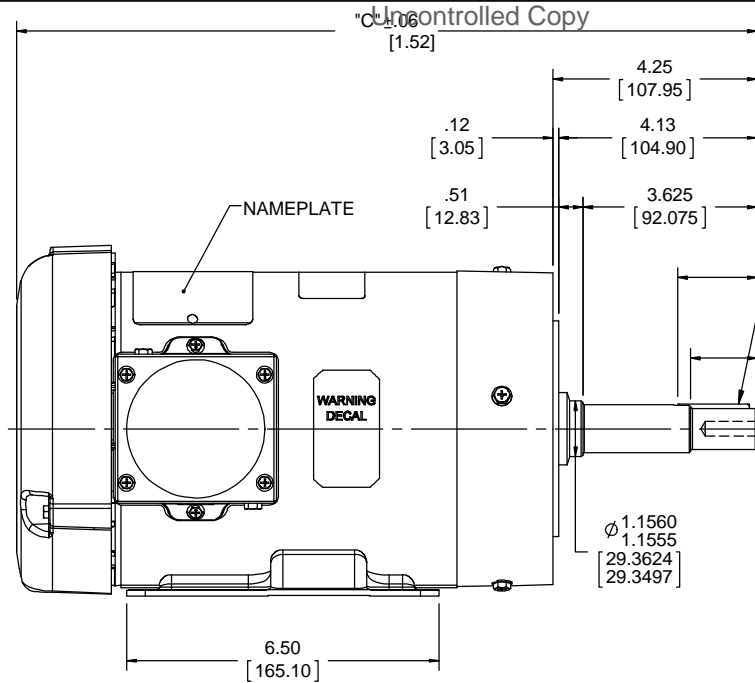
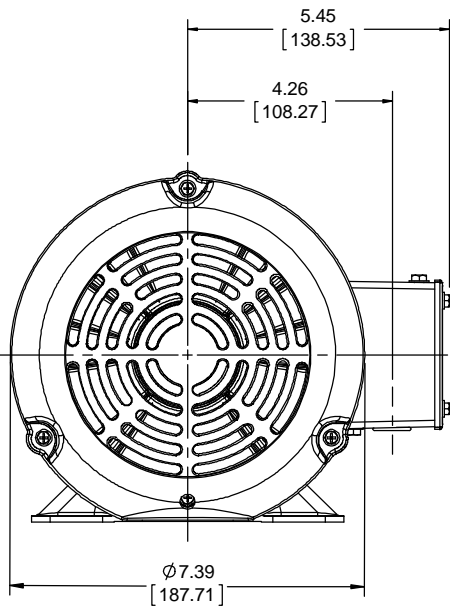


### Nameplate Specifications

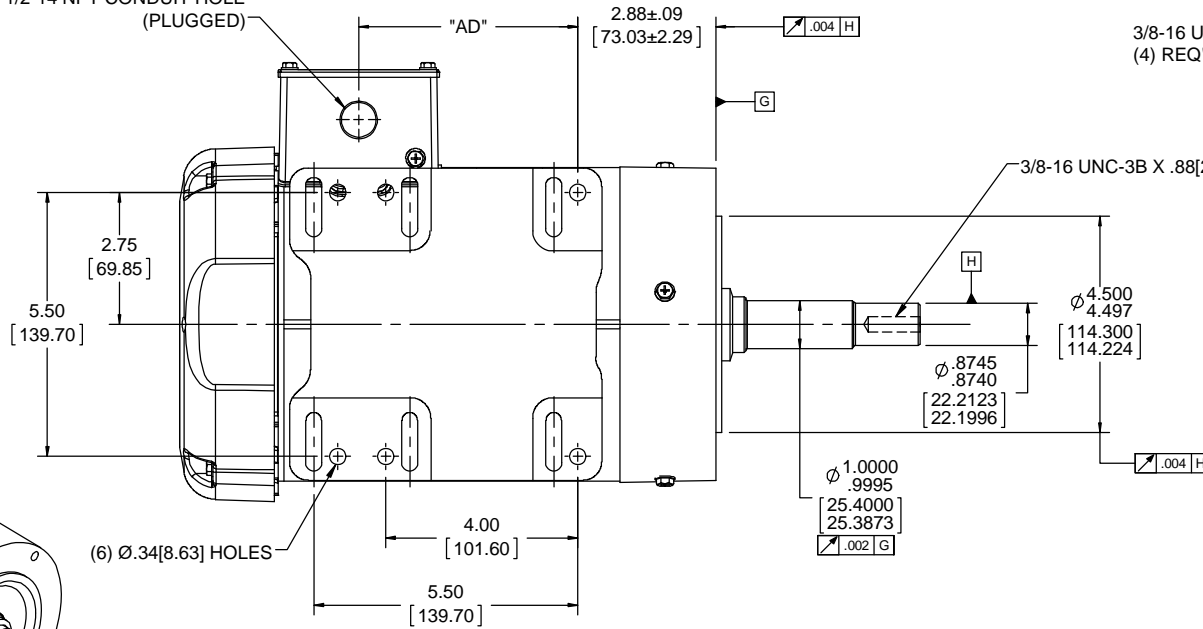
Output HP	1.50 Hp	Output KW	1.1 kW
Frequency	60 Hz	Voltage	208-230/460 V
Current	4.4-4.0/2.0 A	Speed	3490 rpm
Service Factor	1.15	Phase	3
Efficiency	84 %	Power Factor	82
Duty	Continuous	Insulation Class	F
Design Code	B	KVA Code	M
Frame	143JM	Enclosure	Totally Enclosed Fan Cooled
Thermal Protection	Thermostats (N/C)	Ambient Temperature	40 °C
Drive End Bearing Size	6206	Opp Drive End Bearing Size	6203
UL	Recognized	CSA	Y
CE	Y	IP Code	55
Number of Speeds	1		

### Technical Specifications

Electrical Type	Squirrel Cage Induction Run	Starting Method	Across The Line
Poles	2	Rotation	Reversible
Resistance Main	8.5 Ohms	Mounting	Rigid Base
Motor Orientation	Horizontal	Drive End Bearing	Ball
Opp Drive End Bearing	Ball	Frame Material	Rolled Steel
Shaft Type	JM	Overall Length	15.43 in
Frame Length	7.00 in	Shaft Diameter	0.875 in
Shaft Extension	4.28 in	Assembly/Box Mounting	F1 ONLY
Connection Drawing	005010.20	Outline Drawing	607-0333-700

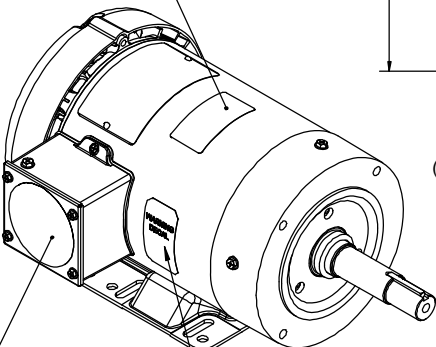


(1) 1/2-14 NPT CONDUIT HOLE (PLUGGED)



3/8-16 UNC-2B X .56 [14.22] DEEP  
(4) REQ'D. ON A Ø5.875 [149.22] B.C.

DRAIN HOLE DECAL



WASHGUARD DECAL  
WARNING DECAL

### WASHGUARD MOTOR

- SPECIAL FEATURES:
1. SHAFT SEALS & V-RING.
  2. PLUGGED DRAIN HOLES IN ENDBELLS & CONDUIT BOX.
  3. BUNA-N GASKETS THROUGHOUT.
  4. STAINLESS STEEL SHAFT, HARDWARE & NAMEPLATE.

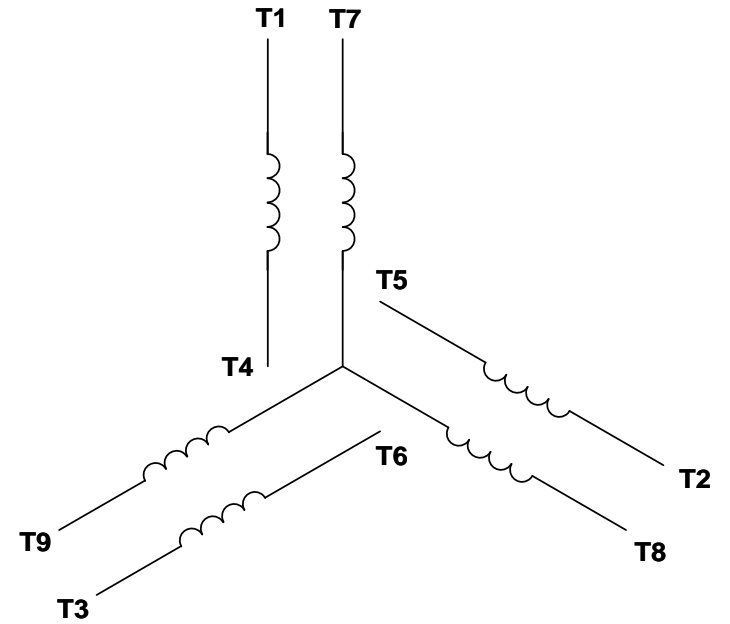
DASH NO.	"C"	"AD"
700	15.43[391.92]	4.57[116.07]
750	15.93[404.62]	5.07[128.77]
800	16.43[417.32]	5.57[141.47]

DRAWING REVISION	REVISION BY	DATE	TOLERANCES UNLESS OTHERWISE SPECIFIED:	DRAWN BY	DATE	DESCRIPTION
A			DEC. INCH mm ANGLE	A. KEETHA	01/18/2018	REGAL™ Regal Beloit America, Inc.
ECO-0140840			.X ±0.1 [2.5] ±0.5°		PK	OUTLINE
ECO DESCRIPTION			.XX ±0.03 [0.76]			140JM FRAME TEFC-RIGID "C"
			.XXX ±0.005 [0.127]			
			.XXXX ±0.0005 [±0.0127]			
OUTLINE CONVERSION PROJECT			REMOVE BURRS & BREAK SHARP EDGES: .0031 [0.0787] X 45° CORNER FILLETS: R.02 [51]			
COPYRIGHT REGAL BELOIT AMERICA, INC. ALL RIGHTS RESERVED.			MACHINED SURFACES: 125 / 3.2 INCH/ mm SHOWN IN [BRACKETS]			
PROPRIETARY AND CONFIDENTIAL INFORMATION. THIS DOCUMENT IS THE PROPERTY OF REGAL BELOIT AMERICA, INC. OWNERS AND CONTAINS OWNERS PROPRIETARY INFORMATION. ANY PERSON, CORPORATION OR OTHER FIRM RECEIVING IT IS DEMAND BY RECEIVING IT, TO AGREE THAT IT, AND/OR ANY PART OF IT, SHALL NOT BE DISCLOSED TO ANY PERSON, CORPORATION OR OTHER ENTITY, DUPLICATED, AND/OR USED, EXCEPT AS EXPRESSLY APPROVED IN WRITING IN ADVANCE BY OWNER. THIS DOCUMENT SHALL BE RETURNED TO OWNER UPON REQUEST. IT MAY BE SUBJECT TO CERTAIN RESTRICTIONS UNDER APPLICABLE EXPORT CONTROL LAWS AND REGULATIONS.			THIRD ANGLE PROJECTION			
			SIZE		DRAWING NUMBER	
			C		607-0333	
			SHEET		1 OF 1	

VIEW FROM OUTSIDE OF MOTOR AT SWITCH END. Uncontrolled Copy



LINE LEADS



VOLTAGE	L1	L2	L3	JOIN & INSULATE
HIGH	T1	T2	T3	(T4,T7) (T5,T8) (T6,T9)
LOW	T1,T7	T2,T8	T3,T9	T4,T5,T6

DRAWING REVISION **G** REVISION BY **MVG** DATE **04/05/2017**

ECO **ECO-0121253** APPROVED BY **SM** DATE **04/05/2017**

ECO DESCRIPTION  
**ADDED P1 & P2 FOR TSTAT**

COPYRIGHT REGAL BELOIT AMERICA, INC. ALL RIGHTS RESERVED.  
PROPRIETARY AND CONFIDENTIAL INFORMATION - THIS DOCUMENT IS THE PROPERTY OF  
REGAL BELOIT AMERICA, INC. ("OWNER") AND CONTAINS OWNER'S PROPRIETARY  
INFORMATION. ANY PERSON, CORPORATION OR OTHER FIRM RECEIVING IT IS DEEMED,  
BY RECEIVING IT, TO AGREE THAT IT, AND/OR ANY PART OF IT, SHALL NOT BE DISCLOSED  
TO ANY PERSON, CORPORATION OR OTHER ENTITY, DUPLICATED, AND/OR USED, EXCEPT  
AS EXPRESSLY APPROVED IN WRITING IN ADVANCE BY OWNER. THIS DOCUMENT SHALL  
BE RETURNED TO OWNER UPON REQUEST. IT MAY BE SUBJECT TO CERTAIN  
RESTRICTIONS UNDER APPLICABLE EXPORT CONTROL LAWS AND REGULATIONS.

TOLERANCES UNLESS OTHERWISE SPECIFIED:

DEC.	INCH	mm	ANGLE
.X	±0.1	[±2.5]	±0.5°
.XX	±0.01	[±0.25]	
.XXX	±0.005	[±0.127]	
.XXXX	±0.0005	[±0.0127]	

**REMOVE BURRS & BREAK SHARP EDGES: .003/.015 [.076/.381] X 45°**  
**CORNER FILLETS: R.02 [.51]**  
**MACHINED SURFACES: 125/3.2 INCH/mm**  
**mm SHOWN IN [BRACKETS]**

DRAWN BY **DBT 12/16/97**

DATE

APPROVED BY **KH 12/17/97**

DATE

REFERENCE

THIRD ANGLE PROJECTION

**REGAL**™ Regal Beloit America, Inc.

DESCRIPTION  
**CONN DIAGRAM-EXTERNAL**  
**3 PHASE WITH PROTECTOR**

MATERIAL **DECAL - 004014 (TSTAT) - 080582** PROCESS/FINISH **STOCK**

SIZE **A** DRAWING NUMBER **00501020** SHEET **1 OF 1**

Data Sheet

Date: 1/31/2018

122188.00



Data @ 460 V

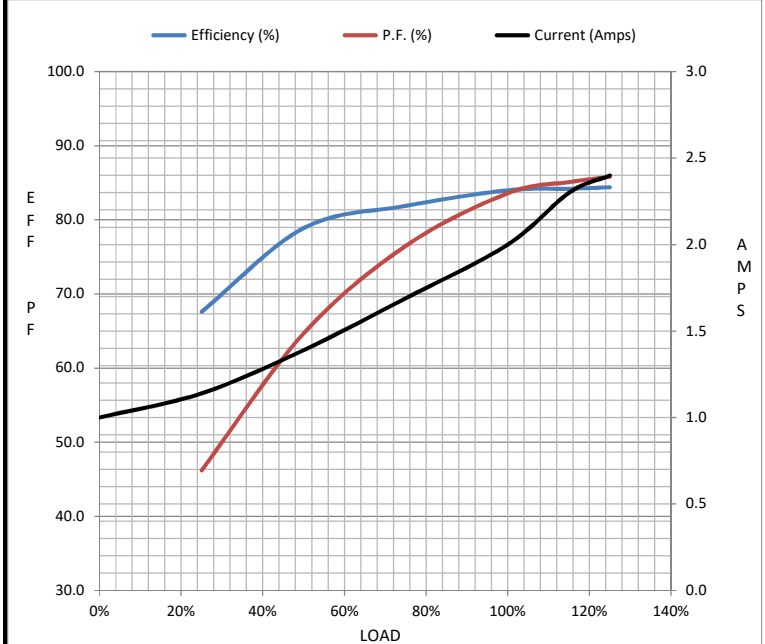
Motor Load Data

Load	0%	25%	50%	75%	100%	115%	125%	LR
Current (Amps)	1.00	1.14	1.39	1.69	2.00	2.30	2.40	20.1
Torque (ft-lb)	0.00	0.56	1.12	1.68	2.25	2.65	2.80	8.9
RPM	3600	3570	3549	3535	3500	3,488	3480	0
Efficiency (%)		67.6	78.9	81.9	84.0	84.2	84.4	
P.F. (%)	12.6	46.2	64.7	76.5	83.6	85.1	85.8	0.0

Motor Speed Data

	LR	Pull-Up	BD	Rated	Idle
Speed (RPM)	0	220	2200	3500	3600
Current (Amps)	20.1	18.5	16.0	2.00	1.00
Torque (ft-lb)	8.9	8.6	10.7	2.25	0.00

Information Block				
HP	1.5			
Sync. RPM	3600			
Frame	140			
Enclosure	TEFC			
Construction	TFR			
Voltage	208-230/460 V			
Frequency	60 Hz			
Design	A			
LR Code letter	M			
Service Factor	1.15			
Temp Rise @ FL	50 °C			
Duty	CONT			
Ambient	40 °C			
Elevation	1,000 feet			
Rotor/Shaft wk <sup>2</sup>	0.06 Lb-Ft <sup>2</sup>			
Ref Wdg	T632173 FR			
Sound Pressure @ 1M	0 dBA			
VFD Rating	NONE			
Outline Dwg	607-0013-700			
Conn. Diag	005010.20			
Additional Specifications:				
0				
0				
EQUIV CKT (OHMS / PHASE)				
R1	R2	X1	X2	Xm
0.0000	0.0000	0.0000	0.0000	0.0000



Speed - Torque Curve

