

# PRODUCT INFORMATION PACKET

Model No: 108455.00  
Catalog No: 108455.00  
Metric Motor, 24 V, 1800 RPM, 80 Frame, IP54



Regal and are trademarks of Regal Rexnord Corporation or one of its affiliated companies.  
©2022 Regal Rexnord Corporation, All Rights Reserved. MC017097E

**Nameplate Specifications**

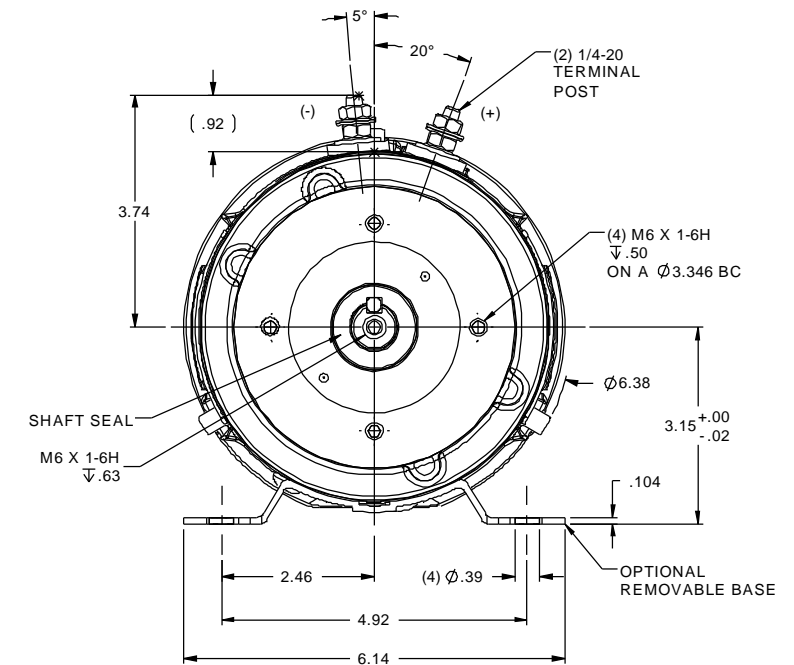
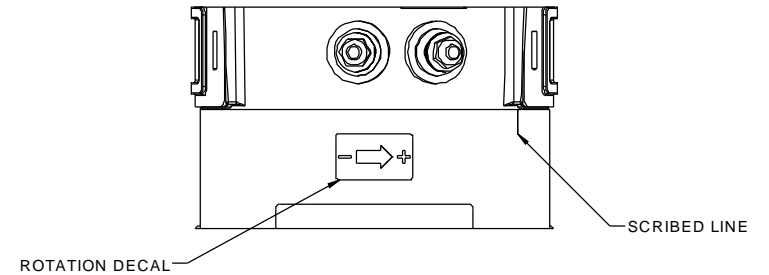
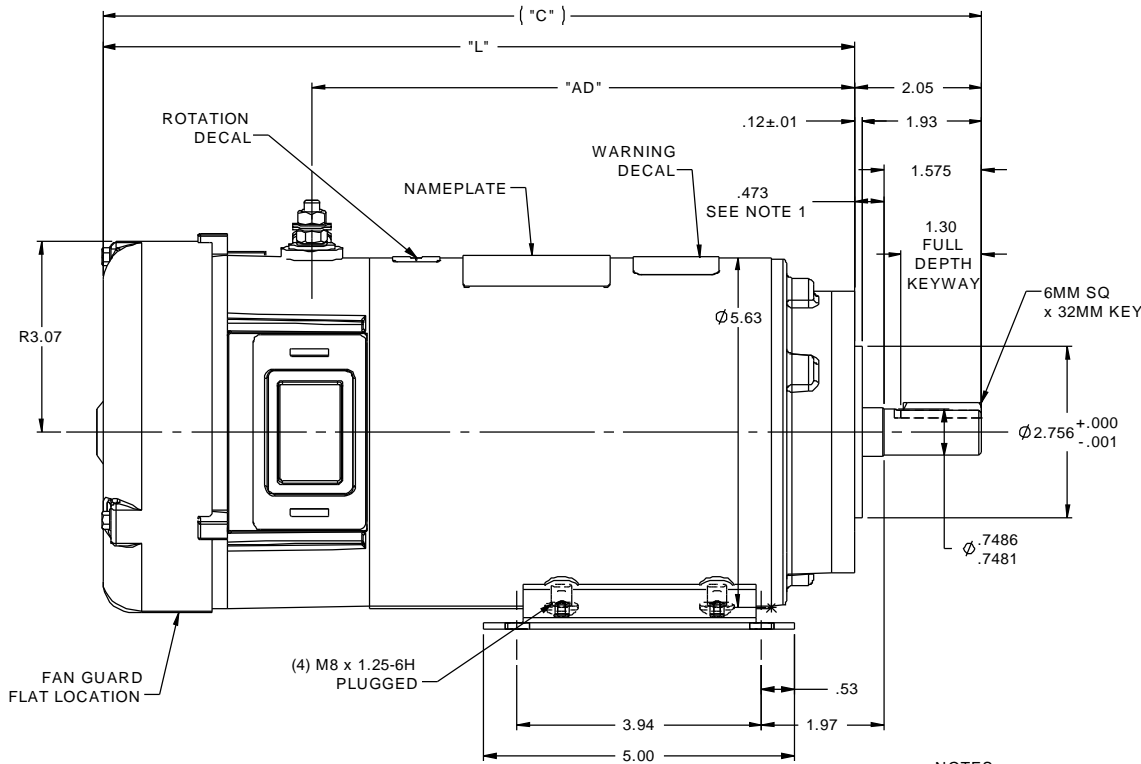
Output KW	<b>0.75 kW</b>	Voltage	<b>24 V</b>
Current	<b>39.0 A</b>	Speed	<b>1800 rpm</b>
Service Factor	<b>1</b>	Efficiency	<b>81.3 %</b>
Duty	<b>S1</b>	Insulation Class	<b>F</b>
Frame	<b>80</b>	Enclosure	<b>IP54</b>
Thermal Protection	<b>No Protection</b>	Ambient Temperature	<b>40 °C</b>
Drive End Bearing Size	<b>6204</b>	Opp Drive End Bearing Size	<b>6203</b>
UL	<b>Recognized</b>	CSA	<b>Y</b>
CE	<b>N</b>		

**Technical Specifications**

Rotation	<b>Reversible</b>	Mounting	<b>Special</b>
Overall Length	<b>14.15 in</b>	Frame Length	<b>6.47 in</b>
Shaft Diameter	<b>0.750 in</b>	Shaft Extension	<b>2.05 in</b>
Torque	<b>35 LB-IN</b>		
Connection Drawing	<b>00531901</b>	Outline Drawing	<b>031910-108455</b>

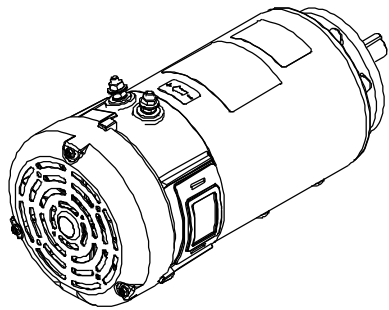
This is an uncontrolled document once printed or downloaded and is subject to change without notice. Date Created:09/19/2022

RBC PROPRIETARY AND CONFIDENTIAL INFORMATION  
 This document is the property of REGAL BELOIT CORPORATION ("RBC") including its subsidiaries and divisions and contains proprietary information of RBC. This document is loaned on the express condition that neither the information contained therein shall be disclosed to others without the express written consent of RBC, and that the information shall be used by the recipient only as approved expressly by RBC. This document shall be returned to RBC upon its request. This document may be subject to certain restrictions under U.S. export control laws and regulations.



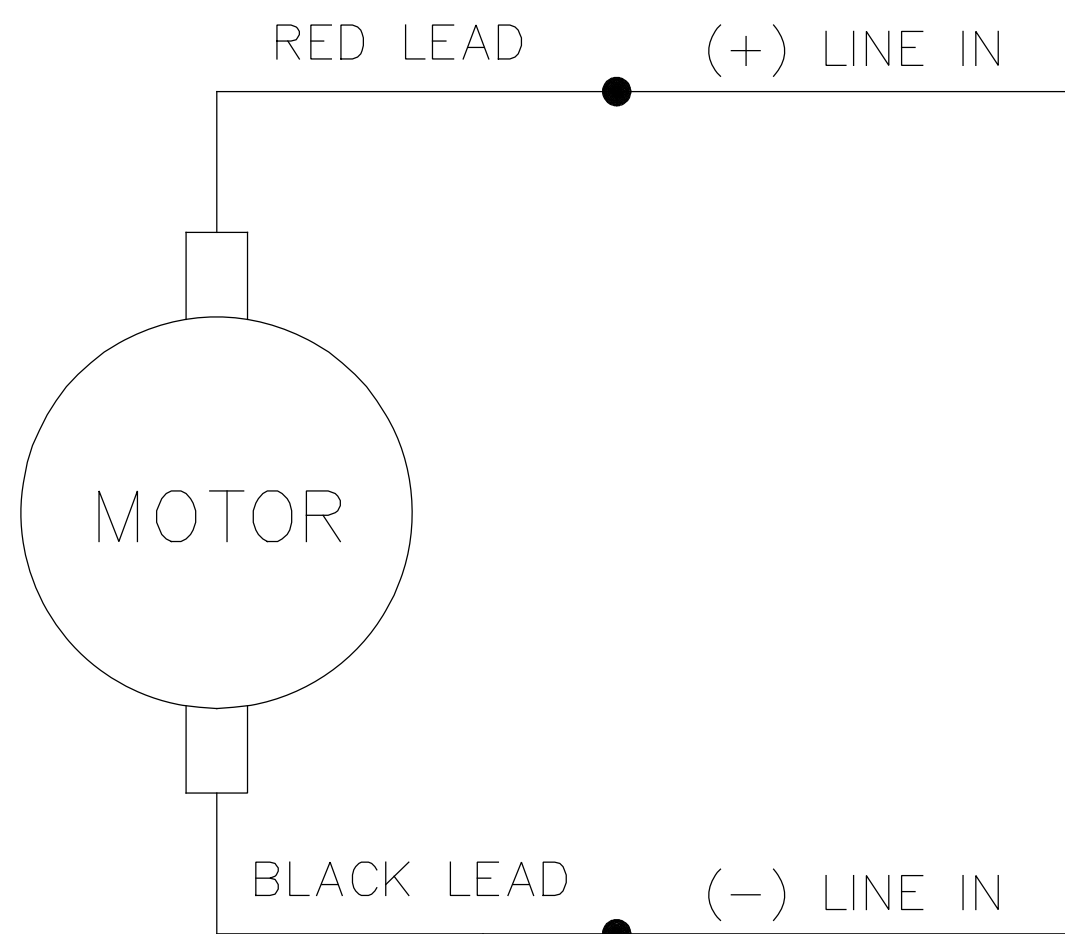
- NOTES:  
 1) DIMENSION IS SPACE PROVIDED FOR A BOLT-ON B5 OR B14 ADAPTER KIT FOR THE IEC 80 FRAME.  
 2) MAXIMUM FACE RUNOUT TO BE .004 T.I.R.  
 3) MAXIMUM PILOT ECCENTRICITY .004 T.I.R.  
 4) PERMISSIBLE SHAFT RUNOUT .002 T.I.R.  
 5) GASKETS THROUGHOUT.

108456.00	13.65	11.60	8.24	24	.75	3000
108455.00	14.15	12.10	8.74	24	.75	1800
CATALOG No.	"C"	"L"	"AD"	VOLTS	K.W.	RPM




			TOLERANCES UNLESS SPECIFIED		<b>LEESON</b> ELECTRIC MOTORS GEARMOTORS AND DRIVES		DRAWN IPG 1/28/09	
			DEC	INCHES			CHK SK 1/28/09	
01	ADDED NOTE ABOUT FAN GUARD FLAT LOCATION, ISAAC	IPG 12/10/2009	XX	±.03	TITLE OUTLINE		SCALE 1:2	
	09-4813		XXX	±.005	48 FRAME DC - IEC 80		REF 031065	
	RELEASED: REF. 031065 & 031898	IPG 1/28/2009	SK	XXXX ±.0005	MAT'L		FMF 108455.75	
NO	REVISION	BY & DATE	CHK	ANG ±1/2°	FINISH		PAGE OF	
			RFP		PREV		SIZE B	DRAWING NO 031910
			THIRD ANGLE PROJECTION		NETWORK FILE NAME		REV 01	

005319.01



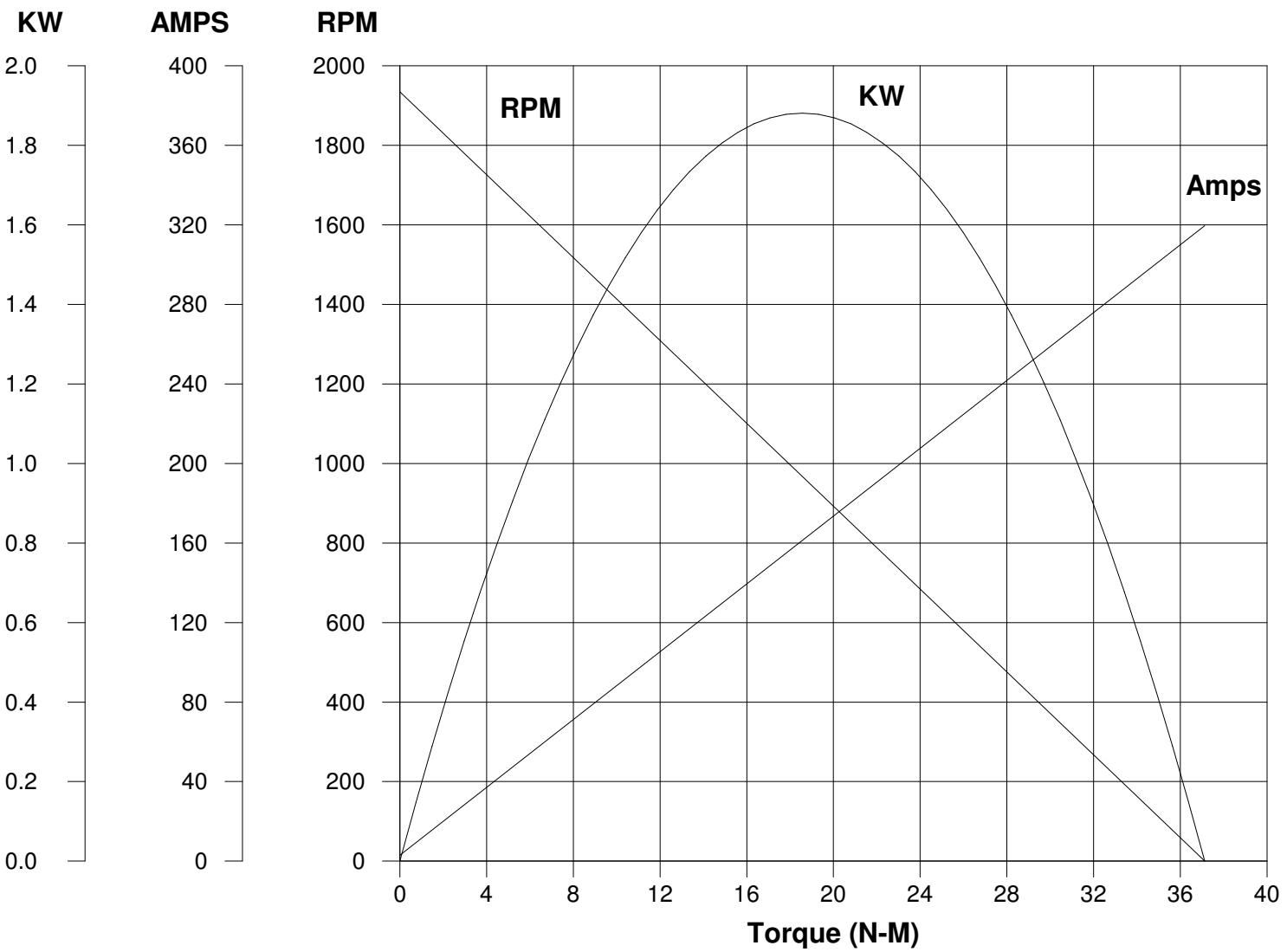
CONNECTIONS SHOWN FOR CCW ROTATION FACING LEAD END OF THE MOTOR  
TO REVERSE ROTATION INTERCHANGE LINE LEADS

NO.	REVISION	BY & DATE	CHK	TOLERANCES UNLESS SPECIFIED		FINISH	DRAWING NO.	REV.	
				DEC.	INCHES				
				.X	±.1	 ELECTRIC MOTORS GEARMOTORS AND DRIVES	DRAWN T J F 11/15/97		
				.XXX	±.005			CHK	
E	"MOTOR" WAS "ARMATURE", ECO-0163602	IPG 3/14/19		.XX	±.01	TITLE EXTERNAL WIRING DIAGRAM PMDC MOTOR	APPD POW 11/15/97	SCALE 1=2	
D	UPDATED TO MAKE IT GENERIC, ECO-0163547	IPG 3/13/19		.XXX	±.005			REF	
01	REDRAWN ON CAD. REVISED NOTES.	SJB 9/20/2005		.XXXX	±.0005	MAT'L.		FMF	
				ANG	±1/2°			PREV	
THIS DRAWING IN DESIGN AND DETAIL IS OUR PROPERTY AND MUST NOT BE USED EXCEPT IN CONNECTION WITH OUR WORK ALL RIGHTS OF DESIGN AND INVENTION ARE RESERVED THIS IS AN ELECTRONICALLY GENERATED DOCUMENT - DO NOT SCALE THIS PRINT				RFP	CAD FILE 00531901		SIZE A	DRAWING NO. 005319.01	REV. E
				DIST					

# LEESON ELECTRIC CORPORATION

## TYPICAL PERFORMANCE CURVE FOR DIRECT CURRENT PERMANENT MAGNET MOTOR

**Model No.** CI4D17FT6                      **Catalog No.** 108455.00  
**KW** 0.750                      **RPM** 1800                      **DC Volts** 24.0                      **N.P. FLA** 39.00  
**F.F.** 1.00                      **Encl** IP44                      **Type** 80-14                      **S.F.** 1.00  
**Max. Amb.** 40.0 Deg C                      **Insul.** F                      **Frame** 80D                      **Duty** S1



<b>Ra</b> <u>0.05000</u> Ohms <b>La</b> <u>1.800</u> mHenrys <b>Ja</b> <u>32.78</u> KG-CM^2 <b>Ke</b> <u>12.28</u> V/KRPM	<b>Kt</b> <u>0.1173</u> N-M/AMP <b>Imax</b> <u>330.0</u> AMPS Allowed <b>FL Torque</b> <u>3.954</u> N-M <b>FL EFF</b> <u>81.30</u> %
--	---

**Winding W-** D56213-1                      **Prepared by** S. Bernhardt                      **Date** 05-19-2009