

# PRODUCT INFORMATION PACKET



Model No: LM34063

Catalog No: LM34063

4A1 (G086B) once inventory depleted - .3/4HP..1800RPM.56H.ODP.575V.3PH.60HZ.CONT.40C.1.25S.F..RIGID.....GE

Special Voltage Motors



Regal and Leeson are trademarks of Regal Rexnord Corporation or one of its affiliated companies.

©2021 Regal Rexnord Corporation, All Rights Reserved. MC017097E





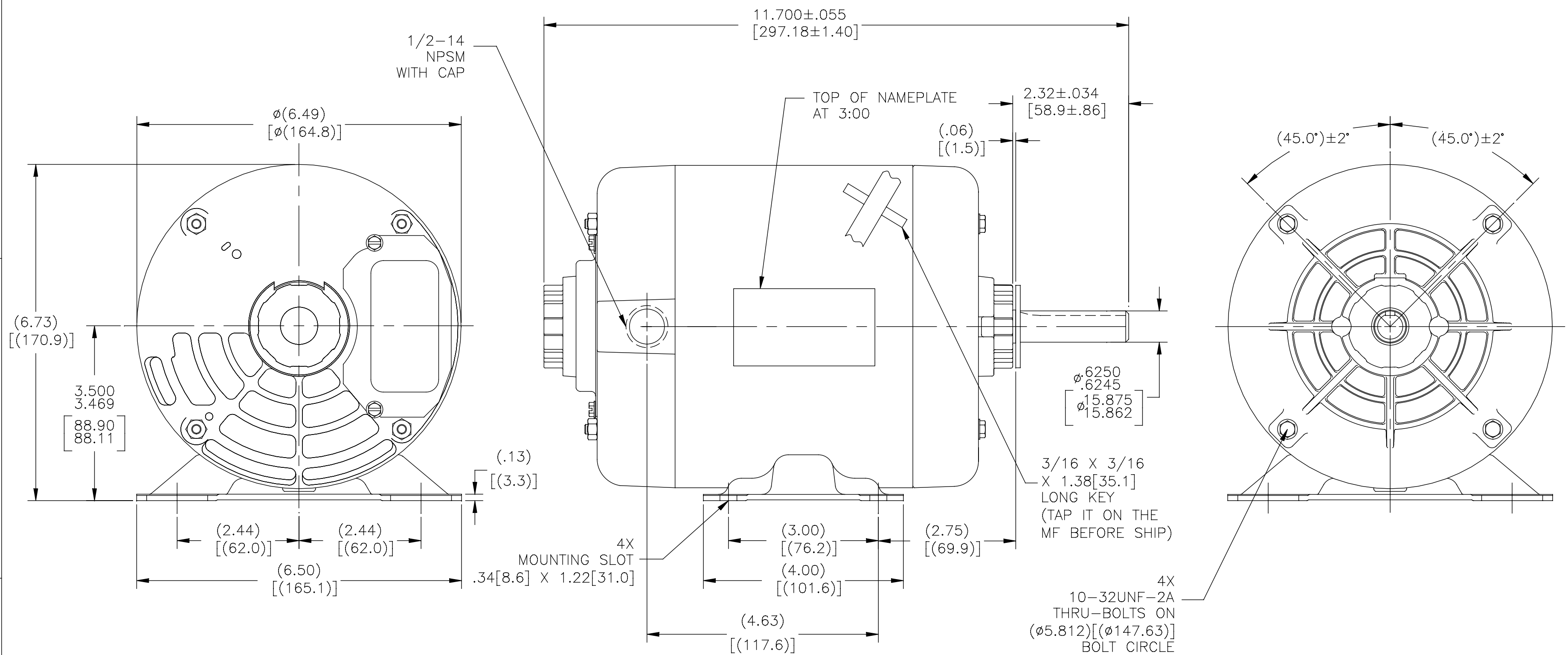
### Nameplate Specifications

Output HP	<b>0.75 Hp</b>	Output KW	<b>0.56 kW</b>
Frequency	<b>60 Hz</b>	Voltage	<b>575 V</b>
Current	<b>2.9 A</b>	Speed	<b>1725 rpm</b>
Service Factor	<b>1.15</b>	Phase	<b>3</b>
Efficiency	<b>81.1 %</b>	Power Factor	<b>56.9</b>
Duty	<b>Continuous</b>	Insulation Class	<b>F</b>
Design Code	<b>B</b>	KVA Code	<b>LATE</b>
Frame	<b>56</b>	Enclosure	<b>Drip Proof</b>
Thermal Protection	<b>No</b>	Ambient Temperature	<b>40 °C</b>
Drive End Bearing Size	<b>6203</b>	Opp Drive End Bearing Size	<b>6203</b>
UL	<b>Recognized</b>	CSA	<b>Y</b>
CE	<b>Y</b>	IP Code	<b>22</b>
Number of Speeds	<b>1</b>		

### Technical Specifications

Electrical Type	<b>Squirrel Cage Inverter Rated</b>	Starting Method	<b>Line Or Inverter</b>
Poles	<b>4</b>	Rotation	<b>Reversible</b>
Resistance Main	<b>0 Ohms</b>	Mounting	<b>Rigid Base</b>
Motor Orientation	<b>Horizontal</b>	Drive End Bearing	<b>Ball</b>
Opp Drive End Bearing	<b>Ball</b>	Frame Material	<b>Rolled Steel</b>
Shaft Type	<b>NEMA 56</b>	Overall Length	<b>11.70 in</b>
Frame Length	<b>6.00 in</b>	Shaft Diameter	<b>0.625 in</b>
Shaft Extension	<b>1.88 in</b>	Assembly/Box Mounting	<b>F1 ONLY</b>
Connection Drawing	<b>D0000527-001</b>	Outline Drawing	<b>LM34063-S01</b>

NOTE:  
ALL DIMENSIONS SHOWN IN PARENTHESIS ARE REFERENCE DIMENSIONS.



DRAWING REVISION B	REVISION BY X.AN	DATE 06-26-2015	TOLERANCES UNLESS OTHERWISE SPECIFIED DEC. INCH mm ANGLE .XX ±0.1 [±2.5] ±0.5° .XXX ±0.02 [±0.51] .XXXX ±0.005 [±0.127] .XXXXX ±0.0005 [±0.0127]	DRAWN BY: Y.LIU	<b>Regal Beloit America, Inc.</b>		
ECO ECO-0079651	APPROVED BY H.ZHANG	DATE 06-26-2015	REMOVE BURRS & BREAK SHARP EDGES .003/.015 [0.076/.381] CORNER FILLETS .02 [0.51] MACHINED SURFACES 125/INCH 3.2/mm SHOWN IN [BRACKETS]	DATE: 12-04-2014		DESCRIPTION MODEL-CFHP-56FR OUTLINE	
ECO DESCRIPTION SEE ECO	COPYRIGHT REGAL BELOIT AMERICA, INC. ALL RIGHTS RESERVED. PROPRIETARY AND CONFIDENTIAL INFORMATION - THIS DOCUMENT IS THE PROPERTY OF REGAL BELOIT AMERICA, INC. (OWNERS) AND CONTAINS OWNERS PROPRIETARY INFORMATION. ANY PERSON, CORPORATION OR OTHER FIRM RECEIVING IT IS DEEMED, BY RECEIVING IT, TO AGREE THAT IT, AND/OR ANY PART OF IT, SHALL NOT BE DISCLOSED TO ANY PERSON, CORPORATION OR OTHER ENTITY, DUPLICATED, AND/OR USED, EXCEPT AS EXPRESSLY APPROVED IN WRITING IN ADVANCE BY OWNER. THIS DOCUMENT SHALL BE RETURNED TO OWNER UPON REQUEST. IT MAY BE SUBJECT TO CERTAIN RESTRICTIONS UNDER APPLICABLE EXPORT CONTROL LAWS AND REGULATIONS.			APPROVED BY: B.SHEN	MATERIAL -	PROCESS/FINISH -	
				DATE: 12-04-2014	THIRD ANGLE PROJECTION	SIZE DWG NO C LM34063	SHEET 1

4

3

2

1

D

D

C

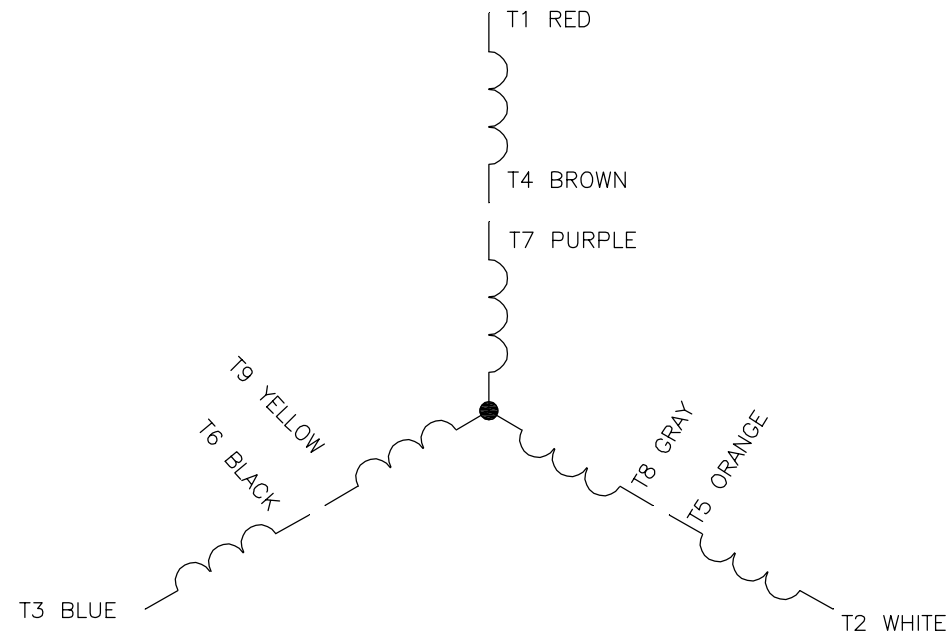
C

B

B

A

A



CONNECT AS FOLLOWS

HIGH VOLTAGE

- T1 - RED - LINE A
- T2 - WHITE - LINE B
- T3 - BLUE - LINE C
- T4 - BROWN -> TIE TOGETHER
- T7 - PURPLE -> TIE TOGETHER
- T5 - ORANGE -> TIE TOGETHER
- T8 - GRAY -> TIE TOGETHER
- T6 - BLACK -> TIE TOGETHER
- T9 - YELLOW -> TIE TOGETHER

LOW VOLTAGE

- T1 - RED -> LINE A
- T7 - PURPLE -> LINE A
- T2 - WHITE -> LINE B
- T8 - GRAY -> LINE B
- T3 - BLUE -> LINE C
- T9 - YELLOW -> LINE C
- T5 - ORANGE -> TIE TOGETHER
- T6 - BLACK -> TIE TOGETHER
- T4 - BROWN -> TIE TOGETHER

CCW ROTATION; TO REVERSE ROTATION FOR EITHER VOLTAGE INTERCHANGE ANY TWO LINE LEADS

NOTES:

1. LEADS MAY BE MULTICOLORED AS SHOWN FOR GROUP -01 OR SINGLE COLOR FOR GROUP -02. IN EITHER CASE THE NUMBERING SEQUENCE WILL BE THE SAME.

DRAWING REVISION A	REVISION BY R.RASCON	DATE 06-12-2014	TOLERANCES UNLESS OTHERWISE SPECIFIED DEC. INCH mm ANGLE .X ±0.1 [±2.5] ±0.5° .XX ±0.02 [±0.51] .XXX ±0.005 [±0.127] .XXXX ±0.0005 [±0.0127]	DRAWN BY: R.RASCON	Regal Beloit America, Inc.	
ECD 0053303	APPROVED BY	DATE	REMOVE BURRS & BREAK SHARP EDGES .003/.015 [0.076/.381] CORNER FILLETS .02 [1.51] MACHINED SURFACES $\frac{125}{\text{INCH}} \sqrt{\text{mm}}^{3.2}$ mm SHOWN IN [BRACKETS]	DATE: 06-12-2014		DESCRIPTION CONN DIAGRAM-EXTERNAL
NEW MODEL RELEASE			PROPRIETARY AND CONFIDENTIAL INFORMATION - THIS DOCUMENT IS THE PROPERTY OF REGAL BELOIT AMERICA, INC. (OWNER) AND CONTAINS OWNER'S PROPRIETARY INFORMATION. ANY PERSON, CORPORATION OR OTHER FIRM RECEIVING IT IS DEEMED, BY RECEIVING IT, TO AGREE THAT IT, AND/OR ANY PART OF IT, SHALL NOT BE DISCLOSED TO ANY PERSON, CORPORATION OR OTHER ENTITY, DUPLICATED, AND/OR USED, EXCEPT AS EXPRESSLY APPROVED IN WRITING IN ADVANCE BY OWNER. THIS DOCUMENT SHALL BE RETURNED TO OWNER UPON REQUEST. IT MAY BE SUBJECT TO CERTAIN RESTRICTIONS UNDER APPLICABLE EXPORT CONTROL LAWS AND REGULATIONS.	APPROVED BY:	MATERIAL	PROCESS/FINISH
				REFERENCE	SIZE DWG NO C D0000527-001	SHEET 1



2100 WASHINGTON ST.  
GRAFTON, WI  
PH. 262-277-8810

CERTIFICATION DATA SHEET

CONN. DIAGRAM: D0000527-001

OUTLINE: LM34063

WINDING #: SS0069282 3

CATALOG #: LM34063A

MOUNTING: F1 ONLY

TYPICAL MOTOR PERFORMANCE DATA

HP	kW	SYNC. RPM	F.L. RPM	FRAME	ENCLOSURE	KVA CODE	DESIGN
3/4	0.56	1800	1725	56	DP	LATER	B

PH	Hz	VOLTS	AMPS	START TYPE	DUTY	INSL	S.F.	AMB°C
3	60	575	2.9	LINE OR INVERTER	CONTINUOUS	F3	1.15	40

FULL LOAD EFF:	81.1	3/4 LOAD EFF:	77.5	1/2 LOAD EFF:	71	GTD. EFF		ELEC. TYPE	
FULL LOAD PF:	56.9	3/4 LOAD PF:	63.5	1/2 LOAD PF:	53	78.5		SQ CAGE INV RATED	

F.L. TORQUE	LOCKED ROTOR AMPS	L.R. TORQUE	B.D. TORQUE	F.L. RISE°C
36 OZ-FT	8.4	127 OZ-FT 0 %	179 OZ-FT 0 %	90

SOUND PRESSURE @ 3 FT.	SOUND POWER	ROTOR WK^2	MAX. WK^2	SAFE STALL TIME	STARTS / HOUR	APPROX. MOTOR WGT
0 dBA	10 dBA	0 LB-FT^2	1.5 LB-FT^2	10 SEC.	2	30 LBS.

\*\*\* SUPPLEMENTAL INFORMATION \*\*\*

DE BRACKET TYPE	ODE BRACKET TYPE	MOUNT TYPE	ORIENTATION	SEVERE DUTY	HAZARDOUS LOCATION	DRIP COVER	SCREENS	PAINT
STANDARD	STANDARD	RIGID	HORIZONTAL	FALSE	NONE	FALSE	NONE	GRAY - LINCOLN

BEARINGS		GREASE	SHAFT TYPE	SPECIAL DE	SPECIAL ODE	SHAFT MATERIAL	FRAME MATERIAL
DE	ODE						
BALL	BALL	POLYREX EM	T	NONE	NONE	AISI 1215 (MS1000)	ROLLED STEEL
6203	6203						

THERMO-PROTECTORS				THERMISTORS	CONTROL	SPACE HEATERS
THERMOSTATS	PROTECTORS	WDG RTDs	BRG RTDs			
NONE	NOT	NONE	NONE	NONE	FALSE	NONE VOLTS

\*  
N  
O  
T  
E  
S  
\*

<b>INVERTER TORQUE:</b> CONSTANT 2:1
<b>INV. HP SPEED RANGE:</b> NONE
<b>ENCODER:</b> NONE NONE NONE NONE NONE PPR
<b>BRAKE:</b> NONE NONE NONE P/N NONE NONE NONE NONE FT-LB NONE V NONE Hz



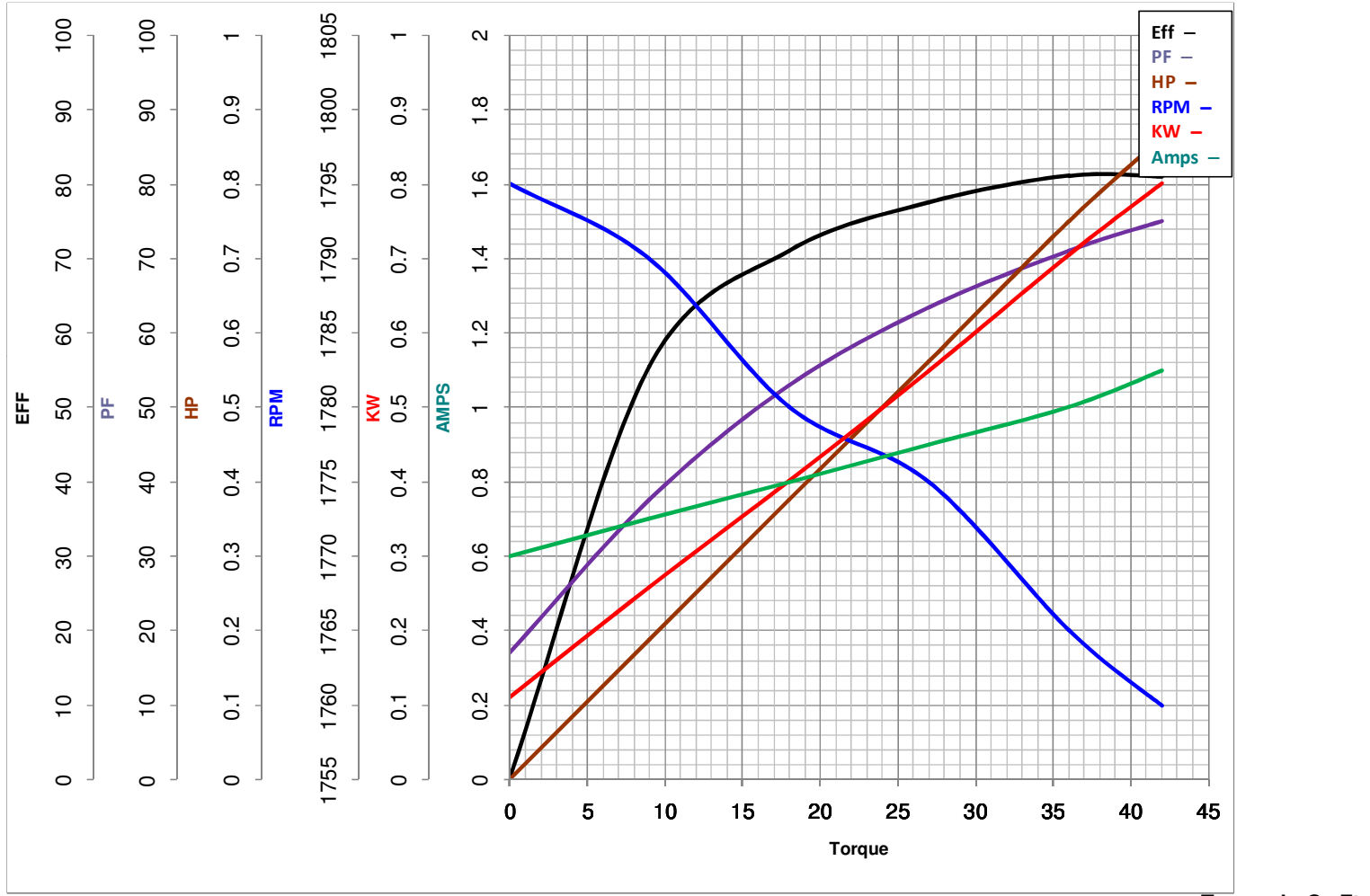
**LEESON ELECTRIC CORPORATION**  
TYPICAL PERFORMANCE CURVE for AC MOTOR

Model No LM34063

Catalog No LM34063A

Curve at 575 Volts      HP 0.75      PHASE 3  
60 HZ  
0.75 HP      VOLTS 575

HZ 60      RPM 1725



FL TORQUE	<u>36</u>	Oz.Ft	FL AMPS	<u>2.9</u>	
BD TORQUE	<u>179.0</u>	Oz.Ft	PU TORQUE	<u>114.3</u>	Oz.Ft
LR TORQUE	<u>127</u>	Oz.Ft	LR AMPS	<u>8.4</u>	
WINDING	SS0069282-		Date	4/1/2019	