

PRODUCT INFORMATION PACKET



Model No: E110434.00

Catalog No: E110434.00

ecoSaver™ General Purpose Motor, 0.50 & 0.50 HP, 3 Ph, 60 & 50 Hz, 230/460 & 190/380 V,
1200 & 1000 RPM, 56C Frame, DP



Regal and Leeson are trademarks of Regal Rexnord Corporation or one of its affiliated companies.

©2023 Regal Rexnord Corporation, All Rights Reserved. MC017097E





Nameplate Specifications

Phase	3	Output HP	0.50 & 0.50 Hp
Output KW	0.37 & 0.37 kW	Voltage	230/460 & 190/380 V
Speed	1140 & 940 rpm	Service Factor	1.15 & 1.15
Frame	56C	Enclosure	Drip Proof
Thermal Protection	Thermostat	Efficiency	75.3 & 75.3 %
Ambient Temperature	40 °C	Frequency	60 & 50 Hz
Current	2.2/1.1 & 2.4/1.2 A	Power Factor	57.9
Duty	Continuous	Insulation Class	F
Design Code	B	KVA Code	K
Drive End Bearing Size	6203	Opp Drive End Bearing Size	6203
UL	Recognized	CSA	Y
CE	Y	IP Code	22
Number of Speeds	1		

Technical Specifications

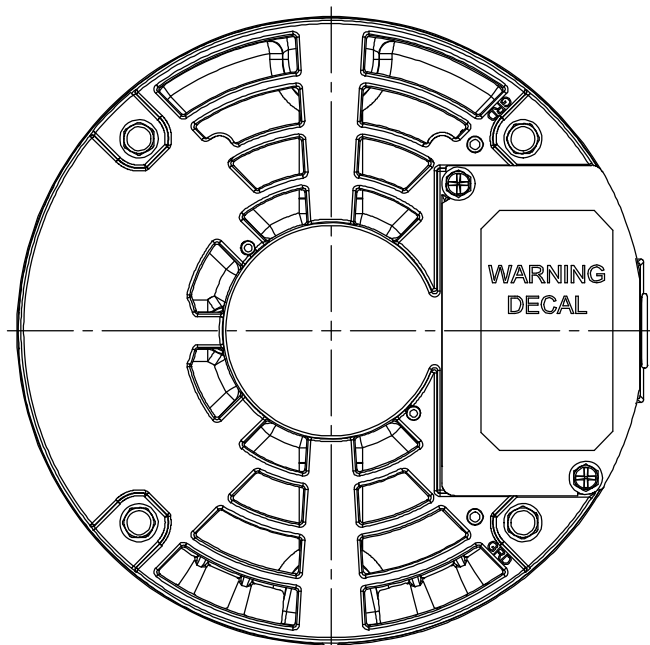
Electrical Type	Squirrel Cage Inverter Rated	Starting Method	Line Or Inverter
Poles	6	Rotation	Reversible
Resistance Main	0 Ohms	Mounting	Round
Motor Orientation	Horizontal	Drive End Bearing	Ball
Opp Drive End Bearing	Ball	Frame Material	Rolled Steel
Shaft Type	NEMA 56	Overall Length	10.87 in
Frame Length	6.00 in	Shaft Diameter	0.625 in
Shaft Extension	1.88 in	Assembly/Box Mounting	F1 ONLY
Inverter Load	CONSTANT 10:1		
Outline Drawing	607-0329-600	Connection Drawing	005010.20

B

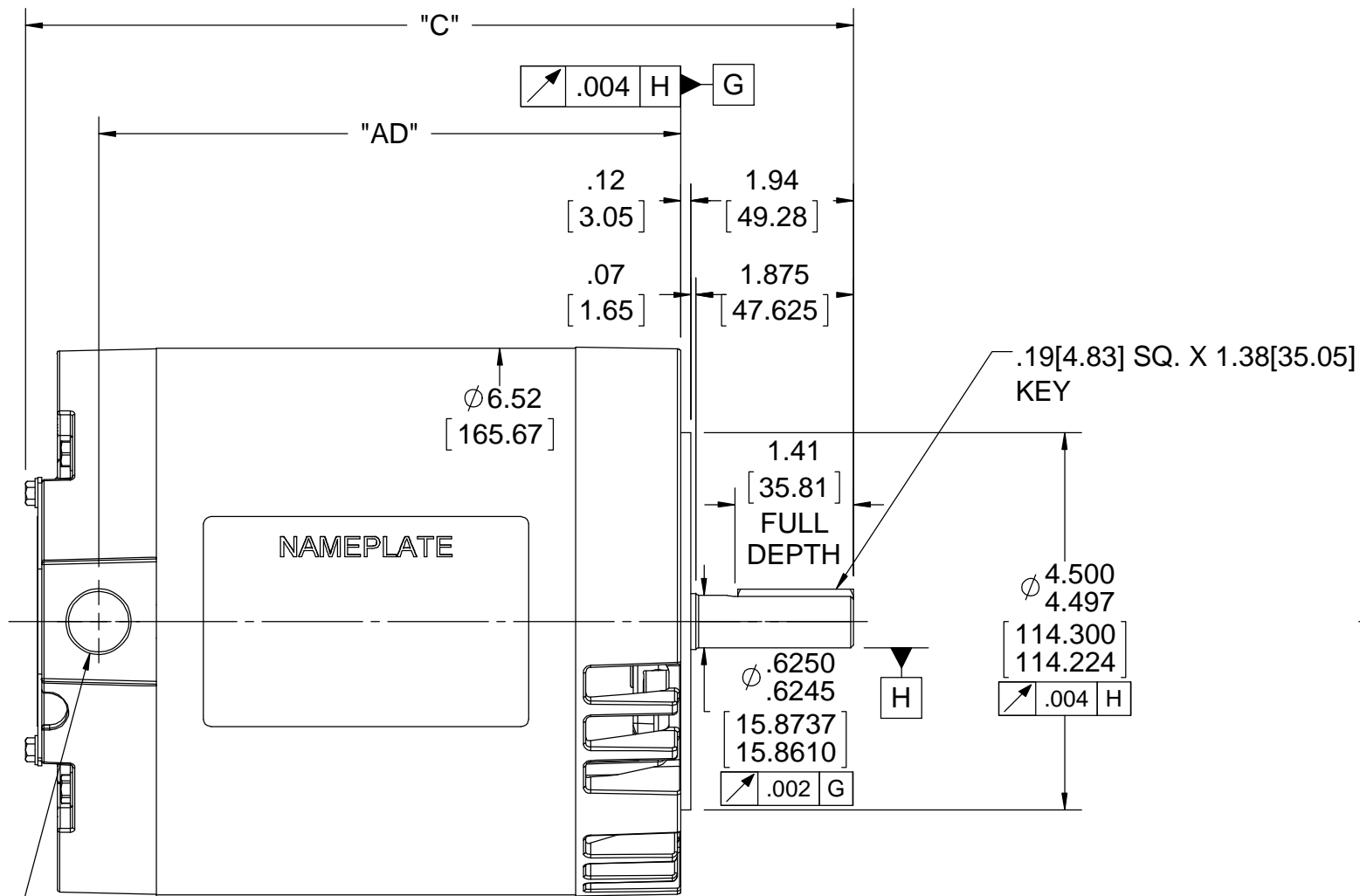
B

A

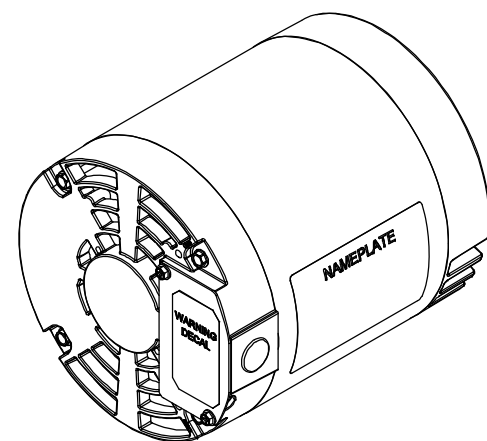
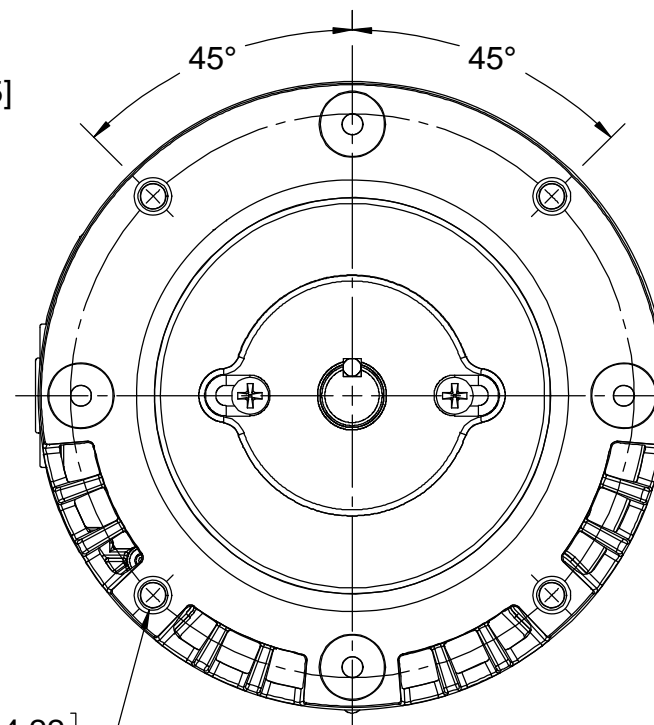
A



1/2 - 14 NPT
(PLUGGED)



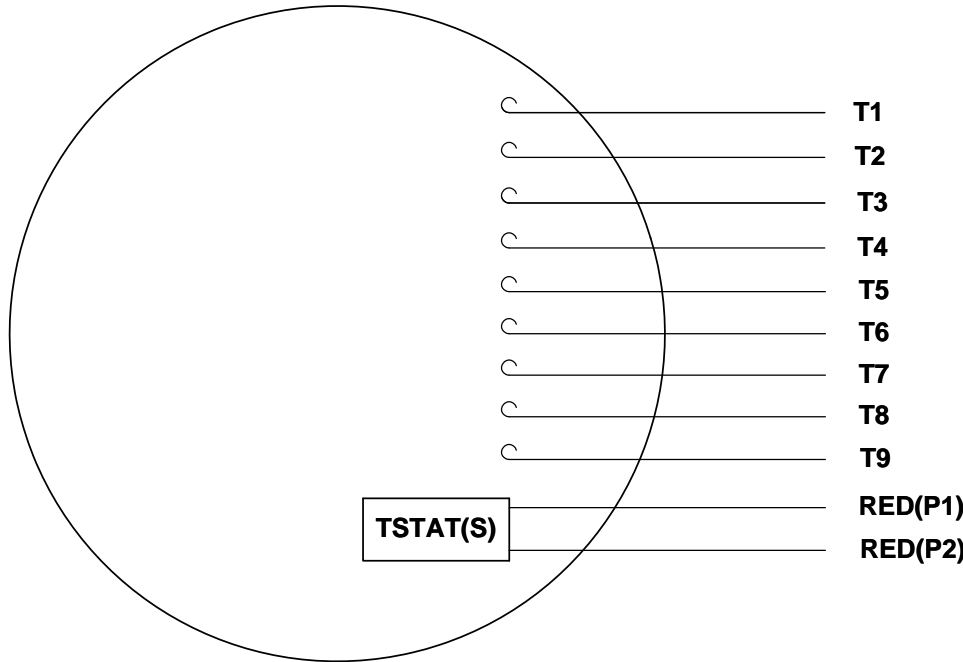
(4) 3/8-16 UNC - 2B X .56 [14.22]
DEEP ON A Ø5.875 [149.225] B.C.



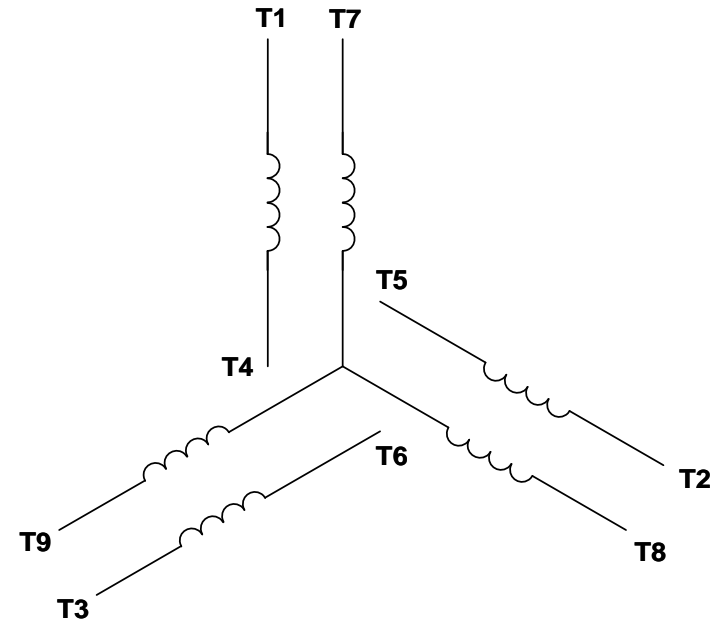
DASH NO.	"C"	"AD"
500	9.87 [250.70]	6.94 [176.28]
600	10.87 [276.10]	7.94 [201.68]

DRAWING REVISION A	REVISION BY	DATE	TOLERANCES UNLESS OTHERWISE SPECIFIED: DEC. INCH mm ANGLE .X ±0.1 [±2.5] ±7° 30" .XX ±0.03 [±0.76] .XXX ±0.005 [±0.127] .XXXX ±0.0005 [±0.0127] REMOVE BURRS & BREAK SHARP EDGES: .003/.015 [0.076/.381] X 45° CORNER FILLETS: R.02 [51] MACHINED SURFACES: 200 INCH/mm 5.1 mm SHOWN IN [BRACKETS]	DRAWN BY T AHER	Regal Beloit America, Inc.
ECO ECO-0140840	APPROVED BY	DATE		DATE 12/19/2017	
ECO DESCRIPTION OUTLINE CONVERSION PROJECT COPYRIGHT REGAL BELOIT AMERICA, INC. ALL RIGHTS RESERVED. PROPRIETARY AND CONFIDENTIAL INFORMATION - THIS DOCUMENT IS THE PROPERTY OF REGAL BELOIT AMERICA, INC. ("OWNER") AND CONTAINS OWNER'S PROPRIETARY INFORMATION. ANY PERSON, CORPORATION OR OTHER FIRM RECEIVING IT IS DEEMED, BY RECEIVING IT, TO AGREE THAT IT, AND/OR ANY PART OF IT, SHALL NOT BE DISCLOSED TO ANY PERSON, CORPORATION OR OTHER ENTITY, DUPLICATED, AND/OR USED, EXCEPT AS EXPRESSLY APPROVED IN WRITING IN ADVANCE BY OWNER. THIS DOCUMENT SHALL BE RETURNED TO OWNER UPON REQUEST. IT MAY BE SUBJECT TO CERTAIN RESTRICTIONS UNDER APPLICABLE EXPORT CONTROL LAWS AND REGULATIONS.				APPROVED BY PK	DESCRIPTION OUTLINE 56C FRAME, DRIP PROOF - "C" FACE
				DATE 03/08/2018	MATERIAL
				REFERENCE 607-0192	PROCESS/FINISH
				THIRD ANGLE PROJECTION	SIZE B
					DRAWING NUMBER 607-0329
					SHEET 1 OF 1

VIEW FROM OUTSIDE OF MOTOR AT SWITCH END. Uncontrolled Copy



LINE LEADS



VOLTAGE	L1	L2	L3	JOIN & INSULATE
HIGH	T1	T2	T3	(T4,T7) (T5,T8) (T6,T9)
LOW	T1,T7	T2,T8	T3,T9	T4,T5,T6

DRAWING REVISION **G** REVISION BY **MVG** DATE **04/05/2017**

ECO **ECO-0121253** APPROVED BY **SM** DATE **04/05/2017**

ECO DESCRIPTION
ADDED P1 & P2 FOR TSTAT

COPYRIGHT REGAL BELOIT AMERICA, INC. ALL RIGHTS RESERVED.
PROPRIETARY AND CONFIDENTIAL INFORMATION - THIS DOCUMENT IS THE PROPERTY OF
REGAL BELOIT AMERICA, INC. ("OWNER") AND CONTAINS OWNER'S PROPRIETARY
INFORMATION. ANY PERSON, CORPORATION OR OTHER FIRM RECEIVING IT IS DEEMED,
BY RECEIVING IT, TO AGREE THAT IT, AND/OR ANY PART OF IT, SHALL NOT BE DISCLOSED
TO ANY PERSON, CORPORATION OR OTHER ENTITY, DUPLICATED, AND/OR USED, EXCEPT
AS EXPRESSLY APPROVED IN WRITING IN ADVANCE BY OWNER. THIS DOCUMENT SHALL
BE RETURNED TO OWNER UPON REQUEST. IT MAY BE SUBJECT TO CERTAIN
RESTRICTIONS UNDER APPLICABLE EXPORT CONTROL LAWS AND REGULATIONS.

TOLERANCES UNLESS OTHERWISE SPECIFIED:

DEC.	INCH	mm	ANGLE
.X	±0.1	[±2.5]	±0.5°
.XX	±0.01	[±0.25]	
.XXX	±0.005	[±0.127]	
.XXXX	±0.0005	[±0.0127]	

REMOVE BURRS & BREAK SHARP EDGES: .003/.015 [.076/.381] X 45°
CORNER FILLETS: R.02 [.51]
MACHINED SURFACES: 125/3.2 INCH/mm
mm SHOWN IN [BRACKETS]

DRAWN BY **DBT 12/16/97**

DATE

APPROVED BY **KH 12/17/97**

DATE

REFERENCE

THIRD ANGLE PROJECTION

REGAL™ Regal Beloit America, Inc.

DESCRIPTION
CONN DIAGRAM-EXTERNAL
3 PHASE WITH PROTECTOR

MATERIAL **DECAL - 004014 (TSTAT) - 080582** PROCESS/FINISH **STOCK**

SIZE **A** DRAWING NUMBER **00501020** SHEET **1 OF 1**



P.O. BOX 8003
WAUSAU, WI 54401-8003
PH. 715-675-3311

DATA VOLTS: 460

CERTIFICATION DATA SHEET

CONN. DIAGRAM 005010.20
OUTLINE: 607-0192-600
WINDING: T636113

CAT #: E110434.00

DR 3

TYPICAL MOTOR PERFORMANCE DATA

HP	KW	SYNC RPM	FL RPM	FRAME	ENCLOSURE	TYPE	KVA CODE	DESIGN
0.5	0.37	1440	1153	56C	DP	NA	J	B

PH	HZ	VOLTS	AMPS	START TYPE	DUTY	INSL	S.F.	AMB	ELEV.
3	60/50	230/460#190/380	2.15/1.05&2.3/1.15	LINE OR INVERTER	CONT	F	1.15	40	3300

F.L. EFF	76.1	3/4 LD EFF	74.9	1/2 LD EFF	70.1	GTD EFF	0.0	ELECT. TYPE	SQ CAGE INV RATED
F.L. PF	57.9	3/4 LD PF	48.5	1/2 LD PF	37.7				

F.L. TORQUE	LR AMPS @ 460 V	L.R. TORQUE	B.D. TORQUE	F.L. RISE (°C)
588 LB-FT	5.0	1,399 LB-FT 238%	1,879 LB-FT 320%	29

PRESSURE @	POWER	ROTOR WK ²	MAX. LOAD WK ²	SAFE STALL TIME	STARTS/HOUR	MOTOR WGT
0 dBA	9 dBA	0.00 LB-FT ²	0 LB-FT ²	0 SEC.	0	0 LB.

*** SUPPLEMENTAL INFORMATION ***

DE BRACKET TYPE	ODE BRACKET TYPE	MOUNT TYPE	MOTOR ORIENTATION	SEVERE DUTY	HAZARDOUS LOCATION	DRIP COVER	SCREENS	PAINT
C-FACE	STANDARD	ROUND	HORIZONTAL	NO	NONE	NO	NONE	IN - LEESON WATTS

BEARINGS		GREASE	SHAFT TYPE	SPECIAL DE	SPECIAL ODE	SHAFT MATERIAL	FRAME MATERIAL
DE	ODE						
BALL	BALL	POLYREX EM	STANDARD 56	NONE	NONE	1144 STRESSPROOF (C-223)	ROLLED STEEL
6203	6203						

THERMOSTATS	PROTECTORS	WDG RTD's	BRG RTD's	THERMISTORS	CONTROL	SPACE HEATERS
TSTATS (N/C)	NOT	NONE	NONE	NONE	FALSE	NA

R1 (ohms/ph)	R2 (ohms/ph)	X1 (ohms/ph)	X2 (ohms/ph)	Xm (ohms/ph)	VIBRATION (in/sec)	FLOAT
0	0	0	0	0	0.080	ODE

* N O T E S *	INVERTER TORQUE: CONSTANT 10:1 INV. HP SPEED RANGE: 1.1 X BASE SPEED	
	ENCODER: NONE NONE NONE	
	NONE PPR	
	BRAKE: NONE NONE	

DATE: 1/31/2018	NONE NONE FT-LB: NA VOLTAGE: NONE UL: Y-(LEESON UL REC)
	HZ:

Data Sheet

Date: 1/31/2018

E110434.00



Data @ 460 V

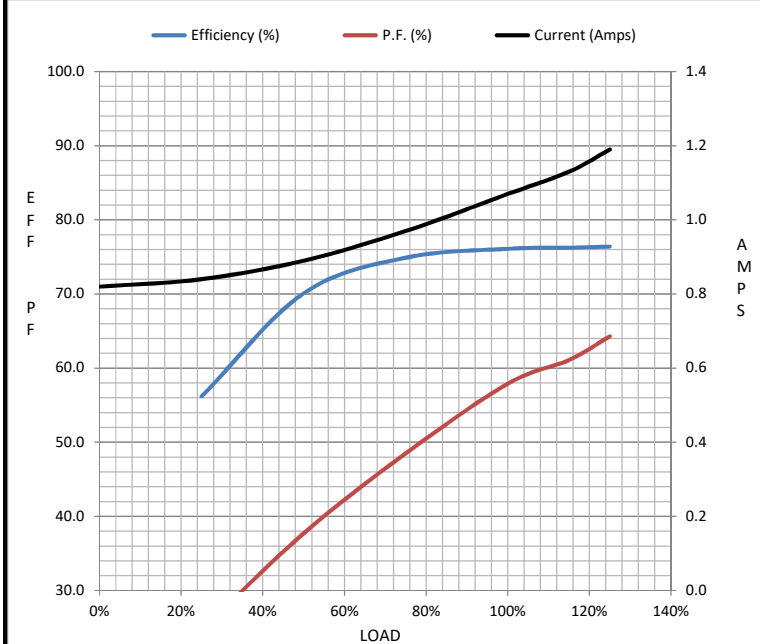
Motor Load Data

Load	0%	25%	50%	75%	100%	115%	125%	LR
Current (Amps)	0.82	0.84	0.89	0.97	1.07	1.13	1.19	5.0
Torque (ft-lb)	0.00	142	288	436	588	10,669	740	1,399
RPM	1440	1189	1178	1167	1153	1,147	1139	0
Efficiency (%)		56.2	70.1	74.9	76.1	76.3	76.4	
P.F. (%)	11.8	24.7	37.7	48.5	57.9	61.1	64.3	0.0

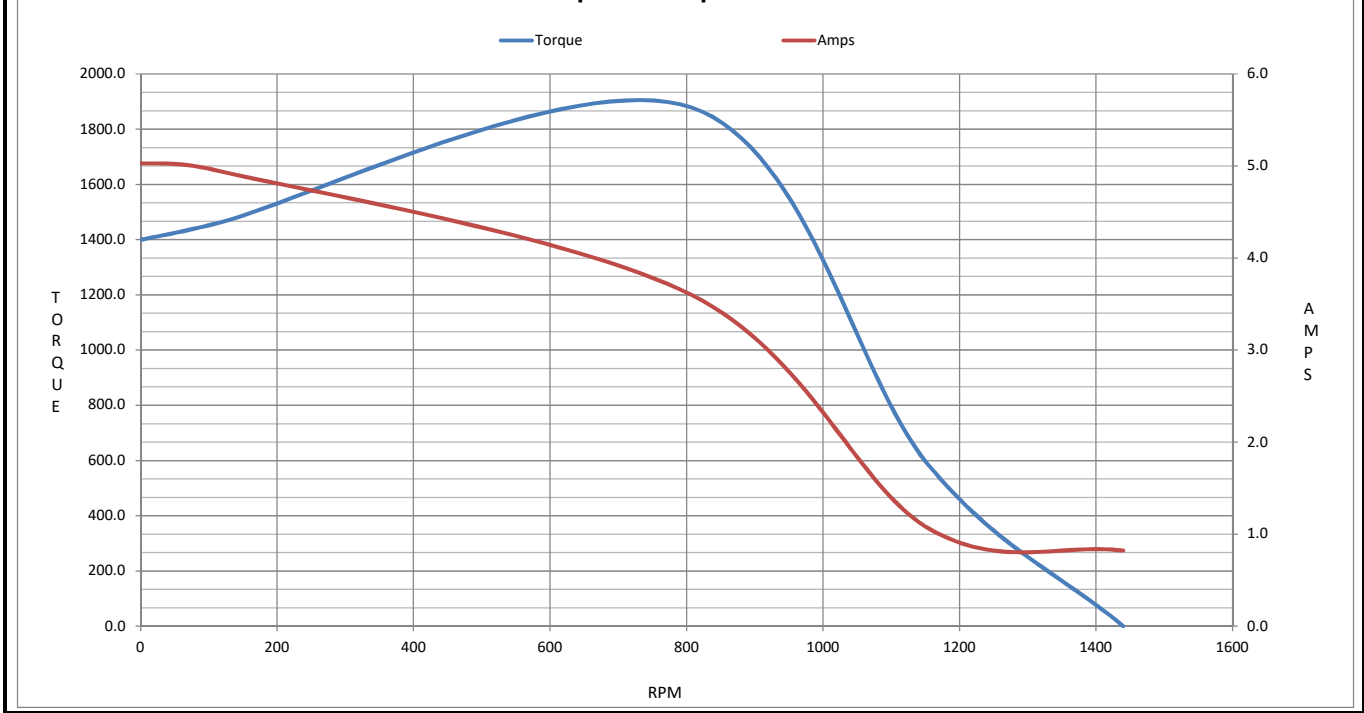
Motor Speed Data

	LR	Pull-Up	BD	Rated	Idle
Speed (RPM)	0	106	807	1153	1440
Current (Amps)	5.0	5.0	3.6	1.07	0.82
Torque (ft-lb)	1,399	1,455	1,879	588	0.00

Information Block				
HP	0.5			
Sync. RPM	1440			
Frame	56			
Enclosure	DP			
Construction	NA			
Voltage	230/460#190/380 V			
Frequency	60 Hz			
Design	B			
LR Code letter	J			
Service Factor	1.15			
Temp Rise @ FL	29 °C			
Duty	CONT			
Ambient	40 °C			
Elevation	1,000 feet			
Rotor/Shaft wk ²	0.00 Lb-Ft ²			
Ref Wdg	T636113 DR			
Sound Pressure @ 1M	0 dBA			
VFD Rating	CONSTANT 10:1			
Outline Dwg	607-0192-600			
Conn. Diag	005010.20			
Additional Specifications:				
0				
0				
EQUIV CKT (OHMS / PHASE)				
R1	R2	X1	X2	Xm
0.0000	0.0000	0.0000	0.0000	0.0000



Speed - Torque Curve



EC Declaration of Conformity

The undersigned representing
the manufacturer:

Regal Beloit America
100 East Randolph St.
Wausau, WI 54401

and the authorized representative
established within the Community:

Marathon Electric UK
6F Thistleton Road Ind. Estate
Market Overton
Oakham, Rutland LE15 7PP UK

are committed to providing customers with products that comply with applicable regulations and international protocols to which they are subject, including the requirements of the European Parliament Directive on the Harmonization of the laws relating to electrical equipment designed for use within certain voltage limits (2014/35/EU).

Regal Beloit America declares that the following product(s), to which this declaration relates, are in conformity with the relevant sections of the EC standards listed below.

This statement supersedes any statements previously issued pertaining to the product(s) listed below and is subject to change without notice.

Model No : E110434.00

(Model No. may contain prefix and/or suffix characters)

Catalog No : E110434.00

Rework No : N/A

Directives :

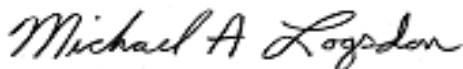
Low Voltage Directive 2014/35/EU

Harmonized Standards Used :

EN 60034-1: 2010 (IEC 60034-1: 2010)

EN 60034-5: 2001/A1:2007 (IEC 60034-5: 2000/A1:2006)

Authorized Representative:



Michael A. Logsdon
Vice President, Technology

Authorized Representative in the Community:



Julian Clark
Marketing Engineer

Created on 09/06/2022

CE 22