

PRODUCT INFORMATION PACKET

Model No: 5KC39RN44X

Catalog No: C334

Fan and Blower Motor, 1 HP, 1 Ph, 60 Hz, 115/208-230 V, 3600 RPM, 56C Frame, DP



Regal and Marathon are trademarks of Regal Rexnord Corporation or one of its affiliated companies.

©2022 Regal Rexnord Corporation, All Rights Reserved. MC017097E

Nameplate Specifications

Output HP	1 Hp	Output KW	0.75 kW
Frequency	60 Hz	Voltage	115/208-230 V
Current	13.2,6.5-6.6 A	Speed	3450 rpm
Service Factor	1.4	Phase	1
Efficiency	68.1 %	Power Factor	0
Duty	Continuous	Insulation Class	B
KVA Code	J	Frame	56C
Enclosure	Drip Proof	Thermal Protection	Automatic
Ambient Temperature	40 °C	Drive End Bearing Size	6203
Opp Drive End Bearing Size	6203	UL	Recognized
CSA	Yes	CE	N
Number of Speeds	1		

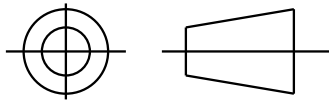
Technical Specifications

Electrical Type	Capacitor Start Induction Run	Starting Method	SM
Poles	2	Rotation	Clockwise/Counterclockwise
Mounting	Round	Motor Orientation	ANY
Drive End Bearing	LOCKED	Opp Drive End Bearing	Ball
Frame Material	Rolled Steel	Overall Length	12.59 in
Frame Length	8.5 in	Shaft Diameter	0.630 in
Shaft Extension	1.88 in	Thru-bolts Extension	0 in
Connection Drawing	52A105383AA	Outline Drawing	52A102689P7

This is an uncontrolled document once printed or downloaded and is subject to change without notice. Date Created:11/28/2022

SHEET 11
 REV 11
 SIZE DRAWING NO. 52A102689
 A

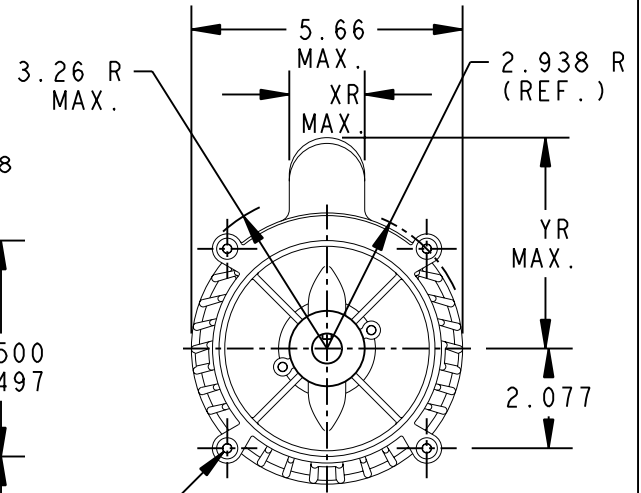
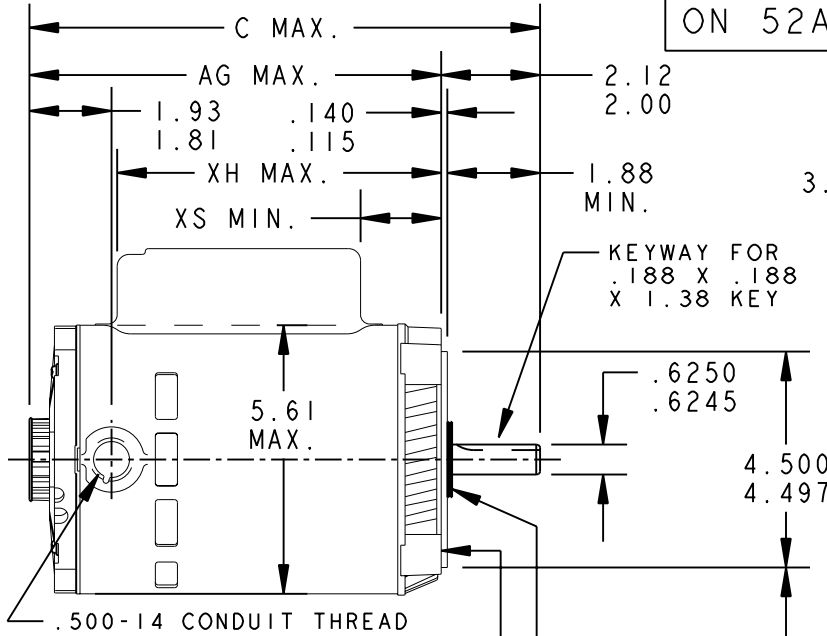
THIRD ANGLE PROJECTION



REVISIONS

REV.	DESCRIPTION	DATE	APPROVED
9	1.88 MIN. WAS 1.88 MAX	07/30/92	BLJ
10	FORMAT CHG PER ISAAC 05-1777	01/06/06	RAJKUMAR
11	UPDATED AS PER ISAAC 06-0816	04/06/06	ARCHANA

CONTINUED
ON 52A105698



FACE RUNOUT (WITH INDICATOR MOUNTED STATIONARY RELATIVE TO SHAFT) MUST NOT EXCEED .004 T.I.R.

WATER SLINGER (WHEN SPECIFIED)

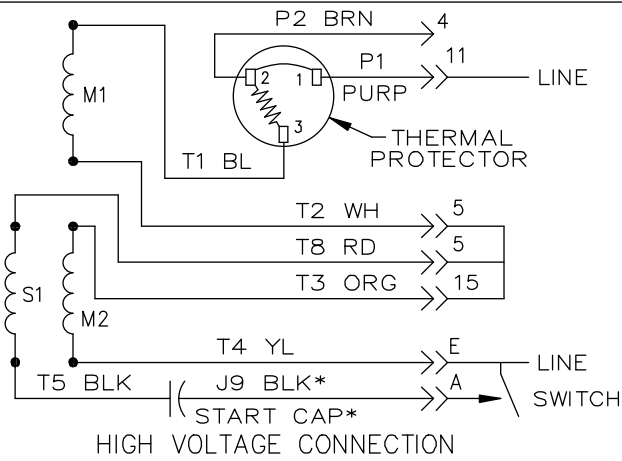
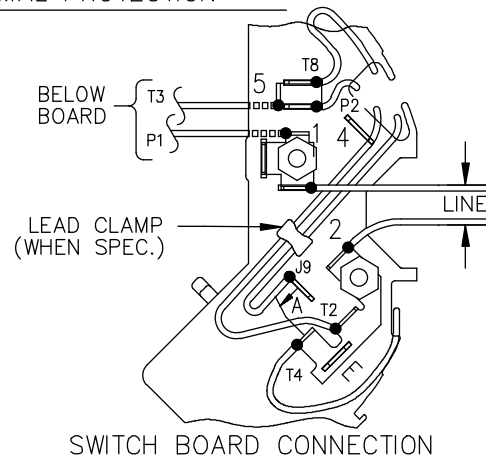
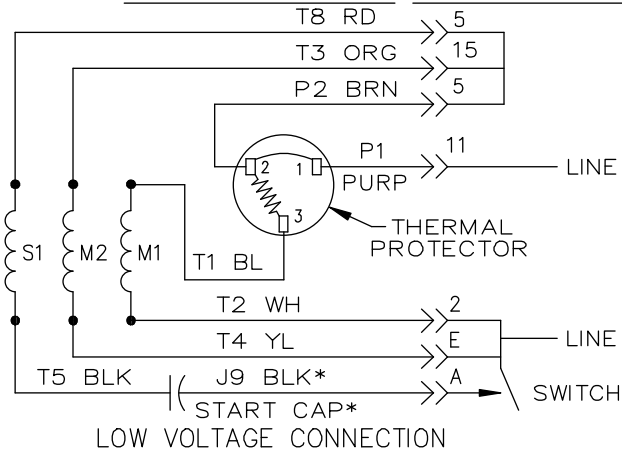
ECCENTRICITY OF THIS SURFACE (WITH INDICATOR MOUNTED STATIONARY RELATIVE TO SHAFT) MUST NOT EXCEED .004 T.I.R.

.375-16 UNC-2B (4 HOLES) .82 MIN. FULL THD. THESE HOLES FIT A GAGE HAVING A RABBET 4.5005 DIA. AND 4 PINS .2917 DIA. LOCATED ON THE BASIC HOLE POSITIONS.

8	KC	39	56C	12.59	10.49	2.66	8.32	1.60	4.34	8.50
7	KC	39	56C	12.59	10.49	3.27	8.91	1.60	4.34	8.50
6	KC	39	56C	11.84	9.74	2.52	8.16	1.60	4.34	7.75
5	KC	38	56C	11.31	9.21	1.99	7.63	1.60	4.34	
4	KC	37	56C	10.71	8.61	1.39	7.03	1.60	4.34	
3	KC	36	56C	10.31	8.21	1.39	6.63	1.60	4.34	
2	KC	37	56C	10.71	8.61	1.39	7.03	2.22	4.96	
1	KC	39	56C	12.59	10.49	3.02	8.66	1.60	4.34	8.50
P	TYPE	GE SIZE	NEMA FR	C	AG	XS	XH	XR	YR	SHELL REF.

FOR ADDITIONAL INFO REFER TO: APPLIED PRACTICES DIMENSIONS ARE IN INCHES ✓ MATERIAL	SIGNATURES		DATE	<p>REGAL-BELOIT CORPORATION</p> <p>TITLE</p> <p>OUTLINE</p> <p>FORM N - PUMP MOTOR - DRIP PROOF - R2 END MOUNTED SLEEV & BALL BEARING - FMF:5KC37MN134T</p>
	MODEL B.A.C.		04/24/78	
	DETAIL		.	
	CHECKED		.	
	ENGRG		.	
MFG		.		
QUALITY		.		
ISSUED B.L.J.		03/23/92		
SOLID MODEL: 52A102689				
SCALE: 0.250		REF. No: .		
		SHEET 1 of 1		

EITHER ROTATION, DUAL VOLTAGE, TYPE KC OR KH, WITH THERMAL PROTECTION



NOTE #1 - START CAP & J9 WHEN SPECIFIED (*). IF NO CAPACITOR (KH), CONNECT T5 DIRECTLY TO SWITCH (A). WHEN MORE THAN ONE CAPACITOR IS USED, CONNECT IN PARALLEL.

NOTE #2 - TO REVERSE ROTATION, INTER CHANGE RD(T8) AND BLK(J9-KC OR T5-KH) LEADS.

SWITCH REF. - 115D958AB	CONNECTION LABEL	CCW ROTATION: NP52X332051AA
		CW ROTATION: NP52X332051AC

NO.	REVISION	BY & DATE	CHK	TOLERANCES UNLESS SPECIFIED		FINISH	DRAWN	M.D.P	DATE	
				DEC.	INCHES					
				.X	±0.1				06/29/87	
				.XX	±0.02					
5	ADDED CONNECTION LABEL PER ECO-0030779	UD 02/06/13	PKG	.XXX	±0.005				CHK	
4	UPDATED PER ISO7-0150	MD 01/23/07		.XXXX	±0.0005	MAT'L.			APPD M.D.P 03/26/96	
				ANG	±1.0				SCALE 1=1	
						TITLE	CONNECTION DIAGRAM		REF	
							30 FRAME SWITCH REDESIGN		FMF	
									PREV	
THIS DRAWING IN DESIGN AND DETAIL IS OUR PROPERTY AND MUST NOT BE USED EXCEPT IN CONNECTION WITH OUR WORK. ALL RIGHTS OF DESIGN AND INVENTION ARE RESERVED. THIS IS AN ELECTRONICALLY GENERATED DOCUMENT - DO NOT SCALE THIS PRINT				RFP		CAD FILE	52A105383AA	SIZE	DRAWING NO.	REV.
				DIST				A	52A105383AA	5

