

PRODUCT INFORMATION PACKET

Model No: 048A17T2001

Catalog No: X305

Fan and Blower Motor, 0.17 HP, 1 Ph, 60 Hz, 115 V, 1800 RPM, 48Z Frame, TEAO



Regal and Marathon are trademarks of Regal Rexnord Corporation or one of its affiliated companies.

©2022 Regal Rexnord Corporation, All Rights Reserved. MC017097E

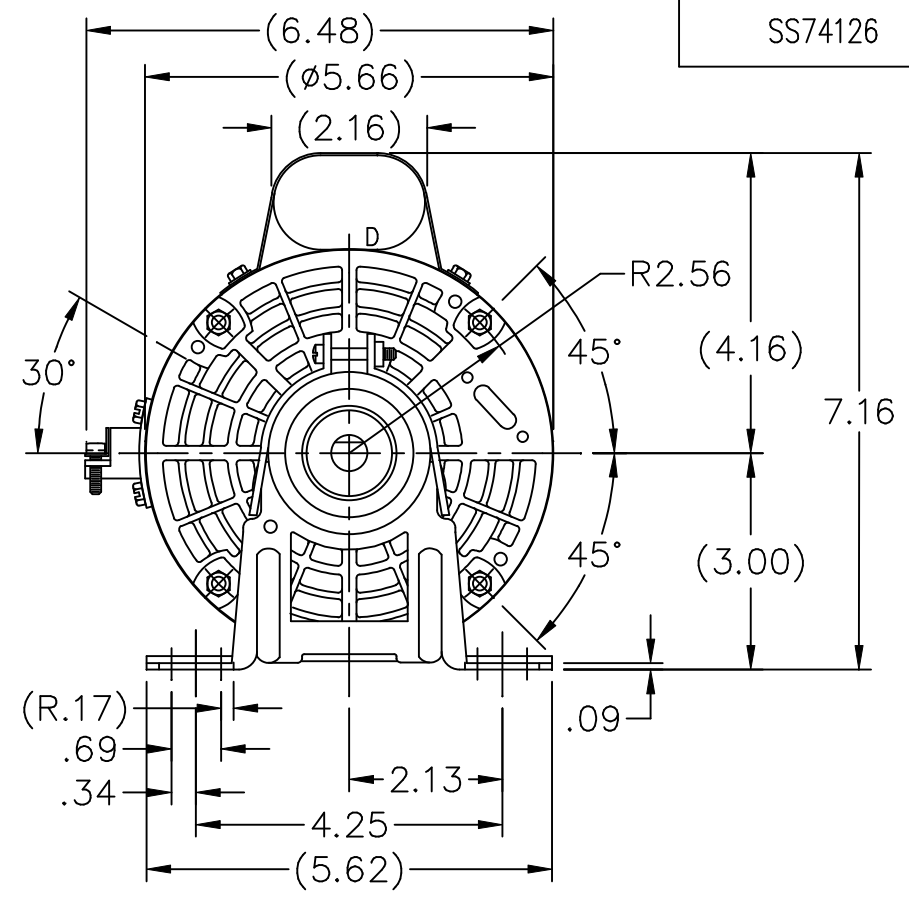
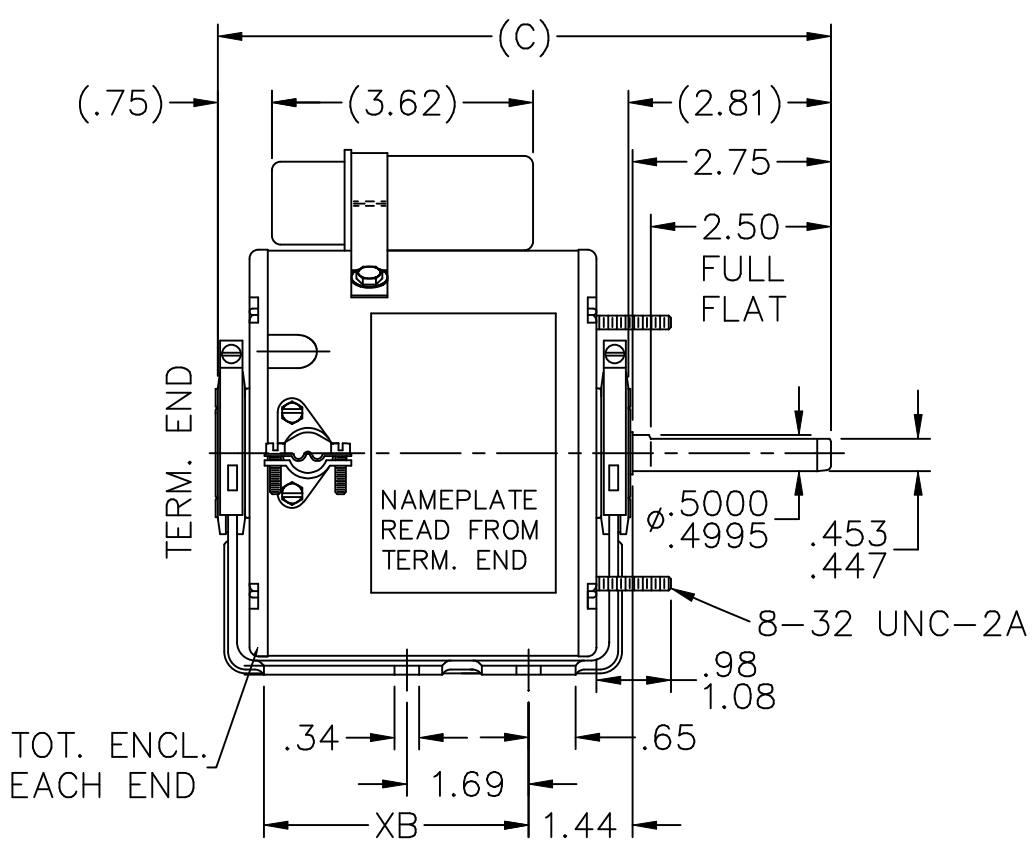
Nameplate Specifications

Output HP	0.17 Hp	Output KW	0.13 kW
Frequency	60 Hz	Voltage	115 V
Current	2.2 A	Speed	1625 rpm
Service Factor	1	Phase	1
Efficiency	55 %	Power Factor	89.4
Duty	Continuous	Insulation Class	B
Design Code	NO DESIGN CODE	KVA Code	C
Frame	48Z	Enclosure	Totally Enclosed Air Over
Thermal Protection	Automatic	Ambient Temperature	40 °C
Drive End Bearing Size	6203	Opp Drive End Bearing Size	6203
UL	Recognized	CSA	Y
CE	N	IP Code	43
Number of Speeds	1		

Technical Specifications

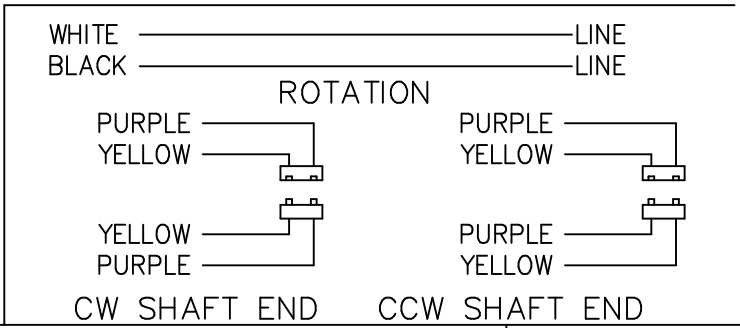
Electrical Type	Permanent Split Capacitor	Starting Method	Across The Line
Poles	4	Rotation	Selective Counterclockwise
Resistance Main	0 Ohms	Mounting	Resilient Base - Extended Studs
Motor Orientation	Horizontal	Drive End Bearing	Ball
Opp Drive End Bearing	Ball	Frame Material	Rolled Steel
Shaft Type	Single Special Extension	Overall Length	8.50 in
Frame Length	4.25 in	Shaft Diameter	0.500 in
Shaft Extension	2.81 in	Assembly/Box Mounting	F1 ONLY
Connection Drawing	9513130	Outline Drawing	A-SS74126-425

SS74126



LEAD DESCRIPTION:
 1 BLACK AND 1 WHITE LEAD WITH .50 BARE WIRE STRIP EXIT MOTOR THROUGH CONDUIT CONNECTOR WITH ADJUSTABLE THROAT OPENING. 35.00-37.00" LONG PURPLE AND YELLOW REVERSING LEADS MOLDED INTO MATING PULL-APART PLUGS. 4.00-6.00 LONG.

DASH	C	XB
425	8.50	3.67
475	9.00	4.17



NO.	REVISION	BY & DATE	CHK	TOLERANCES UNLESS SPECIFIED	
				DEC.	INCHES
				.X	±.1
4	REVISED MOUNTING HOLE LOCATIONS	RJW 07-12-2005	ML	.XX	±.03
3	REDRAWN IN AUTOCAD	TAT 05-19-2005	ML	.XXX	±.005
2	REDRAWN ON CADD - NO CHANGE	MRB 04-01-1998		.XXXX	±.0005
				ANG	±7'30"



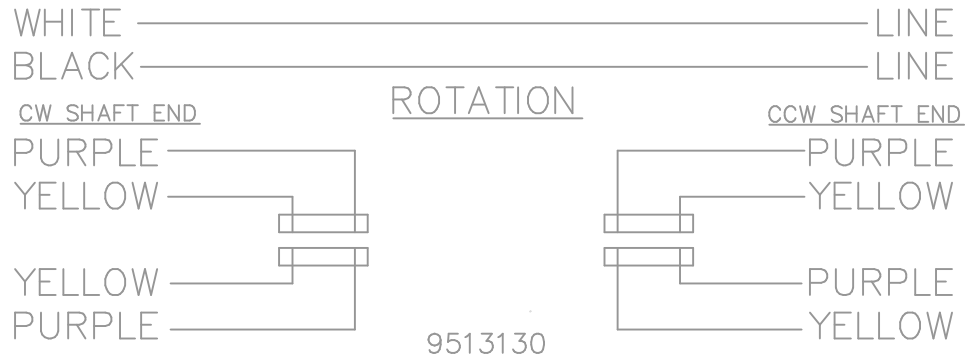
DRAWN MRB 03-10-1998
CHK ML 04-01-1998
APPD GK 04-01-1998
SCALE 3=8
REF
FMF
PREV

THIS DRAWING IN DESIGN AND DETAIL IS OUR PROPERTY AND MUST NOT BE USED EXCEPT IN CONNECTION WITH OUR WORK ALL RIGHTS OF DESIGN AND INVENTION ARE RESERVED THIS IS AN ELECTRONICALLY GENERATED DOCUMENT - DO NOT SCALE THIS PRINT	RFP	CAD FILE ss74126	SIZE A	DRAWING NO. SS74126	PAGE OF	REV. 4
	DIST WP					

```
ERROR: syntaxerror  
OFFENDING COMMAND: --nostringval--
```

```
STACK:
```

```
/initialize  
-dictionary-  
/Pscript_WinNT_Compat  
-dictionary-
```



				TOLERANCES UNLESS SPECIFIED			DRAWN TOM 09/19/1988		
				DEC.	INCHES		CHK		
				.X	±.1		APPD MS 09/20/1988		
				.XX	±.02		SCALE 1=1		
3	REDRAWN IN AUTOCAD	JMS 03/11/2005		.XXX	±.005	TITLE CONNETION DIAGRAM		REF	
2	NEW DRAWING	TOM 09/19/1988		.XXXX	±.0005	MAT'L.		FMF	
NO.	REVISION	BY & DATE	CHK	ANG	±7'30"	FINISH		PREV	
THIS DRAWING IN DESIGN AND DETAIL IS OUR PROPERTY AND MUST NOT BE USED EXCEPT IN CONNECTION WITH OUR WORK ALL RIGHTS OF DESIGN AND INVENTION ARE RESERVED THIS IS AN ELECTRONICALLY GENERATED DOCUMENT - DO NOT SCALE THIS PRINT				RFP	CAD FILE 9513130		SIZE	DRAWING NO. PAGE OF	REV.
				DIST WP			A	9513130	

CERTIFICATION DATA SHEET

Model#: 48A17T2001 D WINDING#: PE484158 NONE 1
 CONN. DIAGRAM: 9513130 ASSEMBLY: F1 ONLY
 OUTLINE: A-SS74126-425

TYPICAL MOTOR PERFORMANCE DATA

HP	KW	SYNC. RPM	F.L. RPM	FRAME	ENCLOSURE	KVA CODE	DESIGN
1/6	0.13	1800	1625	48Z	TEAO	C	NO DESIGN CODE

PH	Hz	VOLTS	FL AMPS	START TYPE	DUTY	INSL	S.F	AMB°C	ELEVATION
1	60	115	2	ACROSS THE LINE	CONTINUOUS	B3	1.0	40	3300

FULL LOAD EFF: 55.0	3/4 LOAD EFF: -	1/2 LOAD EFF: -	GTD. EFF	ELEC. TYPE	NO LOAD AMPS
FULL LOAD PF: -	3/4 LOAD PF: -	1/2 LOAD PF: -	-	PSC 1 SPEED	1

F.L. TORQUE	LOCKED ROTOR AMPS	L.R. TORQUE	B.D. TORQUE	F.L. RISE°C
8.7 LB-FT	5.5	4.1 LB-FT -	12.5 LB-FT -	-

SOUND PRESSURE @ 3 FT.	SOUND POWER	ROTOR WK^2	MAX. WK^2	SAFE STALL TIME	STARTS /HOUR	APPROX. MOTOR WGT
- dBA	- dBA	- LB-FT^2	- LB-FT^2	- SEC.	-	- LBS.

*** SUPPLEMENTAL INFORMATION ***

DE BRACKET TYPE	ODE BRACKET TYPE	MOUNT TYPE	ORIENTATION	SEVERE DUTY	HAZARDOUS LOCATION	DRIP COVER	SCREENS	PAINT
STANDARD	STANDARD	RESILIENT BASE-EXTENDED STUDS	HORIZONTAL	FALSE	NONE	FALSE	NONE	GRAY (POWDER)

BEARINGS		GREASE	SHAFT TYPE	SPECIAL DE	SPECIAL ODE	SHAFT MATERIAL	FRAME MATERIAL
DE	OPE						
BALL	BALL	MULTEMP SRL	SGL SPL EXT	0.500 x 2.75 WITH 2.50 FULL FLAT	NONE	1144 STRESSPROOF (C-223)	ROLLED STEEL
6203	6203						

THERMO-PROTECTORS				THERMISTORS	CONTROL	SPACE /n HEATERS
THERMOSTATS	PROTECTORS	WDG RTDs	BRG RTDs			
NONE	AUT LCK RTR ONLY	NONE	NONE	NONE	FALSE	NONE VOLTS

If Inverter equals NONE, contact factory for further information

INVERTER TORQUE: NONE
INV. HP SPEED RANGE: NONE
ENCODER: NONE
NONE NONE
NONE NONE PPR
BRAKE: NONE NONE
NONE P/N NONE
NONE NONE
NONE FT-LB NONE V NONE Hz

*
N
O
T
E
S
*

** Subject to change without notice.